

HD Bullet Camera with Adaptive Video Analytics

AVIGILON

Avigilon's end-to-end surveillance solutions deliver image detail no other system can match. Avigilon™ Control Center software, featuring High Definition Stream Management (HDSM)™ technology combined with our broad range of megapixel cameras (from 1 MP to 29 MP) provide unprecedented clarity—while effectively managing storage and bandwidth requirements. Our components are scalable and can work together in an end-to-end system, or can be customized to create your own powerful and cost-effective solution.

The innovative HD Bullet camera is just one way Avigilon can help provide the very best monitoring and protection.



The HD Bullet camera with adaptive video analytics brings together Avigilon's world renowned camera technology with video analytics. The combination of instant and accurate object detection and classification alerts, with the identification performance of high-definition video, provides users with an unmatched level of perimeter protection to keep both personnel and assets safe. Equipped with built-in adaptive infrared (IR) illumination, our HD Bullet cameras increase in-the-dark detection and visibility without using a visible light source.

KEY FEATURES

Advanced video pattern detection analytics
Available with 3-9 mm or 9-22 mm P-Iris lens with remote focus and zoom
Up to 30 images per second
Wide Dynamic Range
SD card slot for onboard storage support
Integrated IR (Infrared) LEDs provide uniform illumination in the dark, even at 0 lux, up to maximum of 200 ft (60 m) away
Zoom and content adaptive IR provides the most effective illumination at all zoom positions, while maintaining optimum scene illumination
PoE (Power over Ethernet) enables operating temperatures of -40°C to 50°C (-40°F to 122°F) with no auxiliary power required.
Additional configuration Ethernet port for easy installation
Vandal resistant construction and IP66 compliant
ONVIF compliant with version 2.2.0 of the Analytics Service Specification

Specifications

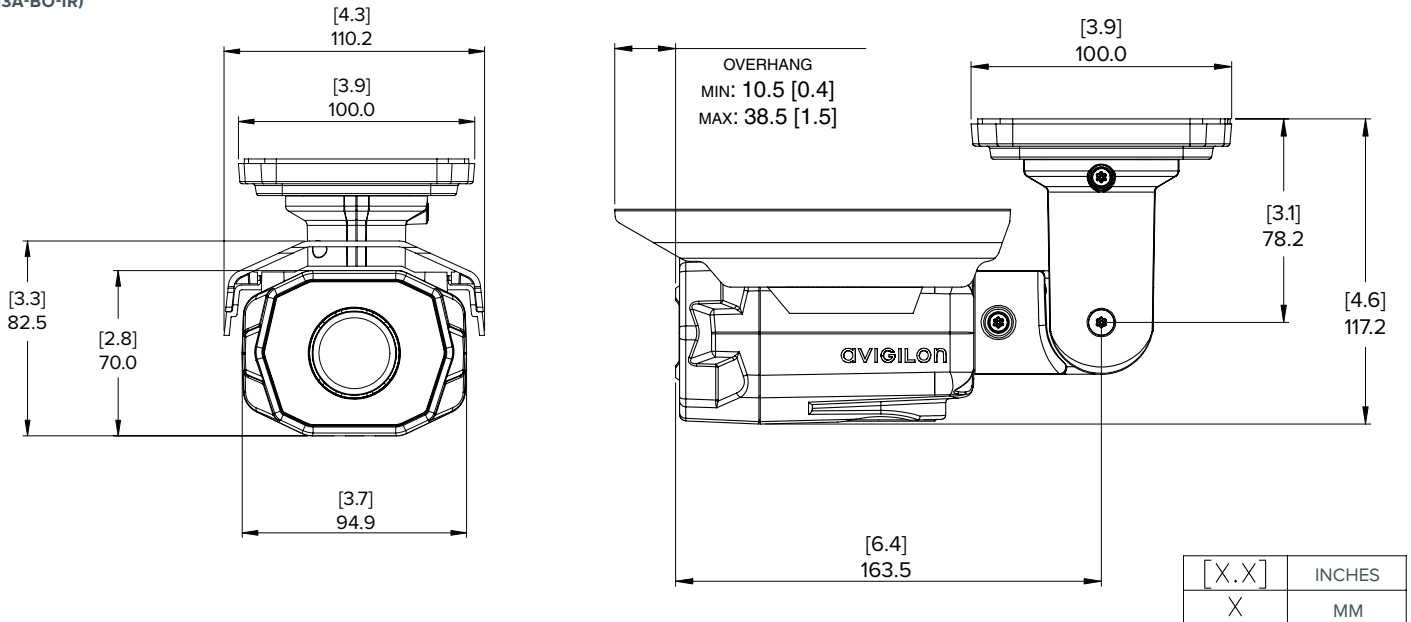
HD VIDEO ANALYTICS CAMERA

VIDEO ANALYTICS SUPPORT	Advanced Video Pattern Detection								
VIDEO ANALYTICS RULES	People or vehicle moving in an area			People or vehicle crossing a beam			People or vehicle loitering in an area		
	Person or vehicle stopped			Dwell time			Person or vehicle enters/leaves an area		
	Person or vehicle moving in a prohibited direction of travel			Too many or too few persons in a secured area					
IMAGE PERFORMANCE		1.0 MP		2.0 MP		3.0 MP			
	Image Sensor	WDR 1/3" progressive scan CMOS							
	Active Pixels	1280 (H) x 720 (V)		1920 (H) x 1080 (V)		2048 (H) x 1536 (V)			
	Imaging Area	4.2 mm (H) x 2.4 mm (V); 0.165"(H) x 0.094"(V)				4.5 mm (H) x 3.4 mm (V); 0.177" (H) x 0.133" (V)			
	Illuminator Technology	High-power IR LEDs							
	IR Illumination	3-9 mm lens:	850 nm wavelength, 30 m (100 ft) max. distance of IR illumination at 0 lux with auxiliary power or PoE						
		9-22 mm lens:	850 nm wavelength, 60 m (200 ft) max. distance of IR illumination at 0 lux with auxiliary power or PoE						
	Minimum Illumination	3-9 mm lens:	0.2 lux (F1.2) in color mode; 0 lux in monochrome mode with IR						
		9-22 mm lens:	0.4 lux (F1.6) in color mode; 0 lux in monochrome mode with IR						
	Dynamic Range	100 dB							
Image Rate	30 fps (all resolutions)				20 fps (at full resolution); 30 fps (at 1920 x 1080 or smaller)				
LENS	Lens	3-9 mm, F1.2, P-Iris, remote focus and zoom							
		9-22 mm, F1.6, P-Iris, remote focus and zoom							
	Angle of View								
		3-9 mm lens:	26° - 79°			28° - 84°			
	9-22 mm lens:	11° - 26°			11° - 28°				
IMAGE CONTROL	Image Compression Method	H.264 (MPEG-4 Part 10/AVC), Motion JPEG							
	Streaming	Multi-stream H.264 and Motion JPEG							
	Motion Detection	Pixel and classified objects							
	Camera Tampering Detection	Yes							
	Electronic Shutter Control	Automatic, Manual (1/6 to 1/8000 sec)							
	Iris Control	Automatic, Manual							
	Day/Night Control	Automatic, Manual							
	Flicker Control	50 Hz, 60 Hz							
	White Balance	Automatic, Manual							
	Backlight Compensation	Adjustable							
	Privacy Zones	Up to 64 zones							
	Audio Compression Method	G.711 PCM 8 kHz							
	Audio Input/Output	Line level input and output							
	External I/O Terminals	Alarm In, Alarm Out							
NETWORK	Network	100BASE-TX							
	Cabling Type	CAT5							
	Connector	RJ-45							
	ONVIF	ONVIF compliant with version 1.02, 2.00, Profile S and 2.2.0 of the Analytics Service Specification (*bounding boxes and scene descriptions not available with third-party VMS)							
	Security	Password protection, HTTPS encryption, digest authentication, WS authentication, user access log, 802.1x port based authentication							
	Protocol	IPv4, HTTP, HTTPS, SOAP, DNS, NTP, RTSP, RTCP, RTP, TCP,UDP, IGMP, ICMP, DHCP, Zeroconf, ARP							
	Streaming Protocols	RTP/UDP, RTP/UDP multicast, RTP/RTSP/TCP, RTP/RTSP/HTTP/TCP, RTP/RTSP/HTTPS/TCP, HTTP							
	MECHANICAL	Dimensions (LxWxH)	241.7 mm x 94.9 mm x 70 mm; 9.5" x 3.7" x 2.8"						
Weight		1.15 kg (2.5 lbs)							
Body		Aluminum							
Housing		Surface mount, tamper resistant							
Finish		Powder coat, cool gray 2							
Adjustment Range		±175° pan, -45° to +90° tilt, ±175° azimuth							
Onboard Storage		SD/SDHC/SDXC slot – minimum class 4; class 6 or better recommended							
ELECTRICAL	Power Consumption	22 W with external power or IEEE802.3at Class 4 PoE Plus			12.95 W with IEEE 802.3af Class PoE				
	Power Source	VDC: 12 V +/- 10%, 22 W min	VAC: 24 V +/- 10%, 28 VA min		PoE: IEEE802.3af Class 3 compliant		PoE+: IEEE802.3at Class 4 PoE Plus		
ENVIRONMENTAL	Operating Temperature	-40 °C to +50 °C (-40 °F to 122 °F)							
	Storage Temperature	-40 °C to +70 °C (-40 °F to 158 °F)							
CERTIFICATIONS	Safety	UL 60950	CSA 60950	CB Scheme	UVV	CE	ROHS	WEEE	C-Tick
	Environmental	IK10 Impact Rating			Meets IP66 Weather Rating				
	Electromagnetic Emissions	FCC Part 15 Subpart B Class B		IC ICES-003 Class B		EN 55022 Class B			
	Electromagnetic Immunity	EN 55024	EN 61000-4-2	EN 61000-4-3	EN 61000-4-4	EN 61000-4-5	EN 61000-4-6	EN 61000-4-11	

Outline Dimensions

HD Bullet Camera

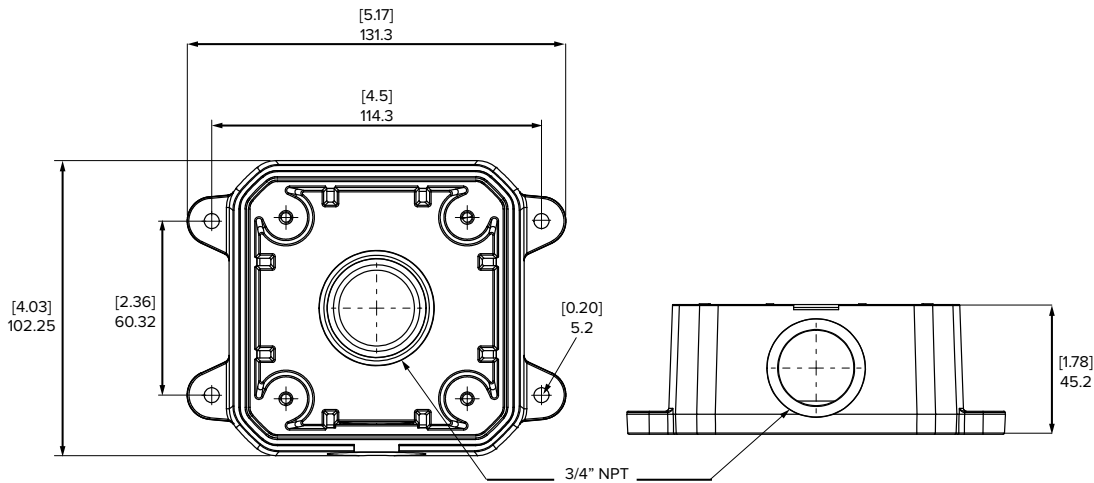
(H3A-BO-IR)



HD VIDEO ANALYTICS CAMERA

HD Bullet Camera Junction Box

(H3-BO-JB)



Ordering Information

1.0W-H3A-BO1-IR	1.0 Megapixel WDR 3-9 mm HD Bullet Camera with Adaptive Video Analytics
1.0W-H3A-BO2-IR	1.0 Megapixel WDR 9-22 mm HD Bullet Camera with Adaptive Video Analytics
2.0W-H3A-BO1-IR	2.0 Megapixel WDR 3-9mm HD Bullet Camera with Adaptive Video Analytics
2.0W-H3A-BO2-IR	2.0 Megapixel WDR 9-22 mm HD Bullet Camera with Adaptive Video Analytics
3.0W-H3A-BO1-IR	3.0 Megapixel WDR 3-9 mm HD Bullet Camera with Adaptive Video Analytics
3.0W-H3A-BO2-IR	3.0 Megapixel WDR 9-22 mm HD Bullet Camera with Adaptive Video Analytics
H3-BO-JB	Junction box for the H3-BO-IR HD Bullet Cameras
MNT-AD-POLE-B	Aluminum pole mounting bracket for dome cameras using Pendant Mount Brackets and HD Bullet Cameras
MNT-AD-CORNER	Aluminum corner mounting bracket for dome cameras using Pendant Mount Brackets and HD Bullet Cameras