

Installation Guide

Avigilon High Definition H.264 IP Camera Models:

1.0W-H3-B01-IR, 1.0W-H3-B02-IR, 2.0W-H3-B01-IR, 2.0W-H3-B02-IR, 3.0W-H3-B01-IR, 3.0W-H3-B02-IR, 5.0-H3-B01-IR and 5.0-H3-B02-IR

Important Safety Information

This manual provides installation and operation information and precautions for the use of this camera. Incorrect installation could cause an unexpected fault. Before installing this equipment read this manual carefully. Please provide this manual to the owner of the equipment for future use.



The Warning symbol indicates the presence of dangerous voltage within and outside the product enclosure that may constitute a risk of electric shock, serious injury or death to persons if proper precautions are not followed.



The Caution symbol alerts the user to the presence of hazards that may cause minor or moderate injury to persons, damage to property or damage to the product itself if proper precautions are not followed.



Warning — Failure to observe the following instructions may result in severe injury or death.

- Installation must be performed by qualified personnel only, and must conform to all local codes.
- This product is intended to be supplied by a UL Listed Power Unit marked “Class 2” or “LPS” or “Limited Power Source” with output rated 12 VDC or 24 VAC, 22 W min. or Power over Ethernet (PoE), rated 48 VDC, 22 W min.
- Any external power supply connected to this product may only be connected to another Avigilon product of the same model series. External power connections must be properly insulated.
- Do not connect directly to mains power for any reason.



Caution — Failure to observe the following instructions may result in injury or damage to the camera.

- Do not install near any heat sources such as radiators, heat registers, stoves, or other sources of heat.
- Do not subject the cables to excessive stress, heavy loads or pinching.
- Do not open or disassemble the device. There are no user serviceable parts.
- Refer all servicing to qualified personnel. Servicing may be required when the device has been damaged (such as from a liquid spill or fallen objects), has been exposed to rain or moisture, does not operate normally, or has been dropped.
- Do not use strong or abrasive detergents when cleaning the device body.
- Use only accessories recommended by Avigilon.
- Use of controls or adjustments or performance of procedures other than those specified in this document may result in hazardous radiation exposure.

Regulatory Notices

This device complies with part 15 of the FCC Rules. Operation is subject to the following two conditions: (1) This device may not cause harmful interference, and (2) this device must accept any interference received, including interference that may cause undesired operation.

This Class B digital apparatus complies with Canadian ICES-003.

FCC Notice

This equipment has been tested and found to comply with the limits for a Class B computing device pursuant to Subpart B of Part 15 of FCC rules, which are designed to provide reasonable protection against such interference when operated in a commercial environment. Operation of this equipment in a residential area is likely to cause interference, in which case the user at his/her own expense will be required to take whatever measures may be required to correct the interference.

Changes or modifications made to this equipment not expressly approved by Avigilon Corporation or parties authorized by Avigilon Corporation could void the user's authority to operate this equipment.

Disposal and Recycling Information

When this product has reached the end of its useful life, please dispose of it according to your local environmental laws and guidelines.

European Union:



This symbol means that according to local laws and regulations your product should be disposed of separately from household waste. When this product reaches its end of life, take it to a collection point designated by local authorities. Some collection points accept products for free. The separate collection and recycling of your product at the time of disposal will help conserve natural resources and ensure that it is recycled in a manner that protects human health and the environment.

Other Notices

Compilation and Publication Notice

This manual has been compiled and published covering the latest product descriptions and specifications. The contents of this manual and the specifications of this product are subject to change without notice. Avigilon reserves the right to make changes without notice in the specifications and materials contained herein and shall not be responsible for any damages (including consequential) caused by reliance on the materials presented, including but not limited to typographical and other errors relating to the publication.

Intellectual Property Notice

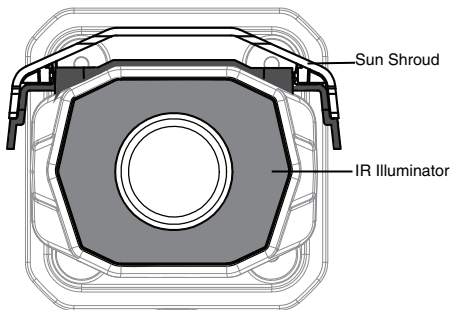
No license is granted by implication or otherwise under any industrial design, industrial design rights, patent, patent rights, or copyrights of Avigilon Corporation or its licensors. Trademarks and registered trademarks are the property of their respective owners.

Table of Contents

Overview	1
Front View	1
Bottom View	2
Side View	3
Installation	4
Camera Package Contents	4
Installation Steps	4
Adding the Mounting Holes	4
Connecting Cables	5
Mounting the Camera	5
Assigning an IP Address	6
Accessing the Live Video Stream	6
Aiming the Camera	7
Focusing the Camera	8
For More Information	8
Connecting to External Devices	9
LED Indicators	10
Removing the Sun Shroud	11
Reinstalling the Sun Shroud	11
Reset to Factory Default Settings	12
Setting the IP Address Through the ARP/Ping Method	13
Specifications	14
Limited Warranty & Technical Support	15

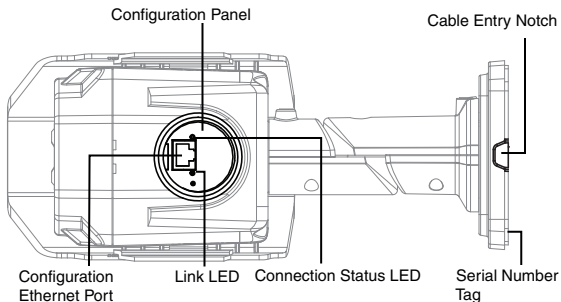
Overview

Front View



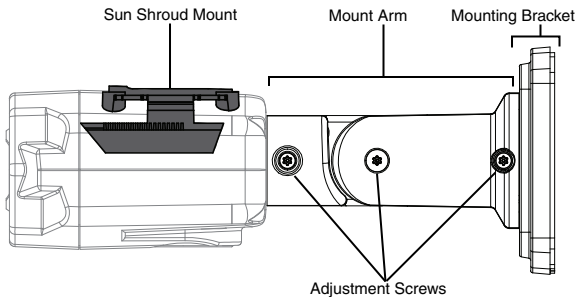
Feature	Description
Sun Shroud	An adjustable cover to help protect the lens against glare from the sun.
IR Illuminator	Provides scene illumination in the IR spectrum.

Bottom View



Feature	Description
Configuration Panel	Quick access port for configuring the camera during installation. To access the Configuration Panel, remove the plug with the supplied opening tool.
Configuration Ethernet Port	A secondary Ethernet port for configuring the camera. Does not accept PoE.
Link LED	Indicates if there is an active connection in the Ethernet port. The light is On when there is an active network connection.
Connection Status LED	Provides information about device operation. See <i>LED indicators</i> for more information.
Cable Entry Notch	An entry notch for network, power and I/O cables.
Serial Number Tag	Product serial number and part number label.

Side View



Feature	Description
Sun Shroud Mount	Mounting bracket for the sun shroud.
Mount Arm	Adjustable mount arm for positioning the camera.
Mounting Bracket	Allows the camera to be flush mounted or surface mounted.
Adjustment Screws	Provides a locking mechanism for the mount arm.

Installation

Camera Package Contents

Ensure the package contains the following:

- Avigilon High Definition IP Bullet Camera
- T20 TORX tamper resistant key
- 4 screws and anchors for solid walls
- Drill template sticker
- Configuration Panel opening tool

Installation Steps

Complete the following procedures to install the camera.

1. *Adding the Mounting Holes* on page 4
2. *Connecting Cables* on page 5
3. *Mounting the Camera* on page 5
4. *Assigning an IP Address* on page 6
5. *Accessing the Live Video Stream* on page 6
6. *Aiming the Camera* on page 7
7. *Focusing the Camera* on page 8

Adding the Mounting Holes

1. Use the drill template to drill four mounting holes in the ceiling or wall.
 - Only drill the optional center hole if you are flush mounting the camera. Once the center cable hole has been drilled, pull the required cables through.

Connecting Cables

To connect the cables required for proper operation, complete the following:

1. If there are external input or output devices that need to be connected to the camera (for example: door contacts, relays, speakers, etc), connect the devices to the camera's I/O connector cable.
For more information, see *Connecting to External Devices*.
2. Connect power using one of the following methods:
 - Power over Ethernet (PoE) Class 3 — If PoE is available, the camera is automatically detected when the network cable is connected.
 - External Power — Connect the camera to an external 12 VDC or 24 VAC power source through the auxiliary power cables.
3. Connect the Ethernet Port (RJ45 connector) to a network using an Ethernet network cable. The Link LED in the Configuration Panel under the camera will turn On once a network link has been established.
4. Check that the Connection Status LED in the Configuration Panel displays the correct state.
For more information, see *LED Indicators*.

Mounting the Camera

After the cable connections have been made, mount and secure the camera.

1. Tuck the extra lengths of cables away:
 - If you are flush mounting the camera, push the extra lengths of cable through the cable hole in the wall or ceiling.

- If you are surface mounting the camera, remove the mounting gasket and tuck the connected cables to one side through the cable entry notch in the mounting bracket. When installed outdoors, the cable entry notch must face downwards.
2. Ensure the mounting gasket is used when flush mounting the camera.

The gasket is required to maintain the mounting bracket's water resistance when installed outdoors.
 3. Drive the provided screws into the mounting holes and tighten the camera bracket to the mounting surface.

Assigning an IP Address

The camera automatically obtains an IP address by default. Once connected to a network, it attempts to locate and obtain an IP address from a DHCP server. If this fails, Zero Configuration Networking (Zeroconf) is used to choose an IP address. When the IP address is set using Zeroconf, the IP address is in the 169.254.0.0/16 subnet.

The IP address settings can be changed using one of the following methods:

- (Recommended) Avigilon Camera Installation Tool software application.
- Camera's web browser interface:
`http://<camera IP address>/`
- ARP/Ping method. For more information, see *Setting the IP Address through the ARP/Ping Method*.
- Network Video Management software application (for example, Avigilon Control Center).

NOTE: The default camera username is `admin` and the default password is `admin`.

Accessing the Live Video Stream

Live video stream can be viewed using one of the following methods:

- (Recommended) Avigilon Camera Installation Tool software application.
- Camera's web browser interface:
`http://<camera IP address>/`.
- Network Video Management software application (for example, Avigilon Control Center).

NOTE: The default camera username is *admin* and the default password is *admin*.

Aiming the Camera

1. (Optional) To help you aim the camera, you can connect an Ethernet cable to the secondary Ethernet port in the Configuration Panel.

Be aware that while the Configuration Ethernet Port is in use, the primary Ethernet port at the back of the camera will only be used for PoE.

Important: While the Configuration Ethernet Port is in use, the camera will only stream video and accept commands from the Configuration Ethernet Port. Also, the Indicator LEDs will only show the connection status for this Ethernet port.

2. To aim the camera, loosen the adjustment screws on the camera mount arm.
Only loosen the screws that can be rotated by the supplied tamper resistant key.
3. Rotate and move the camera and mount arm as required. Review the camera's live video stream to help aim the camera correctly.
4. Slide the sun shroud forward or back to protect the camera against glare from the sun. In outdoor installations, the sun shroud should be set as far forward as possible without intruding on the video image.
 - To move the sun shroud, hold down the black tabs on either side of the camera then slide the sun shroud forward or back.

5. Once satisfied, tighten the adjustment screws on the mount arm to secure the camera's position.
6. In the Avigilon Camera Installation Tool, adjust the camera's Image and Display settings to achieve the desired zoom position.

Focusing the Camera

- In the Avigilon Camera Installation Tool, use the camera's Image and Display settings to focus the camera lens.
 - a. Click the **Auto Focus** button to focus the lens.
 - b. If the desired focus was not achieved, use the focus near and far buttons to adjust the focus.

For More Information

Additional information about setting up and using the device is available in the following guides:

- *Avigilon Camera Installation Tool User Guide*
- *Avigilon Control Center Client User Guide*
- *Avigilon High Definition H.264 IP Camera User Guide*

The manuals are available on the Avigilon website: <http://avigilon.com/#/support-and-downloads>.

Connecting to External Devices

External devices are connected to the camera through the I/O cable. Refer to the following table for the connections.

NOTE: The camera can be connected to an external microphone and speaker through the I/O connector.

Table: External I/O Connections

Wire Color	Description
Yellow	Audio ground return
Brown	Audio input
Green	Audio output
Grey	Relay ground return
Pink	Relay output 1
Red	Relay input 1
Purple	+12 V output for relay drive

NOTE: The 12 V connection can be used to energize a relay coil with up to 50 mA. If more than 50 mA is required, an external power supply up to 25 VDC at 120 mA can be used.

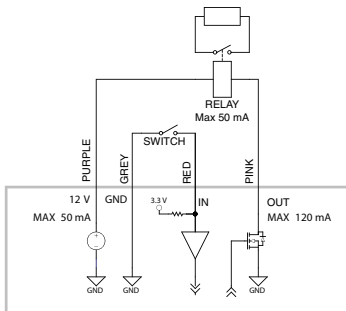


Figure: External I/O schematics and example application.

LED Indicators

Once the camera is connected to the network, the Connection Status LED will display the camera's progress in connecting to the Network Video Management software.

The following table describes what the LEDs indicate:

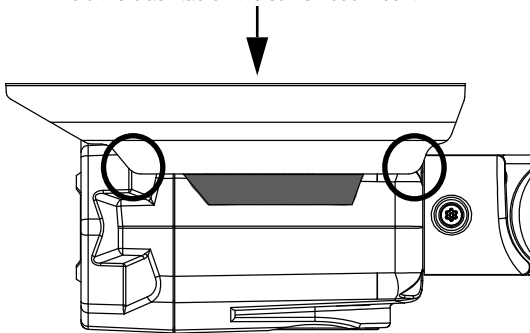
Table:LED Indicators

Connection State	Connection Status LED	Description
Obtaining IP Address	One short flash every second	Attempting to obtain an IP address.
Discoverable	Two short flashes every second	Obtained an IP address but is not connected to the Network Video Management software.
Upgrading Firmware	Two short flashes and one long flash every second	Updating the firmware.
Connected	On	Connected to the Network Video Management software.

Removing the Sun Shroud

The sun shroud is not required when the camera is installed indoors.

1. As you press down on the center of the sun shroud, pull up the corners of the shroud from one side of the camera. Avoid the black tab on the sun shroud mount.



The sun shroud should lift off the camera.

2. Use a 2 mm or 5/64" hex driver to unscrew and remove the sun shroud mount from the camera.

Reinstalling the Sun Shroud

1. Use a 2 mm or 5/64" hex driver to screw on the sun shroud mount.
2. Align one side of the sun shroud on to the mount.
3. Press down on the center of the sun shroud until it clicks into place.

Reset to Factory Default Settings

If the camera no longer functions as expected, you can choose to restore the camera to its factory default settings.

Use the firmware revert button to reset the camera.

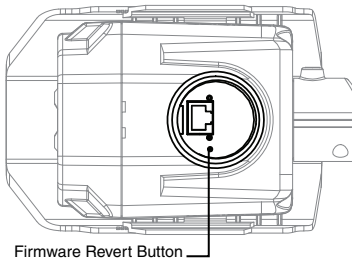


Figure: The firmware revert microswitch in the Configuration Panel.

1. Ensure the camera is powered on.
2. Unscrew the Configuration Panel Plug at the bottom of the camera with the supplied opening tool.
3. Using a straightened paperclip or similar tool, gently press and hold the firmware revert microswitch for 2 seconds.
4. Screw the Configuration Panel Plug back into place.



Caution — Do not apply excessive force. Inserting the tool too far will damage the device.

Setting the IP Address Through the ARP/Ping Method

Complete the following steps to configure the camera to use a specific IP address:

1. Locate and copy down the MAC Address (MAC) listed on the Serial Number Tag for reference.
2. Open a Command Prompt window and enter the following commands:
 - a. `arp -s <New Camera IP Address> <Camera MAC Address>`
For example: `arp -s 192.168.1.10 00-18-85-12-45-78`
 - b. `ping -l 123 -t <New Camera IP Address>`
For example: `ping -l 123 -t 192.168.1.10`
3. Reboot the camera.
4. Close the Command Prompt window when you see the following message:

Reply from **<New Camera IP Address>**: ...

Specifications

	H3-BO1-IR	H3-BO2-IR	
Camera			
Audio Input/Output	Line level input and output		
Lens	3-9 mm, F1.2, auto iris, remote focus and zoom	9-22 mm, F1.6, P-Iris, remote focus and zoom	
Network			
Network	100Base-TX		
Cabling Type	CAT5		
Connector	RJ-45		
API	ONVIF compliant (www.onvif.org)		
Security	Password protection, HTTPS encryption, digest authentication, WS authentication, user access log		
Protocols	IPv4, HTTP, HTTPS, SOAP, DNS, NTP, RTSP, RTCP, RTP, TCP, UDP, IGMP, ICMP, DHCP, Zeroconf, ARP		
Streaming Protocols	RTP/UDP, RTP/UDP multicast, RTP/RTSP/TCP, RTP/RTSP/HTTP/TCP, RTP/RTSP/HTTPS/TCP, HTTP		
Mechanical			
Dimensions LxWxH	241.7 mm x 94.9 mm x 70 mm (9.5" x 3.7" x 2.8")		
Weight	1.15 kg (2.5 lbs)		
Body	Aluminum		
Housing	Surface mount, tamper resistant		
Finish	Powder coat, cool gray 2		
Adjustment Range	±175° pan, -45° to +90° tilt, ±175° azimuth		
Cable Length	45 cm (17.72")		
Electrical			
Power Consumption	22 W with external power 12.95 W with IEEE 802.3af Class 3 PoE		
Power Source	VDC: 12 V +/-10%, 22 W min VAC: 24 V +/-10%, 28 VA min PoE: IEEE802.3af Class 3 compliant		
Environmental			
Operating Temperature	-40 °C to +50 °C (-40 °F to 122 °F)		
Storage Temperature	-10 °C to +70 °C (14 °F to 158 °F)		
Humidity	20 - 80% Relative humidity (non-condensing)		
Certifications			
Safety	UL 60950 CE UVV	CSA 60950 ROHS C-Tick	CB Scheme WEEE
Environmental	IK10 Impact Rating	Meets IP66 Weather Rating	
Electromagnetic Emissions	FCC Part 15 Subpart B Class B IC ICES-003 Class B		EN 55022 Class B
Electromagnetic Immunity	EN 55024 Class B EN 61000-4-4 EN 61000-4-11	EN 61000-4-2 EN 61000-4-5	EN 61000-4-3 EN 61000-4-6

Limited Warranty & Technical Support

Avigilon warrants to the original consumer purchaser, that this product will be free of defects in material and workmanship for a period of 3 years from date of purchase.

The manufacturer's liability hereunder is limited to replacement of the product, repair of the product or replacement of the product with repaired product at the discretion of the manufacturer. This warranty is void if the product has been damaged by accident, unreasonable use, neglect, tampering or other causes not arising from defects in material or workmanship. This warranty extends to the original consumer purchaser of the product only.

AVIGILON DISCLAIMS ALL OTHER WARRANTIES EXPRESSED OR IMPLIED INCLUDING, WITHOUT LIMITATION, ANY IMPLIED WARRANTIES OF MERCHANTABILITY OR FITNESS FOR A PARTICULAR PURPOSE, EXCEPT TO THE EXTENT THAT ANY WARRANTIES IMPLIED BY LAW CANNOT BE VALIDLY WAIVED.

No oral or written information, advice or representation provided by Avigilon, its distributors, dealers, agents or employees shall create another warranty or modify this warranty. This warranty states Avigilon's entire liability and your exclusive remedy against Avigilon for any failure of this product to operate properly.

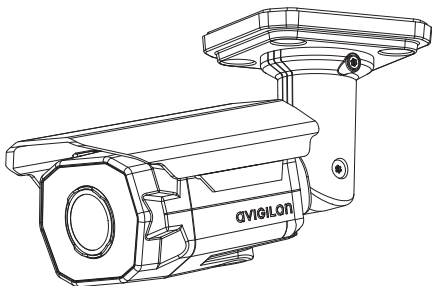
In no event shall Avigilon be liable for any indirect, incidental, special, consequential, exemplary, or punitive damages whatsoever (including but not limited to, damages for loss of profits or confidential or other information, for business interruption, for personal injury, for loss of privacy, for failure to meet any duty including of good faith or of reasonable care, for negligence, and for any other pecuniary or other loss whatsoever) arising from the use of or inability to use the product, even if advised of the possibility of such damages. Since some jurisdictions do not allow the above limitation of liability, such limitation may not apply to you.

This Limited Warranty gives you specific legal rights and you may also have other rights which vary from jurisdiction to jurisdiction.

Warranty service and technical support can be obtained by contacting Avigilon Technical Support by phone at 1.888.281.5182 or via email at support@Avigilon.com.

AVIGILON

THE BEST EVIDENCE™



Guide d'installation

Modèles de caméra IP H.264 haute définition Avigilon :

1.0W-H3-B01-IR, 1.0W-H3-B02-IR, 2.0W-H3-B01-IR, 2.0W-H3-B02-IR,
3.0W-H3-B01-IR, 3.0W-H3-B02-IR, 5.0-H3-B01-IR et 5.0-H3-B02-IR

Informations de sécurité importantes

Ce manuel fournit des informations d'installation et d'exploitation, ainsi que des précautions d'utilisation pour la caméra. Une installation incorrecte peut entraîner une défaillance imprévue. Avant d'installer cet équipement, lisez attentivement ce manuel. Veuillez remettre ce manuel au propriétaire de l'équipement pour une utilisation ultérieure.



Le symbole d'avertissement indique la présence de tensions dangereuses, à l'intérieur et à l'extérieur du boîtier du produit, susceptibles de générer un risque de choc électrique, de blessure grave, voire de décès, si des précautions appropriées ne sont pas prises.



Le symbole Attention alerte l'utilisateur sur la présence de dangers susceptibles d'infliger aux personnels des blessures mineures à modérées, d'endommager des biens ou le produit lui-même si des précautions appropriées ne sont pas prises.



Avertissement — Le non-respect des instructions suivantes est susceptible d'entraîner des blessures graves voire le décès.

- L'installation doit être effectuée par un personnel qualifié uniquement et doit être en conformité avec tous les codes locaux.
- Ce produit doit être alimenté par une alimentation répertoriée UL et portant le marquage "Classe 2", "LPS" ou "Limited Power Source", d'une capacité de sortie nominale de 12 VCC ou 24 VCA pour 22 W min. ou, en mode PoE (Power over Ethernet), de 48 VCC pour 22 W min.
- Toute alimentation externe connectée à ce produit ne peut être connectée qu'à un autre produit Avigilon de la même gamme de modèles. Les connexions à des alimentations externes doivent être correctement isolées.
- Pour quelque raison que ce soit, ne connectez pas l'équipement directement au secteur.



Avertissement — Le non-respect des instructions suivantes est susceptible d'entraîner des blessures et d'endommager la caméra.

- N'effectuez aucune installation à proximité de sources de chaleur telles que radiateurs, bouches de chaleur ou poêles.
- Ne soumettez pas les câbles à des tensions, des charges ou des pincements excessifs.
- N'ouvrez pas l'équipement, ne le démontez pas. Il ne contient aucune pièce sur laquelle l'utilisateur peut intervenir.
- Pour toute intervention, contactez un personnel qualifié. Une intervention peut se révéler nécessaire lorsque l'équipement est endommagé (par exemple, par le renversement d'un liquide ou la chute d'un objet), lorsqu'il a été exposé à la pluie ou à l'humidité (présence de moisissure), lorsqu'il ne fonctionne pas normalement ou lorsqu'il a chuté.
- N'utilisez pas de détergents puissants ou abrasifs lorsque vous nettoyez le corps de l'équipement.
- Utilisez uniquement les accessoires recommandés par Avigilon.
- L'utilisation de commandes, de réglages ou de procédures autres que ceux spécifiés dans le présent document peut entraîner une exposition à des radiations dangereuses.

Avis concernant la réglementation

Cet équipement est conforme à section 15 des règles FCC. Son exploitation est sujette aux deux conditions suivantes : (1) Cet équipement ne risque pas de générer d'interférences nuisibles et (2) cet équipement doit accepter toute interférence reçue, y compris celles susceptibles d'induire un fonctionnement indésirable.

Cet équipement numérique de Classe B est conforme à la norme canadienne ICES-003.

Notice FCC

Cet équipement a été testé et déclaré conforme aux limitations relatives à un appareil numérique de classe B, en vertu de la Sous-section B de la Section 15 des règles de la FCC. Ces limitations visent à assurer une protection raisonnable contre les interférences dans le cadre d'une exploitation de l'équipement dans un environnement commercial. L'exploitation de cet équipement dans une zone résidentielle est susceptible de générer des interférences nuisibles, auquel cas l'utilisateur sera tenu de prendre toute mesure nécessaire pour remédier à ces interférences.

Tout changement ou modification apporté à cet équipement non expressément approuvé par Avigilon Corporation ou des tiers autorisés par Avigilon Corporation pourrait annuler l'autorisation accordée à l'utilisateur d'utiliser cet équipement.

Informations sur la mise au rebut et le recyclage

Lorsque ce produit aura atteint la fin de sa vie utile, veuillez le mettre au rebut conformément aux directives et à la législation locales sur l'environnement.

Union européenne :



Ce symbole signifie que, conformément aux lois et aux réglementations locales, votre produit doit être mis au rebut hors déchets ménagers.

Lorsque ce produit aura atteint la fin de sa vie utile, portez-le à un point de collecte désigné par les autorités locales. Certains points de collecte acceptent gratuitement les produits. La collecte et le recyclage séparés de votre produit au moment de la mise au rebut contribuent à conserver les ressources naturelles et garantissent que le produit est recyclé de sorte à protéger la santé humaine et l'environnement.

Autres notices

Notice sur la compilation et la publication

Ce manuel a été compilé et publié en couvrant les spécifications et descriptions de produit les plus récentes. Le contenu de ce manuel et les spécifications de ce produit sont sujets à modifications sans avis préalable. Avigilon se réserve le droit d'apporter des modifications sans avis préalable aux spécifications et informations présentées dans le présent manuel. Avigilon ne saurait être tenu responsable de tout dommage (notamment accessoire) causé par le fait de se fier aux informations présentées, notamment mais sans s'y limiter, en termes d'erreurs typographiques et d'autres erreurs liées à la publication.

Notice de propriété intellectuelle

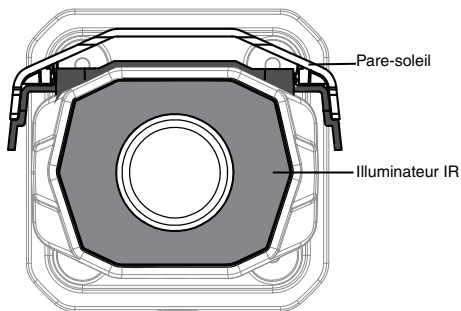
Aucune licence n'est accordée par implication ou autre action dans le cadre de toute conception industrielle, de droits de conception industriels, de brevet et droits de brevet, ou de droits de reproduction (copyrights) d'Avigilon Corporation ou de ses concédants de licence. Les marques commerciales et les marques déposées sont la propriété de leurs détenteurs respectifs.

Tables des matières

Présentation générale	1
Vue avant	1
Vue du dessous	2
Vue de côté	3
Installation	4
Contenu du conditionnement de la caméra	4
Étapes d'installation	4
Ajout de trous de fixation	4
Raccordement des câbles	5
Fixation de la caméra	5
Affectation d'une adresse IP	6
Accès au flux vidéo en direct	7
Visée de la caméra	7
Mise au point de la caméra	8
Pour plus d'informations... ..	8
Connexion à des périphériques externes ...	9
Indications des LED	10
Dépose du pare-soleil	11
Réinstallation du pare-soleil	11
Réinitialiser les paramètres d'usine par défaut	12
Configuration de l'adresse IP par le biais de la méthode ARP/Ping	13
Spécifications	14
Garantie limitée et assistance technique ...	15

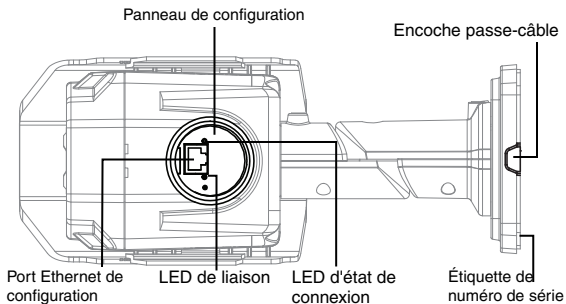
Présentation générale

Vue avant



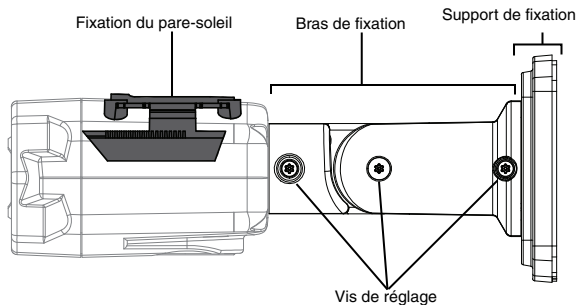
Caractéristique	Description
Pare-soleil	Capot réglable qui contribue à protéger l'objectif des reflets du soleil.
Illuminateur IR	Fournit une illumination de scène dans la gamme IR.

Vue du dessous



Caractéristique	Description
Panneau de configuration	Port d'accès rapide permettant la configuration de la caméra pendant l'installation. Pour accéder au Panneau de configuration, retirez la prise avec l'outil d'ouverture fourni.
Port Ethernet de configuration	Port Ethernet secondaire pour la configuration de la caméra. N'accepte pas la technologie PoE.
LED de liaison	Indique si une connexion est active sur le port Ethernet. Le témoin lumineux est allumé en présence d'une connexion réseau active.
LED d'état de connexion	Fournit des informations sur le fonctionnement de l'équipement. Reportez-vous à la section relative aux indications des LED pour plus d'informations.
Encoche passe-câble	Encoche d'entrée pour les câbles réseau, d'alimentation et E/S.
Étiquette de numéro de série	Numéro de série du produit et étiquette de référence pièce.

Vue de côté



Caractéristique	Description
Fixation du pare-soleil	Support de fixation du pare-soleil
Bras de fixation	Bras de fixation réglable pour le positionnement de la caméra.
Support de fixation	Permet une installation de la caméra en surface ou encastrée.
Vis de réglage	Fournit un mécanisme de verrouillage pour le réglage du bras.

Installation

Contenu du conditionnement de la caméra

Assurez-vous que le conditionnement contient les éléments suivants :

- Caméra IP Bullet haute définition Avigilon
- Clé TORX T20 résistante aux effractions
- 4 vis et points d'ancrage pour les parois pleines
- Modèle de perçage
- Outil d'ouverture du Panneau de configuration

Étapes d'installation

Effectuez les procédures suivantes pour installer la caméra.

1. *Ajout de trous de fixation en page 4*
2. *Raccordement des câbles en page 5*
3. *Fixation de la caméra en page 5*
4. *Affectation d'une adresse IP en page 6*
5. *Accès au flux vidéo en direct en page 7*
6. *Visée de la caméra en page 7*
7. *Mise au point de la caméra en page 8*

Ajout de trous de fixation

1. Utilisez le modèle de perçage pour percer les quatre trous de fixation dans le mur ou le plafond.
 - Percez le trou central facultatif uniquement en cas de montage encastré de la caméra. Une fois le trou passe-câble central percé, tirez les câbles nécessaires à travers ce dernier.

Raccordement des câbles

Pour connecter les câbles nécessaires à un fonctionnement correct, procédez comme suit :

1. Lorsqu'un périphérique d'entrée ou de sortie externe doit être connecté à la caméra (par exemple, des contacts de porte, des relais, des haut-parleurs, etc.), raccordez ces équipements au câble E/S de la caméra.
Pour plus d'informations, reportez-vous à la section *Connexion à des périphériques externes*.
2. Connectez l'alimentation par une des méthodes suivantes:
 - Power over Ethernet (PoE), classe 3 — Si la technologie PoE est disponible, la caméra est automatiquement détectée lors de la connexion du câble réseau.
 - Alimentation externe — Connectez la caméra à une source d'alimentation externe 12 VCC ou 24 VCA via les câbles d'alimentation auxiliaires.
3. Connectez le port Ethernet (connecteur de type RJ45) à un réseau au moyen d'un câble réseau Ethernet. Sous la caméra, la diode de liaison du Panneau de configuration s'allume une fois la connexion réseau établie.
4. Vérifiez que la diode d'état de connexion du Panneau de configuration indique bien l'état correct.
Pour plus d'informations, reportez-vous à la section *Indications des LED*.

Fixation de la caméra

Une fois les connexions câblées en place, fixez et immobilisez la caméra.

1. Rentez les longueurs de câble excédentaires :
 - En cas de montage encastré de la caméra, tirez les longueurs de câble excédentaires à travers le trou passe-câble dans le mur ou le plafond.

- En cas de montage en surface de la caméra, retirez le joint de fixation et rentrez les câbles dans le support de fixation via l'encoche passe-câble. En cas d'installation en extérieur, l'encoche passe-câble doit être orientée vers le bas.
2. Veillez à bien utiliser le joint de fixation en cas de montage encastré de la caméra.
Le joint est nécessaire à l'étanchéité du support de fixation en cas d'installation en extérieur.
 3. Vissez les vis fournies dans les trous de fixation, puis serrez le support de caméra sur la surface de fixation.

Affectation d'une adresse IP

La caméra obtient automatiquement une adresse IP par défaut. Une fois connectée à un réseau, l'appareil tente de localiser un serveur DHCP et d'obtenir une adresse IP auprès de ce dernier. En cas d'échec, la méthode Zeroconf (Zero Configuration Networking) est utilisée pour sélectionner une adresse IP. Si l'adresse IP est définie au moyen de Zeroconf, son sous-réseau sera 169.254.0.0/16.

Les paramètres d'adresse IP peuvent être modifiés au moyen d'une des méthodes suivantes :

- (Méthode recommandée) Logiciel utilitaire d'installation des caméras Avigilon
- Interface du navigateur Web de la caméra :
`http://<adresse IP de la caméra>/`
- Méthode ARP/Ping. Pour plus d'informations, consultez la section *Configuration de l'adresse IP par le biais de la méthode ARP/Ping*.
- Application logicielle NVMS (Network Video Management Software ; par exemple, Avigilon Control Center).

REMARQUE : Le nom d'utilisateur par défaut de la caméra est *admin* et le mot de passe par défaut *admin*.

Accès au flux vidéo en direct

Le flux vidéo en direct peut être consulté au moyen d'une des méthodes suivantes :

- (Méthode recommandée) Logiciel utilitaire d'installation des caméras Avigilon
- Interface du navigateur Web de la caméra :
<http://<adresse IP de la caméra>/>.
- Application logicielle NVMS (Network Video Management Software ; par exemple, Avigilon Control Center).

REMARQUE : Le nom d'utilisateur par défaut de la caméra est *admin* et le mot de passe par défaut *admin*.

Visée de la caméra

1. (Facultatif) Pour faciliter le réglage de la visée de la caméra, vous pouvez raccorder le câble Ethernet au port Ethernet secondaire du Panneau de configuration. N'oubliez pas que si le port Ethernet de configuration est actif, le port Ethernet principal, accessible au dos de la caméra, n'est utilisé que pour les connexions PoE.

Important : Si le port Ethernet de configuration est actif, la caméra ne fonctionne qu'en flux vidéo et accepte uniquement les commandes en provenance de ce port. Parallèlement, les diodes indiquent uniquement l'état de la connexion de ce port Ethernet.

2. Pour régler la visée de la caméra, desserrez les vis de réglage placées sur le bras de fixation de la caméra. Desserrez uniquement les vis qui peuvent être tournées au moyen de la clé résistante aux effractions fournie.
3. Tournez et déplacez la caméra et le bras de fixation selon vos besoins. Examinez le flux vidéo en direct issu de la caméra pour vous aider à obtenir la visée adaptée.
4. Faites glisser le pare-soleil vers l'avant ou l'arrière pour protéger la caméra des reflets du soleil. Dans les installations en extérieur, le pare-soleil doit être positionné

le plus possible vers l'avant sans interférer avec l'image vidéo.

- Pour déplacer le pare-soleil, dégagez les taquets noirs vers le bas, de chaque côté de la caméra, puis faites glisser le pare-soleil vers l'avant ou l'arrière.
5. Une fois la direction souhaitée obtenue, serrez les vis de réglage du bras de fixation pour immobiliser la caméra en position.
 6. Dans l'utilitaire d'installation des caméras Avigilon, utilisez les paramètres Image et affichage de la caméra pour obtenir la position de zoom souhaitée.

Mise au point de la caméra

- Dans l'utilitaire d'installation des caméras Avigilon, utilisez les paramètres Image et affichage de la caméra pour effectuer la mise au point de cette dernière.
 - a. Cliquez sur le bouton **Autofocus** pour que l'objectif mette au point.
 - b. Si la mise au point souhaitée n'est pas obtenue, utilisez les boutons Mise au point proche et Mise au point loin pour régler la focalisation.

Pour plus d'informations...

Les guides suivants présentent des informations supplémentaires sur la configuration et l'utilisation de l'appareil :

- *Guide de l'utilitaire d'installation des caméras Avigilon*
- *Guide de l'utilisateur d'Avigilon Control Center Client*
- *Guide de l'utilisateur de la caméra IP haute définition H.264 Avigilon*

Les manuels sont disponibles sur le site Web d'Avigilon :
<http://avigilon.com/#/support-and-downloads>.

Connexion à des périphériques externes

Les périphériques externes se raccordent à la caméra par le biais du câble E/S. Reportez-vous au tableau suivant pour les connexions.

REMARQUE : La caméra peut être raccordée à un microphone, un haut-parleur et un moniteur externes par le biais du connecteur E/S.

Tableau : Connexions E/S externes

Couleur du brin	Description
Jaune	Retour à la terre de audio
Marron	Entrée audio
Vert	Sortie audio
Gris	Retour à la terre de relais
Rose	Sortie de relais 1
Rouge	Entrée de relais 1
Violet	+12 Sortie V pour commande de relais

REMARQUE : La connexion 12 V permet de fournir jusqu'à 50 mA à une bobine de relais. Si une puissance supérieure à 50 mA était nécessaire, vous pouvez utiliser une alimentation externe affichant jusqu'à 120 mA en 25 VCC.

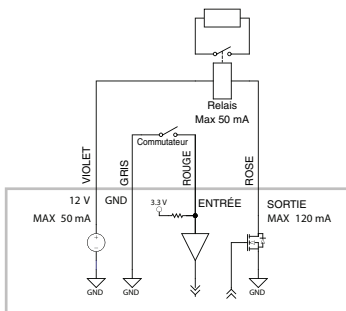


Figure : Schéma des E/S externes et exemple d'application.

Indications des LED

Une fois la caméra raccordée au réseau, des diodes, ou LED, d'état de connexion affichent la progression de la connexion de la caméra au logiciel NVMS (Network Video Management Software).

Le tableau suivant décrit les indications des LED :

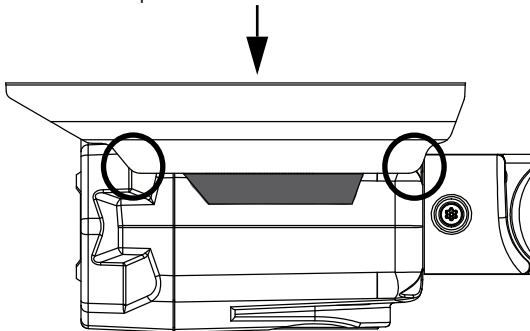
Tableau : Indications des LED

État de la connexion	LED d'état de connexion	Description
Obtention d'une adresse IP	Un clignotement bref à chaque seconde	Tentative d'obtention d'une adresse IP
DéTECTABLE	Deux clignotements brefs à chaque seconde	Une adresse IP a été obtenue mais elle n'est pas connectée au logiciel NVMS (Network Video Management Software).
Mise à niveau du microcode	Deux clignotements brefs et un long à chaque seconde	Mise à niveau du microcode
Connecté	Allumé	Connectée au logiciel NVMS.

Dépose du pare-soleil

Sur les caméras installées en intérieur, le pare-soleil est inutile.

1. Appuyez au centre du pare-soleil et maintenez cette pression, tandis que vous tirez les coins vers le haut d'un côté de la caméra. Évitez le taquet noir placé sur la fixation du pare-soleil.



Le pare-soleil doit se détacher de la caméra.

2. Utilisez un tournevis à 6 pans de 2 mm (5/64") pour dévisser et retirer la fixation du pare-soleil de la caméra.

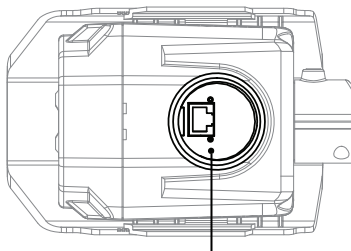
Réinstallation du pare-soleil

1. Utilisez un tournevis à pointe hexagonale de 2 mm (5/64") pour visser la fixation du pare-soleil sur la caméra.
2. Alignez un côté du pare-soleil sur la fixation.
3. Appuyez sur le centre du pare-soleil jusqu'à ce qu'il s'enclipse en position.

Réinitialiser les paramètres d'usine par défaut

Si la caméra ne fonctionne plus comme attendu, vous pouvez opter pour la restauration de ses paramètres d'usine par défaut.

Utilisez le bouton de réinitialisation du microcode pour réinitialiser la caméra.



Bouton de réinitialisation du microcode

Figure : Le micro-interrupteur de réinitialisation du microcode dans le Panneau de configuration.

1. Assurez-vous que la caméra est sous tension.
2. évissez la prise du Panneau de configuration au bas de la caméra au moyen de l'outil d'ouverture fourni.
3. Avec un trombone redressé ou un outil pointu similaire, appuyez légèrement sur le micro-interrupteur de réinitialisation du microcode et maintenez-le enfoncé.
4. Revissez la prise du Panneau de configuration à sa place.



Attention — N'appliquez pas une force excessive. Une insertion trop profonde de l'outil endommagerait l'appareil.

Configuration de l'adresse IP par le biais de la méthode ARP/Ping

Procédez selon les étapes suivantes pour configurer la caméra et utiliser une adresse IP spécifique :

1. Identifiez et copiez l'adresse MAC répertoriée sur l'étiquette de numéro de série pour référence.
2. Ouvrez une fenêtre d'invite de commande, puis saisissez les commandes suivantes :
 - a. `arp -s <Nouvelle adresse IP de la caméra> <Adresse MAC de la caméra>`
Par exemple : `arp -s 192.168.1.10 00-18-85-12-45-78`
 - b. `ping -l 123 -t <Nouvelle adresse IP de la caméra>`
Par exemple : `ping -l 123 -t 192.168.1.10`
3. Réinitialisez la caméra.
4. Fermez la fenêtre d'invite de commande lorsque le message suivant s'affiche :
`Reply from <Nouvelle adresse IP de la caméra> : ...`

Spécifications

	H3-BO1-IR	H3-BO2-IR		
Caméra				
Entrée/sortie audio	Entrée et sortie de niveau ligne			
Objectifs	3-9 mm, F1,2, P-Iris, mise au point et zoom à distance	9-22 mm, F1,6, P-Iris, mise au point et zoom à distance		
Réseau				
Réseau	100Base-TX			
Type de câblage	CAT5			
Connecteur	RJ-45			
API	Conforme ONVIF (www.onvif.org)			
Sécurité	Protection par mot de passe, cryptage HTTPS, authentification Digest, authentification WS, journal d'accès des utilisateurs			
Protocoles	IPv4, HTTP, HTTPS, SOAP, DNS, NTP, RTSP, RTCP, RTP, TCP, UDP, IGMP, ICMP, DHCP, Zeroconf et ARP			
Protocoles de flux	RTP/UDP, RTP/UDP multicast, RTP/RTSP/TCP, RTP/RTSP/HTTP/TCP, RTP/RTSP/HTTPS/TCP et HTTP			
Mécanique				
Cotes LxLxH	241,7 mm x 94,9 mm x 70 mm (9,5" x 3,7" x 2,8")			
Poids	1,15 kg (2,5 lbs)			
Corps	Aluminium			
Boîtier	Montage sur surface, résistant aux effractions			
Finition	Revêtement par pulvérisation, Cool Gray 2			
Plage de réglage	Panoramique à ±175°, inclinaison à -45° to +90°, azimut à ±175°			
Longueur de câble	45 cm (17.72")			
Électrique				
Consommation électrique	22 W en alimentation externe 12,95 W en alimentation PoE IEEE 802.3af Classe 3			
Source d'alimentation	VCC : 12 V +/-10%, 22 W min VCA : 24 V +/-10%, 28 VA min PoE : IEEE802.3af, compatible Classe 3			
Environnemental				
Température d'exploitation	-40 à +50 °C (-40 à 122 °F)			
Température de stockage	-10 à +70 °C (14 à +158 °F)			
Humidité	20 à 80% d'humidité relative (non condensée)			
Certifications				
Sûreté	UL 60950 CE	CSA 60950 ROHS	CB Scheme WEEE	UVV C-Tick
Environnemental	Classification pour les impacts IK10 Conforme à la classification environnementale IP66			
Émissions électromagnétiques	FCC, section 15, sous-section B, classe B IC ICES-003 Classe B		EN 55022 Classe B	
Immunité électromagnétique	EN 55024 Classe B EN 61000-4-4 EN 61000-4-11	EN 61000-4-2 EN 61000-4-5	EN 61000-4-3 EN 61000-4-5	

Garantie limitée et assistance technique

Avigilon garantit à l'acheteur consommateur d'origine que ce produit est exempt de défauts liés au matériel ou à la main-d'œuvre pour une période de 3 années à compter de la date d'achat.

La responsabilité du fabricant explicitée ci-dessous se limite au remplacement ou la réparation du produit, voire au remplacement du produit par un produit réparé, et ce à la discrétion du fabricant. Cette garantie s'annule dès lors que le produit est endommagé par accident, utilisation irraisonnée, négligence, modification ou toute autre cause non liée à des défauts relatifs au matériel ou à la main-d'œuvre. Cette garantie couvre uniquement l'acheteur consommateur d'origine du produit.

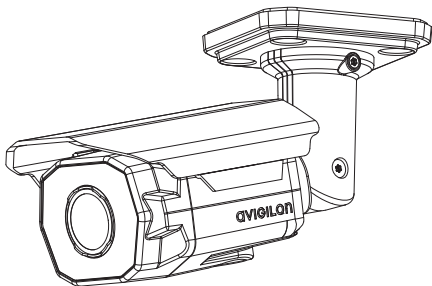
AVIGILON REJETTE TOUTE AUTRE GARANTIE, EXPRESSE OU TACITE, NOTAMMENT MAIS SANS S'Y LIMITER, TOUTE GARANTIE TACITE DE QUALITÉ MARCHANDE OU D'ADÉQUATION À UN OBJECTIF PARTICULIER, SAUF DANS LES CAS DE GARANTIE TACITE PAR FORCE DE LOI NE POUVANT ÊTRE ANNULÉE DE MANIÈRE VIABLE.

Aucun conseil, information ou représentation, de nature orale ou écrite, fourni par Avigilon, ses distributeurs, revendeurs, agents ou employés, ne saurait induire une autre garantie ou modifier la présente garantie. La présente garantie spécifie l'entière responsabilité d'Avigilon ainsi que votre recours exclusif auprès d'Avigilon pour toute défaillance de ce produit dans le cadre d'une exploitation appropriée.

En aucun cas, Avigilon ne saurait être tenu responsable de tout dommage indirect, accessoire, particulier, consécutif, exemplaire ou punitif de quelque nature que ce soit (notamment mais sans s'y limiter, la perte de profits et d'informations, notamment confidentielles, l'interruption d'activité, la blessure, la perte de confidentialité, la non-satisfaction d'un devoir notamment la bonne foi ou les mesures raisonnables, la négligence, ainsi que toute autre perte notamment d'ordre pécuniaire) induit par l'utilisation du produit ou l'incapacité à utiliser le produit, même en cas d'avertissement préalable quant à la possibilité d'un tel dommage. Sachant que certaines juridictions n'autorisent pas la décharge de responsabilité ci-dessus, cette décharge peut ne pas s'appliquer à votre cas.

La présente garantie limitée vous confère des droits légaux spécifiques. Vous pouvez également disposer d'autres droits qui varient d'une juridiction à une autre.

Le service de garantie et l'assistance technique peuvent s'obtenir en contactant le support technique Avigilon, par téléphone 1.888.281.5182 ou par courrier électronique à l'adresse support@avigilon.com.



Guía de instalación

Cámara IP H.264 de alta definición de Avigilon modelos:

1.0W-H3-B01-IR, 1.0W-H3-B02-IR, 2.0W-H3-B01-IR, 2.0W-H3-B02-IR,
3.0W-H3-B01-IR, 3.0W-H3-B02-IR, 5.0-H3-B01-IR y 5.0-H3-B02-IR

Información importante sobre la seguridad

Este manual proporciona información sobre la instalación y funcionamiento de la cámara, así como precauciones a tener en cuenta durante su uso. Una instalación incorrecta podría provocar un fallo inesperado. Antes de instalar este equipo, lea atentamente este manual. Proporcione este manual al propietario del equipo para usos futuros.



El símbolo de advertencia indica la presencia de un voltaje peligroso dentro y fuera de la carcasa del producto que puede constituir un riesgo de descarga eléctrica, lesiones graves o la muerte de personas si no se siguen las precauciones adecuadas.



El símbolo de precaución pone en alerta al usuario ante la presencia de peligros que pueden provocar lesiones menores o moderadas a personas, daños a la propiedad o daños al producto si no se siguen las precauciones adecuadas.



Advertencia: Si no se tienen en cuenta las siguientes instrucciones, pueden producirse lesiones graves o incluso la muerte.

- La instalación solo debe efectuarla personal cualificado y debe cumplir todas las normas locales.
- Este producto se ha diseñado para ser suministrado por una unidad de alimentación con aprobación UL con la etiqueta “Clase 2”, “LPS” o “Fuente de alimentación limitada” con una velocidad de salida de 12 V CC o 24 V CA, 22 W mín. o una velocidad Power over Ethernet (PoE) de 48 V CC, 22 W mín.
- Cualquier fuente de alimentación externa conectada a este producto solo debe conectarse a otro producto Avigilon de la misma serie del modelo. Las conexiones de alimentación externas deben aislarse como es debido.
- Bajo ningún concepto, nunca conecte el dispositivo directamente a la corriente eléctrica.



Precaución: Si no se tienen en cuenta las siguientes instrucciones, pueden producirse lesiones o daños en la cámara.

- No instale el dispositivo cerca de fuentes de calor como radiadores, rejillas de aire caliente, estufas, etc.
- No someta los cables a demasiada tensión, cargas pesadas o pinzamientos.
- No abra ni desmonte el dispositivo. No hay ninguna pieza que pueda reparar el usuario.
- Derive todas las reparaciones al personal cualificado. Las reparaciones deben llevarse a cabo cuando el dispositivo ha resultado dañado (como por ejemplo, debido a un líquido que se ha derramado u objetos que han caído), se ha expuesto a la lluvia o humedad, no funciona correctamente o se ha caído.
- No utilice detergentes fuertes o abrasivos para limpiar el cuerpo del dispositivo.
- Utilice únicamente accesorios recomendados por Avigilon.
- El uso de controles o ajustes o la ejecución de procedimientos diferentes a los especificados en este documento puede provocar una exposición a la radiación peligrosa.

Avisos Regulatorios

Este dispositivo cumple con la Sección 15 de la Reglamentación FCC. El funcionamiento está sujeto a las dos condiciones siguientes: (1) Este dispositivo no ha de causar interferencias indeseadas, y (2) este dispositivo debe aceptar cualquier interferencia recibida, incluyendo interferencias que puedan causar un funcionamiento no deseado.

Este aparato digital de Clase B cumple con la normativa canadiense ICES-003.

Aviso de la FCC

Este equipo ha sido probado y cumple con los límites establecidos para dispositivos informáticos de Clase B, con arreglo a la Subsección B de la Sección 15 de la Reglamentación FCC, diseñados para proporcionar una protección razonable contra estas interferencias cuando se utiliza en un entorno comercial. La utilización de este equipo en una zona residencial probablemente ocasionará interferencias, en cuyo caso el usuario deberá tomar las medidas oportunas para corregir la interferencia a su propio coste.

Los cambios o modificaciones efectuados en este equipo no aprobados expresamente por Avigilon Corporation o las partes autorizadas por Avigilon Corporation podrían anular la capacidad del usuario para utilizar el equipo.

Información sobre la eliminación de residuos y el reciclaje

Cuando este producto haya llegado al final de su vida útil, deshágase de él de acuerdo con la legislación y normativa locales en materia de medio ambiente.

Comunidad Europea:



Este símbolo significa que según la legislación y normativa locales su producto debe eliminarse por separado de los residuos domésticos. Cuando el producto llegue al final de su vida útil, llévalo a un punto de recogida designado por las autoridades locales. Algunos puntos de recogida aceptan productos de forma gratuita. La recogida y reciclaje por separado del producto en el momento de su eliminación ayudará a conservar los recursos naturales y garantizar que se recicla respetando la salud y el medio ambiente.

Otros avisos

Aviso de compilación y publicación

Este manual se ha compilado y publicado contemplando las descripciones y especificaciones del producto más recientes. El contenido de este manual y las especificaciones de este producto están sujetos a cambios sin previo aviso. Avigilon se reserva el derecho de efectuar cambios sin previo aviso en las especificaciones y materiales contenidos aquí y no se hará responsable de ningún daño (incluidos los resultantes) causados por depender de los materiales presentados, incluidos a título enunciativo pero no limitativo los errores tipográficos y otros errores relativos a la publicación.

Aviso sobre la propiedad intelectual

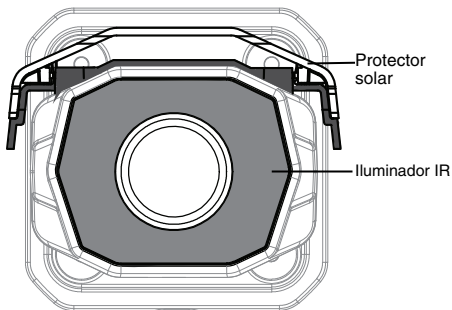
No se concederá ninguna licencia por implicación o cualquier otra circunstancia bajo ningún diseño industrial, derechos de diseño industrial, patente, derechos de patente o copyrights de Avigilon Corporation o sus licenciantes. Todas las marcas comerciales y marcas comerciales registradas son propiedad de sus respectivos propietarios.

Tabla de Contenidos

Visión general	1
Vista frontal	1
Vista inferior	2
Vista lateral	3
Instalación	4
Contenido del paquete de la cámara	4
Pasos para la instalación	4
Adición de orificios de montaje	4
Conexión de cables	5
Montaje de la cámara	5
Asignación de una dirección IP	6
Acceso al flujo de vídeo en tiempo real	7
Orientación de la cámara	7
Enfoque de la cámara	8
Para obtener más información	8
Conexión de dispositivos externos	9
Indicadores LED	10
Extracción del protector solar	11
Reinstalación del protector solar	11
Restablecimiento de los valores predeterminados de fábrica	12
Configuración de la dirección IP a través del método ARP/Ping	13
Especificaciones	14
Garantía limitada y servicio de asistencia técnica	15

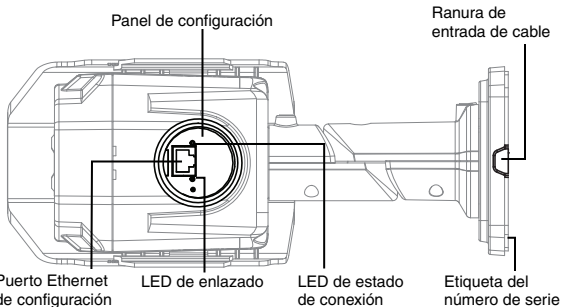
Visión general

Vista frontal



Función	Descripción
Protector solar	Una cubierta ajustable que le ayuda a proteger el objetivo contra brillos del sol.
Iluminador IR	Proporciona iluminación de la escena en el espectro IR.

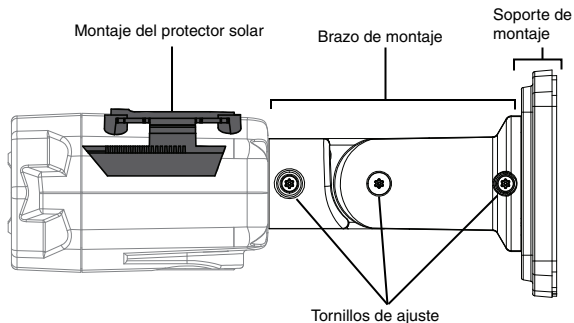
Vista inferior



Español

Función	Descripción
Panel de configuración	Puerto de acceso rápido para configurar la cámara durante la instalación. Para acceder al panel de configuración, extraiga el enchufe con la herramienta de apertura suministrada.
Puerto Ethernet de configuración	Un puerto Ethernet secundario para configurar la cámara. No acepta PoE.
LED de enlazado	Indica si hay una conexión activa en el puerto Ethernet. La luz está encendida cuando hay una conexión de red activa.
LED de estado de conexión	Proporciona información sobre el funcionamiento del dispositivo. Para obtener más información, consulte la sección sobre los indicadores LED.
Ranura de entrada de cable	Una ranura de entrada para los cables de red, alimentación y de E/S.
Etiqueta del número de serie	Etiqueta con el número de serie y la referencia del producto.

Vista lateral



Función	Descripción
Montaje del protector solar	Soporte de montaje del protector solar.
Brazo de montaje	Brazo de montaje ajustable para colocar la cámara.
Soporte de montaje	Permite montar la cámara en un panel o en una superficie.
Tornillos de ajuste	Proporciona un mecanismo de bloqueo para el brazo de montaje.

Instalación

Contenido del paquete de la cámara

Asegúrese de que el paquete contiene lo siguiente:

- Cámara tipo bala IP de alta definición de Avigilon
- Clave a prueba de alteraciones T20 TORX
- 4 tornillos y anclajes para muros sólidos
- Plantilla para brocas
- Herramienta de apertura del panel de configuración

Pasos para la instalación

Complete los procedimientos siguientes para instalar la cámara.

1. *Adición de orificios de montaje en la página 4*
2. *Conexión de cables en la página 5*
3. *Montaje de la cámara en la página 5*
4. *Asignación de una dirección IP en la página 6*
5. *Acceso al flujo de vídeo en tiempo real en la página 7*
6. *Orientación de la cámara en la página 7*
7. *Enfoque de la cámara en la página 8*

Adición de orificios de montaje

1. Utilice la plantilla para brocas para perforar cuatro orificios de montaje en el techo o en el muro.
 - Perfore solo el orificio central opcional si está montando la cámara en un panel. Una vez perforado el orificio del cable central, introduzca los cables requeridos a través.

Conexión de cables

Para conectar los cables requeridos para una operación correcta, complete lo siguiente:

1. Si hay dispositivos de entrada o salida externos que necesiten conectarse a la cámara (por ejemplo: contactos de puerta, relés, altavoces, etc.), conecte los dispositivos al cable del conector de E/S de la cámara.
Para obtener más información, consulte *Conexión de dispositivos externos*.
2. Conecte la alimentación usando uno de los métodos siguientes:
 - Power over Ethernet (PoE) Clase 3: si PoE está disponible, la cámara se detecta automáticamente cuando se conecta el cable de red.
 - Alimentación externa: conecte la cámara a una fuente de alimentación externa de 12 V CC o 24 V CA mediante los cables de alimentación auxiliar.
3. Conecte el puerto Ethernet (conector RJ45) a una red con un cable de red Ethernet. El LED de enlazado del panel de configuración, bajo la cámara, se encenderá cuando se haya establecido un enlace de red.
4. Compruebe que el LED de estado de conexión del panel de configuración muestra el estado correcto.
Para obtener más información, consulte *Indicadores LED*.

Montaje de la cámara

Una vez realizadas todas las conexiones de los cables, monte y asegure la cámara.

1. Recoja los tramos de cable extra:
 - Si está montando la cámara en un panel, introduzca los tramos de cable extra a través del orificio del cable en la pared o el techo.

- Si está montando la cámara en una superficie, extraiga la junta de montaje y guarde los cables conectados a un lado a través de la ranura de entrada de cables en el soporte de montaje. Al instalarlo en el exterior, la ranura de entrada del cable debe estar hacia abajo.
2. Asegúrese de que usar la junta de montaje al montar la cámara en un panel.
La junta es necesaria para mantener la resistencia al agua del soporte de montaje cuando se instala en el exterior.
 3. Atornille los tornillos suministrados en los orificios de montaje y apriete el soporte de la cámara a la superficie de montaje.

Asignación de una dirección IP

De manera predeterminada, la cámara obtiene automáticamente una dirección IP. Una vez conectada a una red, intentará localizar y obtener una dirección IP desde un servidor DHCP. Si esto falla, se utiliza Zero Configuration Networking (Zeroconf) para elegir una dirección IP. Si la dirección IP se establece mediante Zeroconf, la dirección IP se encontrará en la subred 169.254.0.0/16.

Los ajustes de dirección IP se pueden cambiar con uno de los métodos siguientes:

- (Recomendado) La aplicación de software Avigilon Camera Installation Tool.
- Interfaz del navegador web de la cámara:
`http://<dirección IP de la cámara>/`
- Método ARP/Ping. Para obtener más información, consulte *Configuración de la dirección IP a través del método ARP/Ping*.
- Aplicación de software de gestión de vídeo en red (por ejemplo, Avigilon Control Center).

NOTA: El nombre de usuario predeterminado de la cámara es **admin** y la contraseña predeterminada es **admin**.

Acceso al flujo de vídeo en tiempo real

El flujo de vídeo en tiempo real se puede visualizar mediante uno de los métodos siguientes:

- (Recomendado) La aplicación de software Avigilon Camera Installation Tool.
- Interfaz del navegador web de la cámara:
`http://<dirección IP de la cámara>/.`
- Aplicación de software de gestión de vídeo en red (por ejemplo, Avigilon Control Center).

NOTA: El nombre de usuario predeterminado de la cámara es `admin` y la contraseña predeterminada es `admin`.

Orientación de la cámara

1. (Opcional) Para ayudarle a orientar la cámara, puede conectar un cable Ethernet al puerto Ethernet secundario en el panel de configuración.
Tenga en cuenta que mientras se está usando el puerto Ethernet de configuración, el puerto Ethernet principal, situado en la parte posterior de la cámara solo se usará para PoE.

Importante: Mientras se utiliza el puerto Ethernet de configuración, la cámara solo transmitirá vídeo y aceptará comandos del puerto Ethernet de configuración. Además, los indicadores LED solo mostrarán el estado de conexión para este puerto Ethernet.

2. Para orientar la cámara, afloje los tornillos de ajuste del brazo de montaje de la cámara.
Afloje solo los tornillos que pueden girarse con la llave a prueba de alteraciones suministrada.
3. Gire y mueva la cámara y el brazo de montaje según sea necesario. Revise la transmisión de vídeo en directo de la cámara para ayudarle a orientar la cámara correctamente.
4. Deslice el protector solar hacia delante o hacia atrás para proteger la cámara contra brillos del sol. En instalaciones

en el exterior, el protector solar debe colocarse lo más adelante posible sin interferir en la imagen de vídeo.

- Para mover el protector solar, mantenga presionadas las pestañas negras en los laterales de la cámara y deslice el protector solar hacia delante o hacia atrás.
5. Cuando esté satisfecho, apriete los tornillos de ajuste en el brazo de montaje para fijar la posición de la cámara.
 6. En la herramienta Avigilon Camera Installation Tool, ajuste la configuración de Imagen y visualización de la cámara para conseguir la posición del zoom deseada.

Enfoque de la cámara

- En la herramienta Avigilon Camera Installation Tool, utilice la configuración Imagen y visualización de la cámara para enfocar el objetivo de la cámara.
 - a. Haga clic el botón **Enfoque automático** para enfocar el objetivo.
 - b. Si no se ha conseguido el enfoque deseado, utilice los botones de acercar y alejar enfoque para ajustarlo.

Para obtener más información

En las guías siguientes está disponible información adicional sobre la configuración y el uso del dispositivo:

- *Guía del usuario de Avigilon Camera Installation Tool*
- *Guía del usuario de Avigilon Control Center Client*
- *Guía del usuario de la cámara IP H.264 de alta definición de Avigilon*

Los manuales están disponibles en el sitio web de Avigilon:

<http://avigilon.com/#/support-and-downloads>.

Conexión de dispositivos externos

Los dispositivos externos se conectan a la cámara a través del cable de E/S. Consulte la tabla siguiente para las conexiones.

NOTA: La cámara puede conectarse a un micrófono y altavoz externo a través del conector de E/S.

Tabla: Conexiones de E/S externas

Color del cable	Descripción
Amarillo	Retorno por tierra de audi
Marrón	Entrada de audio
Verde	Salida de audio
Gris	Relé de retorno por tierra
Rosa	Relé de salida 1
Rojo	Relé de entrada 1
Púrpura	+12 V de salida para el accionador de relé

Español

NOTA: La conexión de 12 V puede usarse para alimentar una bobina de relé con hasta 50 mA. Si son necesarios más de 50 mA, puede usarse una fuente de alimentación externa de hasta 25 V CC a 120 mA.

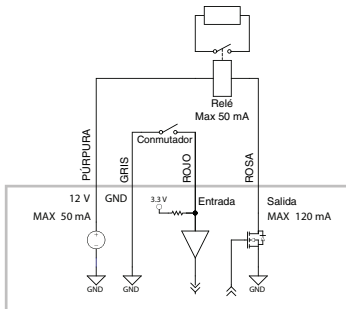


Figura: Esquemas de E/S externa y ejemplo de aplicación.

Indicadores LED

Cuando la cámara está conectada a la red, los LED de estado de conexión mostrarán el progreso de la conexión de la cámara al software de gestión de vídeo de red.

En la tabla siguiente se describe lo que indican los LED:

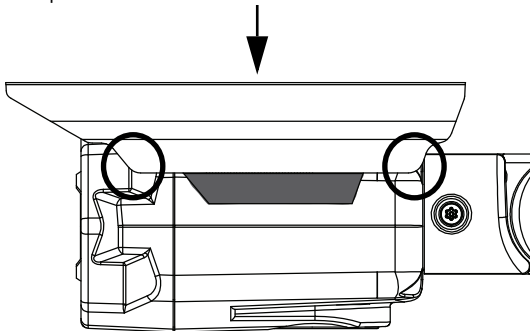
Tabla:Indicadores LED

Estado de conexión	LED de estado de conexión	Descripción
Obteniendo una dirección IP	Un parpadeo breve cada segundo	Intentando obtener una dirección IP.
Detectable	Dos parpadeos breves cada segundo	Se ha obtenido una dirección IP pero no está conectado al software Network Video Management.
Actualizando el firmware	Dos parpadeos breves y un parpadeo largo cada segundo	Actualizando el firmware.
Conectado	Activo	Conexión al software Network Video Management.

Extracción del protector solar

El protector solar no es necesario cuando la cámara se instala en el interior.

1. Al tiempo que aprieta el centro del protector solar, tire hacia arriba de las esquinas del protector desde un lateral de la cámara. Evite la pestaña negra en el soporte del protector solar.



Español

El protector solar debe sobresalir de la cámara.

2. Use un destornillador hexagonal de 2 mm o 5/64" para desatornillar o extraer el soporte del protector solar de la cámara.

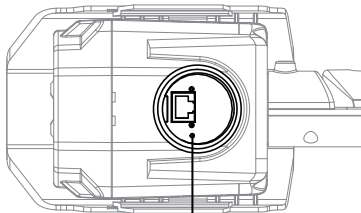
Reinstalación del protector solar

1. Use un destornillador hexagonal de 2 mm o 5/64" para atornillar el soporte del protector solar.
2. Alinee un lateral del protector solar en el soporte.
3. Apriete el centro del protector solar hasta que encaje en su sitio.

Restablecimiento de los valores predeterminados de fábrica

Si la cámara ya no funciona de la manera esperada, puede restaurarla a sus valores predeterminados de fábrica.

Utilice el botón de reversión de firmware para restablecer la cámara.



Botón de reversión de firmware

Figura: Microconmutador de reversión de firmware en el panel de configuración.

1. Asegúrese de que la cámara esté encendida.
2. Desatornille el enchufe del panel de configuración, situado en la parte inferior de la cámara, con la herramienta de apertura suministrada.
3. Con la ayuda de un clip enderezado o una herramienta similar, presione ligeramente y mantenga presionado el microconmutador de reversión del firmware durante dos segundos.
4. Vuelva a atornillar el enchufe del panel de configuración en su sitio.



Precaución: No apriete demasiado. Si introduce demasiado la herramienta, el dispositivo podría dañarse.

Configuración de la dirección IP a través del método ARP/Ping

Complete los pasos siguientes para configurar la cámara para que utilice una dirección IP específica:

1. Localice y copie la dirección MAC (MAC) mostrada en la etiqueta del número de serie como referencia.
2. Abra la ventana Símbolo del sistema e introduzca los comandos siguientes:
 - a. `arp -s <Nueva dirección IP de la cámara> <Dirección MAC de la cámara>`
Por ejemplo: `arp -s 192.168.1.10 00-18-85-12-45-78`
 - b. `ping -l 123 -t <Nueva dirección IP de la cámara>`
Por ejemplo: `ping -l 123 -t 192.168.1.10`
3. Reinicie la cámara.
4. Cierre la ventana Símbolo del sistema cuando vea el mensaje siguiente:
`Reply from <Nueva dirección IP de la cámara>: ...`

Especificaciones

	H3-BO1-IR	H3-BO2-IR		
Cámara				
Entrada/Salida de audio	Entrada y salida de nivel de línea			
Objetivo	3-9 mm, F1.2, iris de tipo P, zoom y enfoque remoto	9-22 mm, F1.6, iris de tipo P, zoom y enfoque remoto		
Red				
Red	100Base-TX			
Tipo de cableado	CAT5			
Conector	RJ-45			
API	Conformidad con ONVIF (www.onvif.org)			
Seguridad	Protección por contraseña, cifrado HTTPS, autenticación implícita, autenticación WS, registro de acceso de usuario			
Protocolos	IPv4, HTTP, HTTPS, SOAP, DNS, NTP, RTSP, RTCP, RTP, TCP, UDP, IGMP, ICMP, DHCP, Zeroconf, ARP			
Protocolos de transferencia	RTP/UDP, multidifusión RTP/UDP, RTP/RTSP/TCP, RTP/RTSP/HTTP/TCP, RTP/RTSP/HTTPS/TCP, HTTP			
Mecánicas				
Dimensiones (l x an x al)	241,7 mm x 94,9 mm x 70 mm			
Peso	1,15 kg			
Cuerpo	Aluminio			
Carcasa	Montaje en superficie, a prueba de alteraciones			
Acabado	Revestimiento de pintura en polvo, gris frío 2			
Rango de ajuste	±175° panorámica, -45° a +90° inclinación, ±175° azimut			
Longitud del cable	45 cm			
Eléctricas				
Consumo de energía	22 W con alimentación externa 12,95 W con alimentación IEEE 802.3af Clase 3 PoE			
Fuente de alimentación	V CC: 12 V +/-10%, 22 W mín V CA: 24 V +/-10%, 28 VA mín PoE: Conforme con IEEE802.3af Clase 3			
Medioambiental				
Temperatura de funcionamiento	-40 °C a +50 °C			
Temperatura de almacenamiento	-10 °C a +70 °C			
Humedad	Humedad relativa (sin condensación) 20 - 80%			
Certificaciones				
Seguridad	UL 60950 ROHS	CSA 60950 WEEE	CB Scheme UVV	CE C-Tick
Medioambiental	Evaluación de impacto IK10		Cumple la certificación IP66	
Emissiones electromagnéticas	FCC Sección 15 Subsección B Clase B IC ICES-003 Clase B		EN 55022 Clase B	
Inmunidad electromagnética	EN 55024 Clase B EN 61000-4-4 EN 61000-4-11	EN 61000-4-2 EN 61000-4-5	EN 61000-4-3 EN 61000-4-6	

Garantía limitada y servicio de asistencia técnica

Avigilon garantiza al comprador-consumidor de origen que este producto no presentará ningún defecto en el material ni la construcción durante un período de 3 años a partir de la fecha de envío.

La responsabilidad del fabricante se limita a la sustitución del producto, reparación del producto o sustitución del producto por un producto reparado a criterio del fabricante. Esta garantía no es válida si el producto ha sido dañado accidentalmente, por un uso no razonable, una negligencia, manipulación u otras causas que no se derivan de los defectos de material o construcción. Esta garantía solo se amplía al comprador-consumidor de origen del producto.

AVIGILON RECHAZA TODAS LAS DEMÁS GARANTÍAS EXPRESAS O IMPLÍCITAS INCLUIDAS, SIN CARÁCTER LIMITATIVO, LAS GARANTÍAS IMPLÍCITAS DE COMERCIABILIDAD O ADECUACIÓN PARA UN FIN PARTICULAR, EXCEPTO EN EL CASO QUE LAS GARANTÍAS IMPLÍCITAS CON ARREGLO A LAS LEYES NO PUEDAN SUSPENDERSE DE FORMA VÁLIDA.

Ninguna información, consejo o representación oral o escrita proporcionada por Avigilon, sus distribuidores, agentes o empleados podrá crear otra garantía o modificar esta garantía. Esta garantía constituye la única responsabilidad de Avigilon y el único recurso del cliente ante Avigilon en cuanto a los fallos de funcionamiento de este producto.

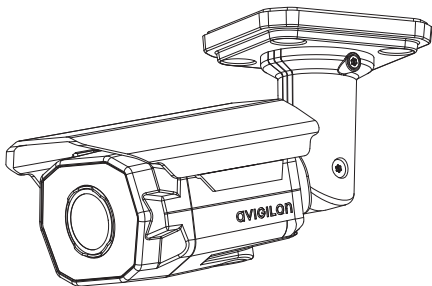
En ningún caso será responsable Avigilon de ningún daño indirecto, incidental, especial, resultante, ejemplar o punitivo de cualquier naturaleza (incluidos a título enunciativo pero no limitativo, los daños derivados de la pérdida de beneficios, pérdida de información empresarial; interrupción de la actividad comercial; daños personales; invasión de la privacidad; fallo en el cumplimiento de las obligaciones como la obligación de buena fe o cuidado razonable; negligencia, y cualquier otro tipo de pérdida pecuniaria) derivado del uso o de la incapacidad para usar el producto, aunque haya sido advertido de la posibilidad de que se produzcan tales daños. Algunas jurisdicciones no permiten la limitación de responsabilidad mencionada arriba, por lo que dicha limitación podría no ser aplicable en su caso.

Esta Garantía limitada le ofrece derechos legales específicos y también puede tener otros derechos que variarán de jurisdicción a jurisdicción.

El servicio de garantía y de asistencia técnica están a su disposición en el Servicio de asistencia técnica de Avigilon en el teléfono 1.888.281.5182 o en la dirección de correo electrónico support@Avigilon.com.

AVIGILON

THE BEST EVIDENCE™



Guida d'installazione

Modelli di telecamere Avigilon IP in H264 ad alta definizione:

1.0W-H3-B01-IR, 1.0W-H3-B02-IR, 2.0W-H3-B01-IR, 2.0W-H3-B02-IR,
3.0W-H3-B01-IR, 3.0W-H3-B02-IR, 5.0-H3-B01-IR e 5.0-H3-B02-IR

Informazioni importanti sulla sicurezza

Il presente manuale fornisce informazioni relative all'installazione e al funzionamento, nonché precauzioni d'uso della telecamera. Un'installazione non corretta potrebbe causare un guasto inaspettato. Prima di installare questa apparecchiatura leggere attentamente il presente manuale. Fornire il presente manuale al proprietario dell'apparecchiatura per usi futuri.



I simboli di avviso indicano la presenza di voltaggio pericoloso all'interno o all'esterno dell'involucro del prodotto che potrebbe costituire un rischio di scossa elettrica, gravi danni o decesso di persone, se le dovute precauzioni non saranno prese.



I simboli di attenzione mettono in guardia l'utente dalla presenza di rischi che potrebbero causare danni minori o moderati alle persone, alla proprietà e al prodotto stesso, se le dovute precauzioni non saranno prese.



Avviso — Il mancato rispetto delle seguenti istruzioni potrebbe causare gravi danni o la morte.

- L'installazione deve essere eseguita esclusivamente da personale qualificato ed essere conforme a tutte le norme vigenti.
- Il presente prodotto è stato progettato per essere alimentato da unità di alimentazione marcate "Class 2" o "LPS" o "Limit Power Source" UL-elencati ad alimentazione in uscita di 12 VDC o 24 VAC, 22 W min. oppure PoE a 48 VDC, 22 W min.
- Qualsiasi fonte esterna di alimentazione collegata al presente dispositivo può essere collegata solo ad altro prodotto Avigilon della stessa serie di modelli. I

collegamenti per alimentazione esterna devono essere adeguatamente isolati.

- Non collegare direttamente alla rete di alimentazione per nessuna ragione.



Attenzione — Il mancato rispetto delle seguenti istruzioni potrebbe provocare danni alla telecamera.

- Non installare vicino a fonti di calore come termosifoni, bocchette di diffusione di aria calda o altre fonti di calore.
- Non sottoporre i cavi ad eccessiva tensione, carico o compressione.
- Non aprire o smontare il dispositivo. Non vi sono parti soggette a manutenzione da parte dell'utente.
- Per tutte le procedure di assistenza rivolgersi a personale qualificato.

L'assistenza può essere necessaria in caso di danneggiamento del dispositivo (per fuoriuscita di liquidi o caduta di oggetti), esposizione alla pioggia o all'umidità, malfunzionamento o caduta dello stesso.

- Non usare detersivi forti o abrasivi per pulire il corpo del dispositivo.
- Utilizzare esclusivamente accessori raccomandati da Avigilon.
- L'esecuzione di controlli, modifiche e procedure diverse da quelle specificate nel presente documento potrebbero causare rischi di esposizione alle radiazioni.

Avvisi regolamentari

Questo dispositivo è conforme alla parte 15 delle norme FCC. L'uso è soggetto alle due seguenti condizioni: (1) il dispositivo non può causare interferenze dannose e (2) il dispositivo deve sopportare le eventuali interferenze ricevute, incluse quelle che possono causare un funzionamento indesiderato.

Questa apparecchiatura digitale di classe B è conforme allo standard canadese ICES-003.

Avviso FCC

La presente apparecchiatura è stata testata e certificata conformemente ai limiti previsti per i dispositivi informatici di classe B, secondo la sottoparte B della Parte 15 delle norme FCC, pensati per fornire una protezione appropriata contro tali interferenze quando l'apparecchiatura è in funzione in un ambiente commerciale. Il funzionamento della presente apparecchiatura in un'area residenziale potrebbe causare interferenze; in tal caso all'utente sarà richiesto a sue spese di prendere qualsiasi provvedimento per correggere tale interferenza.

Cambiamenti o modifiche apportati alla presente apparecchiatura non espressamente approvati da Avigilon Corporation o componenti dell'Avigilon Corporation potrebbe invalidare l'autorizzazione dell'utente all'utilizzo della presente apparecchiatura.

Informazioni sullo smaltimento e il riciclaggio

Al termine del ciclo di vita del presente prodotto, smaltire lo stesso secondo la normativa e le linee guida locali sullo smaltimento dei rifiuti.

Unione Europea:



Questo simbolo significa che secondo le norme e i regolamenti locali il prodotto dovrebbe essere smaltito separatamente dai rifiuti domestici. Al termine del ciclo di vita di questo prodotto, recarsi in un punto di raccolta rifiuti predisposto dalle autorità locali. Alcuni punti di raccolta rifiuti accettano prodotti gratuitamente. La raccolta separata e il riciclaggio di questo prodotto al momento dello smaltimento aiuterà a preservare le risorse naturali e ad assicurare che sia riciclato secondo modalità pensate per proteggere la vita umana e l'ambiente.

Altri avvisi

Avviso di compilazione e pubblicazione

Il presente manuale è stato compilato e pubblicato includendo le descrizioni e le specifiche degli ultimissimi prodotti. Il contenuto di questo manuale e le specifiche di questo prodotto sono soggetti a modifiche senza preavviso. Avigilon si riserva il diritto di effettuare modifiche senza preavviso relative a specifiche e materiali ivi contenuti e non sarà responsabile di alcun danno (inclusi quelli derivanti) causato dall'affidamento sul materiale presentato, inclusi (ma senza limitazione) gli errori tipografici e altri tipi di errori relativi alla pubblicazione.

Avviso sulla proprietà intellettuale

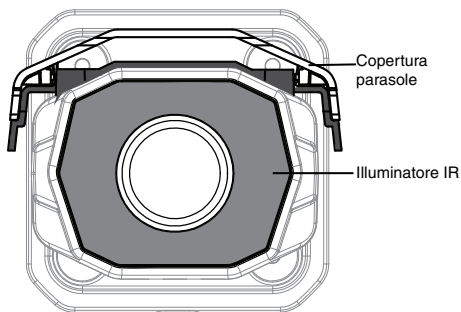
Nessuna licenza viene concessa per implicazione o altrimenti relativamente a nessun progetto industriale e relativi diritti, brevetto e relativi diritti o copyright di proprietà di Avigilon Corporation o dei suoi concessionari. I marchi di fabbrica e i marchi registrati sono di proprietà dei rispettivi proprietari.

Indice dei Contenuti

Presentazione	1
Prospettiva anteriore	1
Prospettiva del lato inferiore	2
Vista laterale	3
Installazione	4
Contenuto confezione telecamera	4
Passaggi per l'installazione	4
Aggiunta dei fori di montaggio	4
Connessione cavi	5
Montaggio della telecamera	5
Assegnazione Indirizzo IP	6
Accesso a Live Video Stream	7
Puntamento della Telecamera	7
Messa a fuoco della Telecamera	8
Per maggiori informazioni	8
Connessione di dispositivi esterni	9
Indicatori LED	10
Rimozione della copertura parasole	11
Reinstallazione della copertura parasole	11
Ripristino delle impostazioni predefinite di fabbrica	12
Impostazione dell'indirizzo IP attraverso il metodo ARP/Ping	13
Specifiche	14
Garanzia limitata e Assistenza tecnica	15

Presentazione

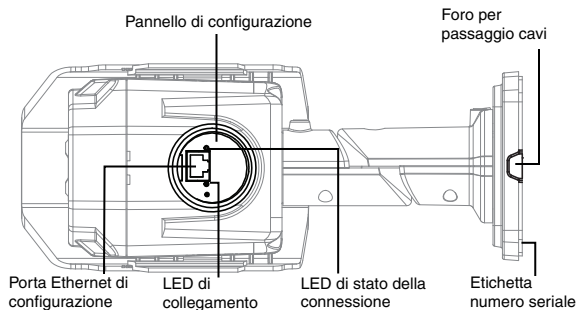
Prospettiva anteriore



Funzione	Descrizione
Copertura parasole	Una copertura regolabile per aiutare a proteggere l'obiettivo dai raggi del sole.
Illuminatore IR	Fornisce l'illuminazione della scena nello spettro dell'IR.

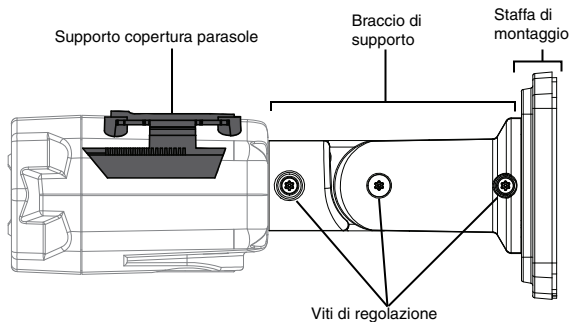
Italiano

Prospettiva del lato inferiore



Funzione	Descrizione
Pannello di configurazione	Porta di accesso rapido per la configurazione della telecamera durante l'installazione. Per accedere al Pannello di configurazione, rimuovere la spina con lo strumento di apertura in dotazione.
Porta Ethernet di configurazione	Una porta Ethernet secondaria per la configurazione della telecamera. Non supporta PoE.
LED di collegamento	Indica la presenza di una connessione attiva sulla porta Ethernet. La luce è accesa quando è presente una connessione di rete attiva.
LED di stato della connessione	Fornisce informazioni relative al funzionamento del dispositivo. Per maggiori informazioni vedere la sezione sugli indicatori LED esterni.
Foro per passaggio cavi	Un foro per il passaggio di cavi di rete, di alimentazione e I/O.
Etichetta numero seriale	Numero seriale prodotto ed etichetta numero ricambio.

Vista laterale



Funzione	Descrizione
Supporto copertura parasole	Staffa di montaggio per copertura parasole.
Braccio di supporto	Braccio di supporto regolabile per il posizionamento della telecamera.
Staffa di montaggio	Permette alla telecamera di essere montata a filo o su superficie.
Viti di regolazione	Forniscono un meccanismo di bloccaggio per il braccio di supporto.

Installazione

Contenuto confezione telecamera

Assicurarsi che la confezione contenga i seguenti articoli:

- Telecamera Bullet IP ad Alta Definizione di Avigilon
- Chiave a stella T20 resistente alle manomissioni
- 4 viti e tasselli di fissaggio a muro
- Dima di foratura
- Strumento di apertura del Pannello di configurazione

Passaggi per l'installazione

Completare le seguenti procedure per installare la telecamera.

1. *Aggiunta dei fori di montaggio a pagina 4*
2. *Connessione cavi a pagina 5*
3. *Montaggio della telecamera a pagina 5*
4. *Assegnazione Indirizzo IP a pagina 6*
5. *Accesso a Live Video Stream a pagina 7*
6. *Puntamento della Telecamera a pagina 7*
7. *Messa a fuoco della Telecamera a pagina 8*

Aggiunta dei fori di montaggio

1. Utilizzare la dima di foratura per eseguire quattro fori di montaggio nel soffitto o nel muro.
 - Eseguire esclusivamente il foro centrale opzionale per l'installazione della telecamera a filo. Una volta praticato il foro centrale per il passaggio dei cavi, tirare i cavi attraverso il foro.

Connessione cavi

Per la connessione dei cavi necessaria per un adeguato funzionamento, completare le seguenti operazioni:

1. Se ci sono dispositivi esterni di entrata ed uscita che necessitano di essere connessi alla telecamera (ad esempio: contatti porte, relè, altoparlanti ecc.), connettere i dispositivi ai cavi di connessione I/O della telecamera. Per maggior informazioni, vedere *Connessione di dispositivi esterni*.
2. Connettere l'alimentazione utilizzando uno dei seguenti metodi:
 - Power over Ethernet (PoE) Classe 3 — Se l'alimentazione PoE è disponibile, la telecamera verrà automaticamente rilevata quando il cavo di connessione sarà connesso.
 - Alimentazione esterna — Collegare la telecamera ad una fonte di alimentazione esterna a 12 VDC o 24 VAC attraverso i cavi di alimentazione ausiliari.
3. Connettere la porta Ethernet (connettore RJ45) ad una rete utilizzando il cavo di rete Ethernet. Il LED di collegamento nel Pannello di configurazione sotto la telecamera si accenderà una volta che la connessione alla rete sarà stabilita.
4. Verificare che il LED di stato della connessione nel Pannello di configurazione indichi lo stato corretto. Per maggior informazioni, vedere *Indicatori LED*.

Montaggio della telecamera

Una volta completato il collegamento dei cavi, montare e fissare la telecamera.

1. Infilare da una parte le lunghezze in eccesso dei cavi:
 - Se si sta montando la telecamera a filo, spingere le lunghezze in eccesso attraverso il foro per il passaggio cavi nel muro o nel soffitto.

- Se si sta montando la telecamera su superficie, rimuovere la guarnizione di montaggio ed infilare i cavi collegati su di un lato attraverso il foro di entrata cavi nella staffa di montaggio. In caso di installazioni in esterno, il foro di entrata cavi deve essere rivolto verso il basso.
2. Assicurarsi di utilizzare la guarnizione di montaggio in caso di installazione a filo della telecamera.
La guarnizione è necessaria per mantenere la staffa di montaggio resistente all'acqua in caso di installazione in esterno.
 3. Inserire le viti in dotazione nei fori di montaggio e stringere la staffa della telecamera alla superficie di montaggio.

Assegnazione Indirizzo IP

La telecamera acquisisce automaticamente un indirizzo IP di default. Una volta connessa ad una rete, tenterà di localizzare ed acquisire un indirizzo IP dal server DHCP. In caso di fallimento, viene impiegato Zero Configuration Networking (Zeroconf) per scegliere un indirizzo IP. Quando l'indirizzo IP viene impostato usando Zeroconf, l'indirizzo IP sarà nel sottorete 169.254.0.0/16.

Le impostazioni dell'indirizzo IP possono essere modificate utilizzando uno dei seguenti metodi:

- (Consigliato) Applicazione software Avigilon Programma di installazione della telecamera.
- Interfaccia browser web della telecamera:
`http://<indirizzo IP telecamera>/`
- Metodo ARP/Ping. Per maggiori informazioni, vedere *Impostazione dell'indirizzo IP attraverso il metodo ARP/Ping*.
- Applicazione software per Registratori video su rete (ad esempio Avigilon Control Center).

NOTA: Il nome utente preimpostato della telecamera è **admin** e la password preimpostata è **admin**.

Accesso a Live Video Stream

Lo streaming video live può essere visualizzato utilizzando uno dei seguenti metodi:

- (Consigliato) Applicazione software Programma di installazione della telecamera Avigilon.
- Interfaccia browser web della telecamera:
<http://<indirizzo IP telecamera>/>.
- Applicazione software per Registratori video su rete (ad esempio Avigilon Control Center).

NOTA: Il nome utente preimpostato della telecamera è *admin* e la password preimpostata è *admin*.

Puntamento della Telecamera

1. (Opzionale) Per aiutarti a puntare la telecamera, è possibile collegare un cavo Ethernet ad una porta Ethernet secondaria nel Pannello di configurazione. Si noti che mentre è in uso la porta Ethernet di configurazione, la porta Ethernet primaria sul retro della telecamera potrà essere utilizzata solo per PoE.

Importante: Mentre la porta Ethernet di configurazione è in uso, la telecamera potrà trasmettere video in streaming ed accettare comandi solo dalla porta Ethernet di configurazione. Inoltre, i LED mostreranno solo lo stato di connessione relativo a questa porta Ethernet.

2. Per puntare la telecamera, allentare le viti di regolazione sul braccio di supporto della telecamera. Allentare esclusivamente le viti che possono essere ruotate utilizzando la chiave antiapertura in dotazione.
3. Ruotare e muovere la telecamera e il braccio di supporto secondo le esigenze. Controllare la trasmissione video live della telecamera per facilitarne il corretto puntamento.
4. Far scorrere in avanti o indietro la copertura parasole per proteggere la telecamera dai raggi solari. Per installazioni in esterno, la copertura parasole deve essere impostata il più avanti possibile senza interferire sulle immagini video.

- Per muovere la copertura parasole, tenere ferme le linguette nere su entrambi i lati della telecamera e far scivolare la copertura parasole in avanti o indietro.
5. Una volta raggiunto il risultato, stringere le viti di regolazione sul braccio di supporto per assicurare la posizione della telecamera.
 6. Nel Programma di installazione della telecamera Avigilon, regolare le impostazioni di Immagine e Monitor per raggiungere la posizione desiderata dello zoom.

Messa a fuoco della Telecamera

- Nel Programma di installazione della telecamera Avigilon, utilizzare le impostazioni di Immagine e Monitor per mettere a fuoco l'obiettivo.
 - a. Fare clic sul tasto **Auto-Focus** per mettere a fuoco l'obiettivo.
 - b. Se non si riesce a raggiungere la messa a fuoco desiderata, utilizzare i pulsanti di messa a fuoco da vicino e da lontano per regolare la messa a fuoco.

Per maggiori informazioni

Ulteriori informazioni sull'impostazione e l'impiego del dispositivo sono disponibili nelle seguenti guide:

- *Guida Utente programma di installazione delle telecamere Avigilon*
- *Manuale d'uso di Avigilon Control Center Client*
- *Manuale d'uso della telecamera Avigilon IP in H264 ad Alta Definizione*

I manuali sono disponibili sul sito dell'Avigilon: <http://avigilon.com/#/support-and-downloads>.

Connessione di dispositivi esterni

I dispositivi esterni sono connessi alla telecamera attraverso il cavo I/O. Fare riferimento alla tabella di seguito per i collegamenti.

NOTA: La telecamera può essere connessa a microfoni e altoparlanti esterni attraverso un connettore I/O.

Tabella:Collegamenti esterni I/O

Colore cavo	Descrizione
Giallo	Ritorno della massa per segnali audio
Marrone	Ingresso audio
Verde	Uscita audio
Grigio	Ritorno della messa su relè
Rosa	Uscita 1 relè
Rosso	Ingresso 1 relè
Viola	+12 V - uscita per drive relè

NOTA: Il collegamento a 12 V può essere utilizzato per alimentare una bobina del relè con un massimo di 50 mA. Se sono necessari più di 50 mA, può essere utilizzata un'alimentazione esterna fino a 25 VDC da 120 mA.

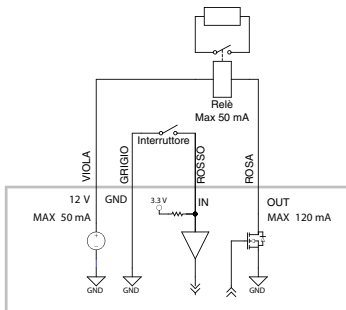


Figura : Schemi dei terminali esterni I/O ed esempi di applicazione.

Indicatori LED

Una volta che la telecamera è connessa alla rete, i LED di stato della connessione visualizzeranno la fase di connessione della telecamera al software per Registratori video su rete.

La seguente tabella descrive quello che indicano i LED:

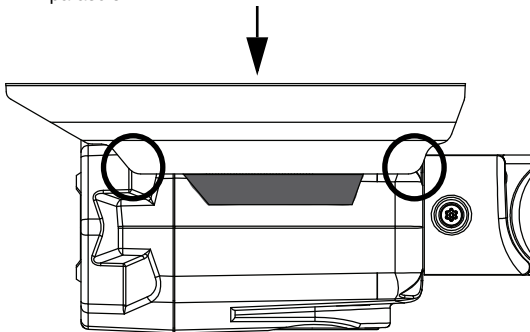
Tabella:Indicatori LED

Stato della connessione	LED di stato della connessione	Descrizione
Acquisizione indirizzo IP in corso...	Un breve flash ogni secondo	Tentativo in corso di acquisire un indirizzo IP.
Individuabile	Due brevi flash ogni secondo	Indirizzo IP acquisito ma non collegato al Software per Registratori Video su rete.
Aggiornamento o firmware in corso	Due brevi flash ed uno lungo ogni secondo	Aggiornamento del firmware in corso...
Connesso	Acceso	Connesso al software per Registratori video su rete.

Rimozione della copertura parasole

La copertura parasole non è necessaria in caso di installazione in interno.

1. Premendo sul centro della copertura parasole, tirare verso l'alto gli angoli della copertura da un lato della telecamera. Evitare la linguetta nera sul supporto della copertura parasole.



La copertura parasole dovrebbe sollevare la telecamera.

2. Utilizzare una chiave a brugola da 2 mm (5/64 pollici) per svitare e rimuovere il supporto della copertura parasole dalla telecamera.

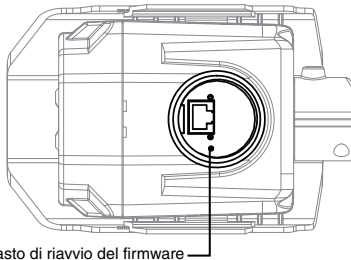
Reinstallazione della copertura parasole

1. Utilizzare una chiave a brugola da 2 mm (5/64 pollici) per avvitare il supporto della copertura parasole.
2. Allineare un lato della copertura parasole sul relativo supporto.
3. Premere sul centro della copertura fino a quando non si sente un clic.

Ripristino delle impostazioni predefinite di fabbrica

Se la telecamera non funziona più come dovrebbe, è possibile scegliere di ripristinare le impostazioni predefinite di fabbrica.

Utilizzare il tasto di riavvio del firmware per resettare la telecamera.



Tasto di riavvio del firmware

Figura : Microinterruttore di riavvio del firmware nel Pannello di configurazione.

1. Assicurarsi che la telecamera si accesa.
2. Svitare la spina del Pannello di configurazione nella parte inferiore della telecamera utilizzando lo strumento di apertura in dotazione.
3. Utilizzando una graffetta aperta o uno strumento simile, premere delicatamente il microinterruttore di riavvio del firmware per due secondi.
4. Riavvitare in posizione la spina del Pannello di Configurazione.



Attenzione — Non esercitare una forza eccessiva. Spingere la graffetta o lo strumento troppo affondo danneggia il dispositivo.

Impostazione dell'indirizzo IP attraverso il metodo ARP/Ping

Completare i seguenti passaggi per configurare la telecamera in modo che utilizzi un indirizzo IP specifico:

1. Localizzare e annotarsi l'indirizzo MAC (MAC) elencato sull'etichetta numero seriale per riferimento.
2. Aprire una finestra shell a riga di comando ed inserire i seguenti comandi:
 - a. `arp -s <Nuovo indirizzo IP Telecamera> <Indirizzo MAC Telecamera>`
Ad esempio: `arp -s 192.168.1.10 00-18-85-12-45-78`
 - b. `ping -l 123 -t <Nuovo Indirizzo IP Telecamera>`
Ad esempio: `ping -l 123 -t 192.168.1.10`
3. Riavviare la telecamera.
4. Chiudere la finestra shell a riga di comando quando compare il seguente messaggio:
Risposta da **<Indirizzo IP nuova telecamera>**: ...

Specifiche

	H3-BO1-IR	H3-BO2-IR		
Telecamera				
Ingresso/uscita audio	Ingresso ed uscita a livello di linea			
Obiettivo	3-9 mm, F1.2, P-Iris, messa a fuoco e zoom remoti	9-22 mm, F1.6, P-Iris, messa a fuoco e zoom remoti		
Rete				
Rete	100Base-TX			
Tipo di cablaggio	CAT5			
Connettore	RJ-45			
API	Conforme ONVIF (www.onvif.org)			
Sicurezza	Protezione con password, crittografia HTTPS, autenticazione codifica, autenticazione WS, log accesso utente			
Protocolli	IPv4, HTTP, HTTPS, SOAP, DNS, NTP, RTSP, RTCP, RTP, TCP, UDP, IGMP, ICMP, DHCP, Zeroconf, ARP			
Protocolli di streaming	RTP/UDP, RTP/UDP multicast, RTP/RTSP/TCP, RTP/RTSP/HTTP/TCP, RTP/RTSP/HTTPS/TCP, HTTP			
Meccaniche				
Dimensioni LxPxH	241,7 mm x 94,9 mm x 70 mm (9,5" x 3,7" x 2,8")			
Peso	1,15 kg (2,5 lbs)			
Corpo	Alluminio			
Alloggiamento	Superficie di montaggio, resistente alle manomissioni			
Finitura	Rivestimento con verniciatura a polvere, cool gray 2			
Range di regolazione	±175° pan, -45° fino a +90° tilt, ±175° azimuth			
Lunghezza cavo	45 cm (17.72")			
Elettriche				
Consumo energetico	Alimentazione esterna a 22 W Alimentazione a 12,95 W con IEEE 802.3af Classe 3			
Alimentazione	VDC: 12 V +/-10%, 22 W min VAC: 24 V +/-10%, 28 VA min PoE: Conforme IEEE802.3af Classe 3			
Ambientali				
Temperatura operativa	-40 °C fino a +50 °C (-40°F fino a 122°F)			
Temperatura di funzionamento NVR	-10°C fino a +70°C (14°F fino a 158°F)			
Umidità	Umidità relativa 20 - 80% (senza condensa)			
Omologazioni				
Sicurezza	UL 60950 CE	CSA 60950 ROHS	Schema CB WEEE	UVV C-Tick
Ambientali	Grado di protezione contro gli impatti IK10 Conforme allo standard di protezione IP66 contro le condizioni atmosferiche			
Emissioni elettromagnetiche	Classe B sottoparte B della Parte 15 delle norme FCC IC ICES-003 Classe B EN 55022 Classe B			
Schermatura elettromagnetica	EN 55024 Classe B EN 61000-4-4 EN 61000-4-11	EN 61000-4-2 EN 61000-4-5	EN 61000-4-3 EN 61000-4-6	

Garanzia limitata e Assistenza tecnica

Avigilon garantisce all'acquirente/consumatore finale che questo prodotto è privo di difetti relativi al materiale e alla fabbricazione per un periodo di 3 anni dalla data di acquisto.

La responsabilità del produttore nei termini della presente garanzia è limitata alla sostituzione del prodotto, alla riparazione dello stesso o alla sostituzione del prodotto con un prodotto riparato, a discrezione del produttore. La presente garanzia non è valida se il prodotto è stato danneggiato accidentalmente o per un uso improprio, per negligenza, per manomissione o altre cause non dovute a difetti legati al materiale o alla fabbricazione. La presente garanzia si estende esclusivamente all'acquirente/consumatore finale del presente prodotto.

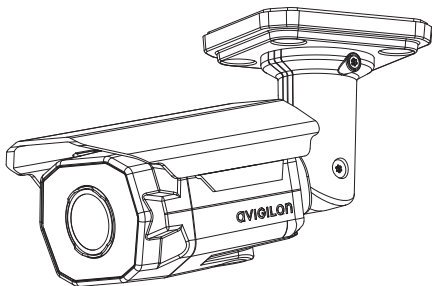
AVIGILON NON RICONOSCE NESSUN ALTRA GARANZIA ESPLICITA O IMPLICITA INCLUSA, MA SENZA LIMITAZIONE, QUALSIASI GARANZIA IMPLICITA DI COMMERCIALIZZABILITÀ E IDONEITÀ PER UN PARTICOLARE SCOPO - AD ECCEZIONE DEI LIMITI AI QUALI QUALSIASI GARANZIA PER LEGGE NON PUÒ VALIDAMENTE RINUNCIARE.

Nessuna informazione, avviso o immagine, in forma scritta o orale, fornita da Avigilon, i suoi distributori, agenti o dipendenti dovrà creare una garanzia diversa dalla presente o modificare quest'ultima. La presente garanzia dichiara la piena responsabilità di Avigilon e l'esclusivo rimedio giuridico dell'utente contro Avigilon per qualsiasi difetto del prodotto che ne impedisca il corretto funzionamento.

In nessun caso Avigilon sarà responsabile per qualsiasi danno indiretto, accidentale, particolare, conseguente, tipico o punitivo o per qualunque altra cosa (inclusi, ma non limitatamente a, danni dovuti alla perdita di profitti o di informazioni confidenziali o di altro tipo, all'interruzione dell'attività, a danni arrecati alla persona, alla perdita di privacy, al mancato rispetto di qualsiasi dovere inclusa la buona fede o la ragionevole cura, alla negligenza e a qualsiasi altro danno economico o perdita) che possa derivare dall'uso o dall'impossibilità di utilizzo del prodotto, anche se avvisata della possibilità di tali danni. Dal momento che alcune giurisdizioni non permettono il tipo di limitazione sopracitata, la stessa potrebbe non essere applicata all'utente.

La presente garanzia limitata conferisce a l'utente specifici diritti legali e l'utente potrebbe disporre anche di altri diritti che possono variare da giurisdizione a giurisdizione.

Ci si può avvalere del servizio di garanzia e dell'assistenza tecnica contattando l'Assistenza Tecnica Avigilon per telefono al numero 1.888.281.5182 o via e-mail all'indirizzo di posta elettronica support@Avigilon.com.



Installationsanleitung

Avigilon HD H.264 IP-Kameramodelle:

1.0W-H3-B01-IR, 1.0W-H3-B02-IR, 2.0W-H3-B01-IR, 2.0W-H3-B02-IR,
3.0W-H3-B01-IR, 3.0W-H3-B02-IR, 5.0-H3-B01-IR und 5.0-H3-B02-IR

Wichtige Sicherheitsinformationen

Dieses Handbuch enthält Installations- und Bedienungsinformationen für den Einsatz dieser Kamera. Die unsachgemäße Installation kann zu unerwarteten Defekten führen. Lesen Sie sich dieses Handbuch vor der Installation dieses Gerätes sorgfältig durch. Überlassen Sie dem Inhaber des Gerätes dieses Handbuch für den zukünftigen Gebrauch.



Das Symbol „Warnung“ verweist auf das Vorhandensein gefährlicher Spannung innerhalb und außerhalb des Gehäuses des Produkts, und bezeichnet die Gefahr eines Stromschlags, schwerer Verletzung oder des Todes von Personen, wenn die ordnungsgemäßen Vorsichtsmaßnahmen nicht eingehalten werden.



Das Symbol „Vorsicht“ macht den Anwender auf das Vorhandensein von Risiken aufmerksam, die zu kleinen oder geringfügigen Personenverletzungen, zu Sachbeschädigung oder zu Schäden am Produkt selbst führen können, wenn die ordnungsgemäßen Vorsichtsmaßnahmen nicht eingehalten werden.



Warnung – Die Nichtbefolgung der folgenden Anweisungen kann zu schweren Verletzungen oder zum Tod führen.

- Die Installation darf nur von Fachpersonal durchgeführt werden und muss sämtlichen lokalen Normen entsprechen.
- Dieses Produkt ist vorgesehen für die Verwendung mit einem UL-gelisteten Netzanschluss mit der Bezeichnung „Klasse 2“ oder „LPS“ oder „Limited Power Source“ mit einer Ausgangsleistung von 22 W min. bei 12 VDC oder 24 VAC oder PoE mit 48 VDC, 22 W min.
- Die an dieses Produkt angeschlossene externe Stromversorgung kann ausschließlich mit weiteren Avigilon-Produkten derselben Modellserie verwendet werden. Externe Stromverbindungen müssen ordnungsgemäß isoliert sein.
- Niemals direkt an das Versorgungsnetz anschließen.



Vorsicht – Die Nichteinhaltung der folgenden Anweisungen kann zu Verletzungen oder zur Beschädigung der Kamera führen.

- Unterlassen Sie die Installation in der Nähe von Wärmequellen wie Radiatoren, Heizregistern, Herden oder anderen Wärmequellen.
- Setzen Sie die Kabel keiner übermäßigen Belastung, schweren Lasten oder Quetschungen aus.
- Öffnen oder zerlegen Sie das Gerät nicht. Es gibt keine zu wartenden Teile.
- Lassen Sie die gesamte Wartung von Fachpersonal ausführen. Eine Wartung kann erforderlich werden, wenn das Gerät beschädigt wurde (beispielsweise durch verschüttete Flüssigkeit oder heruntergefallene Gegenstände), Regen oder Feuchtigkeit ausgesetzt wurde, nicht ordnungsgemäß funktioniert oder fallengelassen wurde.
- Verwenden Sie keine starken Reinigungsmittel oder Scheuermittel, wenn Sie den Kamerakörper reinigen.
- Verwenden Sie nur von Avigilon empfohlenes Zubehör.
- Durch die Verwendung der Steuerungen, Adaptierungen oder die Durchführung anderer Vorgänge, die nicht in diesem Dokument beschrieben sind, können gefährliche Strahlungen freigesetzt werden.

Rechtliche Hinweise

Dieses Gerät entspricht Abschnitt 15 der FCC-Bestimmungen. Der Betrieb unterliegt zwei Bedingungen: (1) Das Gerät darf keine Funkstörungen verursachen und darf (2) durch von außen verursachte Störungen nicht beeinflusst werden.

Dieses Digitalgerät der Klasse B entspricht der kanadischen Norm ICES-003.

FCC-Hinweis

Dieses Gerät wurde getestet und entspricht den Grenzwerten von Rechnergeräten der Unterklasse B von Abschnitt 15 der FCC-Bestimmungen, die dazu ausgelegt sind, ausreichenden Schutz gegen Interferenzen bei kommerziellen Installationen zu bieten. Der Betrieb in Wohngebieten wird voraussichtlich funktechnische Störungen verursachen. In diesem Fall ist der Nutzer verpflichtet, auf seine Kosten alle erforderlichen Maßnahmen zu ergreifen, um die Störung zu beheben.

Änderungen oder Modifizierungen an diesem Gerät, die nicht ausdrücklich von Avigilon Corporation oder von durch Avigilon Corporation autorisierten Stellen genehmigt wurden, können die Benutzerberechtigung dieses Gerätes außer Kraft setzen.

Informationen zur Entsorgung und Wiederverwendung

Wenn dieses Produkt das Ende der Nutzungsdauer erreicht hat, entsorgen Sie es bitte gemäß Ihren örtlichen Gesetzen und Bestimmungen zum Umweltschutz.

Europäische Union:



Dieses Symbol bedeutet, dass Ihr Produkt gemäß den örtlichen Gesetzen und Bestimmungen separat vom Hausmüll entsorgt werden soll. Wenn dieses Produkt das Ende der Nutzungsdauer erreicht hat, bringen Sie es zu einer von den örtlichen Behörden dafür vorgesehenen Sammelstelle. Einige Sammelstellen nehmen Produkte kostenlos entgegen. Die separate Sammlung und Wiederverwendung Ihres Produktes zur Zeit der Entsorgung dient der Konservierung natürlicher Ressourcen und stellt sicher, dass es so wieder verwertet wird, dass menschliche Gesundheit und Umwelt keinen Schaden nehmen.

Zusätzliche Notizen

Kompilierungs- und Publikationshinweis

Dieses kompilierte und veröffentlichte Handbuch enthält die neuesten Produktbeschreibungen und Spezifikationen. Inhalt und Spezifikationen dieses Handbuchs können ohne Vorankündigung geändert werden. Avigilon behält sich das Recht vor, an den hierin enthaltenen Spezifikationen und Materialien Änderungen ohne Vorankündigung vorzunehmen und ist nicht verantwortlich für eventuelle Schäden (einschließlich Folgeschäden), die durch Verlassen auf das vorhandene Material entstanden, einschließlich, aber nicht beschränkt auf typographische und andere Fehler dieser Publikation.

Urheberrecht und geistiges Eigentum

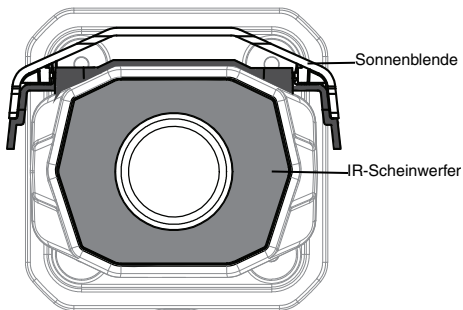
Es wird Ihnen weder stillschweigend noch auf andere Art eine Lizenz gemäß einem Industriedesign, Industriedesign-Rechten, Patentrechten oder Urheberrechten von Avigilon Corporation oder seinen Lizenzgebern verliehen. Marken und eingetragene Warenzeichen sind Eigentum der jeweiligen Inhaber.

Inhalt

Überblick	1
Vorderansicht	1
Unteransicht	2
Seitenansicht	3
Installation	4
Lieferumfang der Kamera	4
Installationschritte	4
Montagebohrungen erstellen	4
Anschließen der Kabel	4
Befestigung der Kamera	5
Zuweisen einer IP-Adresse	6
Zugriff auf den Live-Video-Stream	7
Ausrichten der Kamera	7
Fokussierung der Kamera	8
Weitere Informationen	8
Anschluss an externe Geräte	9
LED-Anzeigen	10
Abnehmen der Sonnenblende	11
Erneutes Anbringen der Sonnenblende	11
Rücksetzen auf Werkseinstellungen	12
Einstellen der IP-Adresse anhand der ARP/Ping-Methode	13
Spezifikationen	14
Garantiebedingungen und technischer Support	15

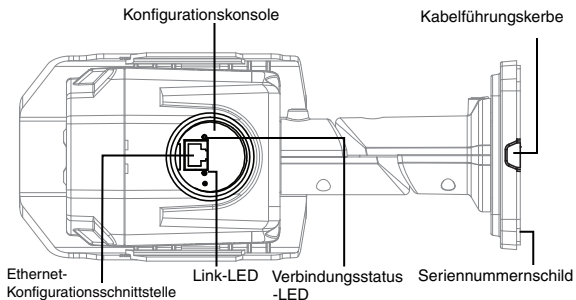
Überblick

Vorderansicht



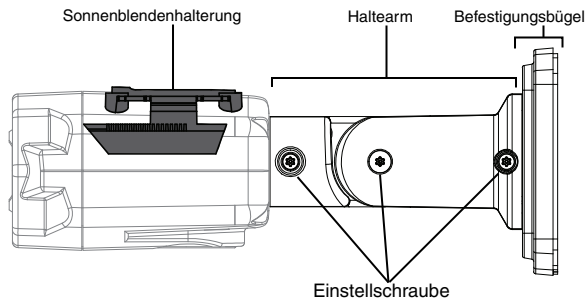
Funktion	Beschreibung
Sonnenblende	Eine verstellbare Abdeckung zum Schutz des Objektivs gegen die Sonne.
IR-Scheinwerfer	Bietet Szenenbeleuchtung im IR-Spektrum.

Unteransicht



Funktion	Beschreibung
Konfigurationskonsole	Schnellanschluss zum Konfigurieren der Kamera während der Installation. Um auf die Konfigurationskonsole zugreifen zu können, muss die Kappe mit dem mitgelieferten Öffnungswerkzeug entfernt werden.
Ethernet-Konfigurationsschnittstelle	Eine zweite Ethernet-Schnittstelle zum Konfigurieren der Kamera. Kann nicht mit PoE verwendet werden.
Link-LED	Zeigt an, ob in der Netzwerkschnittstelle eine aktive Verbindung anliegt. Die Lampe brennt, wenn eine aktive Netzwerkverbindung vorhanden ist.
Verbindungsstatus-LED	Stellt Informationen über den Betrieb des Gerätes bereit. Weiterführende Informationen finden Sie im Abschnitt über LED-Anzeigen.
Kabelführungskerbe	Eine Kerbe zur Durchführung von Netzwerk-, Stromversorgungs- und Ein-/Ausgangskabeln.
Seriennummernschild	Serien- und Teilenummernschild.

Seitenansicht



Funktion	Beschreibung
Sonnenblendenhalterung	Haltebügel für die Sonnenblende.
Haltearm	Verstellbarer Haltearm zur Positionierung der Kamera.
Befestigungsbügel	Geeignet für die Kameramontage unter Putz oder auf der Oberfläche.
Einstellschraube	Stellt einen Verriegelungsmechanismus für den Haltearm bereit.

Installation

Lieferumfang der Kamera

Überprüfen Sie Ihr Lieferpaket auf folgenden Inhalt:

- Avigilon HD IP-Bullet-Kamera
- Manipulationssicherer T20 TORX-Schlüssel
- 4 Schrauben und Dübel für massives Mauerwerk
- Bohrlehre
- Öffnungswerkzeug für die Konfigurationskonsole

Installationsschritte

Sie müssen zur Installation der Kamera die folgenden Vorgänge ausführen.

1. *Montagebohrungen erstellen auf Seite 4*
2. *Anschließen der Kabel auf Seite 4*
3. *Befestigung der Kamera auf Seite 5*
4. *Zuweisen einer IP-Adresse auf Seite 6*
5. *Zugriff auf den Live-Video-Stream auf Seite 7*
6. *Ausrichten der Kamera auf Seite 7*
7. *Fokussierung der Kamera auf Seite 8*

Montagebohrungen erstellen

1. Bohren Sie mit Hilfe der Bohrlehre vier Montagelöcher in die Decke bzw. die Wand.
 - Bohren Sie nur dann das optionale zentrale Loch, wenn Sie die Kamera unter Putz befestigen. Ziehen Sie anschließend die erforderlichen Kabel durch das Loch.

Anschließen der Kabel

Um die Kabel, die zum ordnungsgemäßen Betrieb benötigt werden, anzuschließen, führen Sie bitte folgende Schritte aus:

1. Sollten externe Eingangs- oder Ausgangsgeräte vorhanden sein, die an die Kamera anzuschließen sind (zum Beispiel Türkontakte, Relais, Lautsprecher, usw.), verbinden sie diese mit den Ein-/Ausgangs-Verbindungskabeln der Kamera.
Weitere Informationen finden Sie unter *Anschluss an externe Geräte*.
2. Schließen Sie Strom anhand einer der folgenden Methoden an:
 - Power over Ethernet (PoE) Klasse 3 - Wenn PoE verfügbar ist, wird die Kamera automatisch erkannt, sobald ein Netzkabel eingesteckt wird.
 - Externe Stromquelle: Verbinden Sie die Kamera anhand der Hilfsspannungskabel mit einer externen Stromquelle von 12 V Gleichspannung oder 24 V Wechselspannung.
3. Schließen Sie die Netzwerkbuchse (RJ45-Steckverbinder) mit einem Ethernet-Netzkabel an ein Netzwerk an. Die Link-LED in der Konfigurationskonsole unter der Kamera leuchtet auf, sobald eine Verbindung zum Netzwerk hergestellt ist.
4. Vergewissern sie sich, dass die Verbindungsstatus-LED in der Konfigurationskonsole den richtigen Zustand signalisiert.
Weitere Informationen finden Sie unter *LED-Anzeigen*.

Befestigung der Kamera

Befestigen und sichern Sie die Kamera nach dem Herstellen der Kabelverbindungen.

1. Verstauen Sie Überlängen der Kabel:
 - Wenn Sie die Kamera unter Putz anbringen, schieben Sie die Überlänge durch das Kabelloch in der Wand oder Decke.
 - Wenn Sie sie auf der Oberfläche anbringen, entfernen Sie den Dichtungsring und schieben Sie

die verbundenen Kabel auf einer Seite durch die Kabelführungskerbe im Haltebügel. Wenn die Kamera im Außenbereich angebracht wird, muss die Kabelführungskerbe nach unten weisen.

2. Achten Sie darauf, bei der Unterputzbefestigung der Kamera den Dichtungsring zu verwenden.
Er ist erforderlich, damit die Haltebügel bei der Außeninstallation ihre Wasserbeständigkeit nicht verlieren.
3. Führen Sie die mitgelieferten Schrauben durch die Montagelöcher und schrauben Sie den Kamerabügel an der Installationsoberfläche fest.

Zuweisen einer IP-Adresse

Die Kamera bezieht in der werksseitigen Voreinstellung automatisch eine IP-Adresse. Sobald das Gerät mit einem Netzwerk verbunden wird, versucht es einen DHCP-Server zu finden und eine IP-Adresse zu beziehen. Sollte dies scheitern, wird Zero Configuration Networking (Zeroconf) zur Auswahl einer IP-Adresse verwendet. Wenn die IP-Adresse mittels Zeroconf gesetzt wurde, befindet sie sich im Subnetz 169.254.0.0/16.

Die IP-Adresseneinstellungen können anhand einer der folgenden Methoden geändert werden:

- (Empfohlen) Anwendersoftware Avigilon Kamera-Installationstool.
- Webbrowser-Schnittstelle der Kamera:
`http://<camera IP address>/`
- ARP/Ping-Methode. Weitere Informationen finden Sie unter *Einstellen der IP-Adresse anhand der ARP/Ping-Methode*
- Anwendungssoftware Netzwerk-Video-Management (beispielsweise Avigilon Control Center).

HINWEIS: Der voreingestellte Benutzername der Kamera ist *admin* und das voreingestellte Passwort ist ebenfalls *admin*.

Zugriff auf den Live-Video-Stream

Der Live-Video-Stream kann anhand einer der folgenden Methoden betrachtet werden:

- (Empfohlen) Anwendersoftware Avigilon Kamera-Installationstool.
- Webbrowser-Schnittstelle der Kamera:
`http://<camera IP address>/`
- Anwendungssoftware Netzwerk-Video-Management (beispielsweise Avigilon Control Center).

HINWEIS: Der voreingestellte Benutzername der Kamera ist *admin* und das voreingestellte Passwort ist ebenfalls *admin*.

Ausrichten der Kamera

1. (Optional) Um das Ausrichten der Kamera zu erleichtern, können Sie ein Ethernetkabel mit der zweiten Ethernet-Schnittstelle in der Konfigurationskonsole verbinden. Beachten Sie, dass der primäre Ethernetanschluss an der Rückseite der Kamera ausschließlich für PoE verwendet wird, wenn die Ethernet-Konfigurationsschnittstelle im Einsatz ist.

Wichtig: Wenn die Ethernet-Konfigurationsschnittstelle verwendet wird, akzeptiert die Kamera nur deren Videostreams und Befehle. Außerdem zeigen die LED-Anzeigen den Verbindungsstatus nur für diese Ethernet-Schnittstelle an.

2. Um die Kamera auszurichten, lösen Sie die Einstellschrauben auf dem Haltearm der Kamera. Lösen Sie nur die Schrauben, die von dem im Lieferumfang enthaltenen manipulationssicheren Schlüssel gedreht werden können.
3. Drehen und bewegen Sie Kamera und Haltearm nach Bedarf. Überprüfen Sie die Video-Liveübertragung der Kamera, um die korrekte Ausrichtung festzustellen.
4. Schieben Sie die Sonnenblende nach vorn oder zurück, um die Kamera vor grellem Sonnenlicht zu schützen. Bei Inneninstallationen sollte die Sonnenblende so weit wie

möglich nach vorn geschoben werden, ohne das Videobild zu beeinträchtigen.

- Um die Sonnenblende zu verschieben, drücken Sie die schwarzen Zungen auf beiden Seiten der Kamera nach unten, und schieben Sie dann die Blende nach vorn oder zurück.
5. Wenn Sie die gewünschte Ausrichtung gefunden haben, ziehen Sie die Einstellschrauben auf dem Haltearm wieder an, um die Position der Kamera zu sichern.
 6. Mit dem Avigilon Kamera-Installationstool passen Sie die Bildeinstellungen und die gewünschte Zoomposition der Kamera an.

Fokussierung der Kamera

- Nehmen Sie die Fokussierung des Objektivs im Avigilon Kamera-Installationstool unter Bild- und Anzeige-Einstellungen der Kamera vor.
 - a. Klicken Sie auf die Schaltfläche **Autofokus**, um das Objektiv zu fokussieren.
 - b. Sollte die gewünschte Scharfeinstellung nicht erfolgt sein, verwenden Sie zur Fokussierung die Schaltflächen Nahfokus und Fernfokus.

Weitere Informationen

Weitere Informationen zur Einrichtung und Verwendung des Gerätes sind in den folgenden Anleitungen zu finden:

- *Benutzerhandbuch Avigilon Kamera-Installationstool*
- *Benutzerhandbuch Avigilon Control Center Client*
- *Benutzerhandbuch Avigilon HD H264 IP-Kamera*

Die Handbücher sind auf der Avigilon Webseite zu finden:

<http://avigilon.com/#/support-and-downloads>.

Anschluss an externe Geräte

Externe Geräte werden über das E/A-Kabel an die Kamera angeschlossen. Die folgende Tabelle enthält Hinweise zu den Verbindungen.

HINWEIS: Die Kamera kann über den E/A-Anschluss mit einem externen Mikrofon und Lautsprecher verbunden werden.

Tabelle: Externe E/A-Anschlüsse

Kabelfarbe	Beschreibung
Gelb	Audio-Erdrückleitung
Braun	Audio-Eingang
Grün	Audio-Ausgang
Grau	Relais-Erdrückleitung
Rosa	Relais Ausgang 1
Rot	Relais Eingang 1
Violett	+12 V Ausgang für Relaisansteuerung

HINWEIS: Der 12-Volt-Anschluss kann verwendet werden, um eine Relaispule mit bis zu 50 mA anzusteuern. Wenn mehr als 50 mA erforderlich sind, kann eine externe Stromquelle von bis zu 25 V Gleichspannung bei 120 mA verwendet werden.

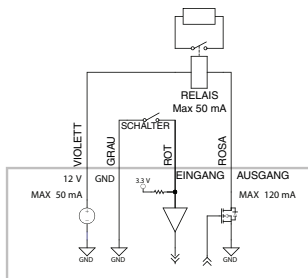


Abbildung: Schaltbild des externen E/A-Stromlaufplans und Beispielanwendung.

LED-Anzeigen

Sobald die Kamera mit einem Netzwerk verbunden ist, gibt die Status-LED der Kamera Auskunft über den Verbindungsfortschritt zur Netzwerk-Video-Managementsoftware.

Die folgende Tabelle beschreibt die Bedeutung der LED-Anzeigen:

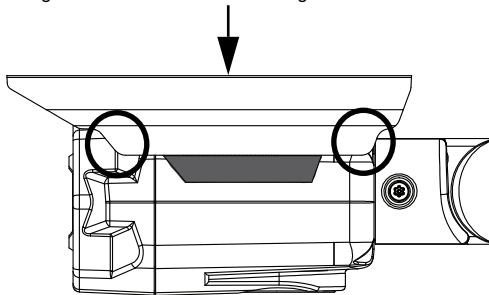
Tabelle:LED-Anzeigen

Verbindungs-status	Verbindungs-status-LED	Beschreibung
IP-Adresse wird abgerufen	Ein kurzes Blinken pro Sekunde	Es wird versucht, eine IP-Adresse abzurufen.
Feststellbar	Zweimaliges kurzes Blinken pro Sekunde	Es wurde eine IP-Adresse ermittelt, aber es besteht keine Verbindung mit Netzwerk-Video-Managementsoftware
Firmware wird aktualisiert	Zweimaliges kurzes und einmalig langes Blinken pro Sekunde	Firmware wird aktualisiert.
Verbunden	Ein	Mit Netzwerk-Video-Managementsoftware verbunden.

Abnehmen der Sonnenblende

Wenn die Kamera im Innenbereich angebracht wird, ist die Sonnenblende nicht erforderlich.

1. Drücken Sie die Mitte der Sonnenblende herunter und ziehen Sie gleichzeitig die Ecken der Blende an einer Seite der Kamera nach oben. Umgehen Sie die schwarze Zunge der Sonnenblendenhalterung.



Die Sonnenblende sollte sich nun von der Kamera heben lassen.

2. Verwenden Sie zum Abschrauben und Entfernen der Sonnenblendenhalterung von der Kamera einen 2 mm oder 5/64-Zoll Sechskant-Schraubendreher.

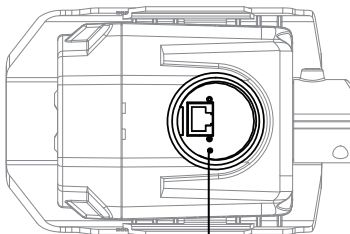
Erneutes Anbringen der Sonnenblende

1. Verwenden Sie zum Anschrauben der Sonnenblendenhalterung einen 2 mm oder 5/64-Zoll Sechskant-Schraubendreher.
2. Richten Sie eine Seite der Sonnenblende an der Halterung aus.
3. Drücken Sie die Mitte der Sonnenblende herunter, bis sie hörbar einrastet.

Rücksetzen auf Werkseinstellungen

Wenn die Kamera nicht mehr wie erwartet funktioniert, können Sie sie auf ihre Werkseinstellungen zurücksetzen.

Verwenden Sie die Reset-Taste zur Wiederherstellung des Firmware-Standards, um die Werkseinstellungen wiederherzustellen.



Reset-Taste zur Wiederherstellung
des Firmware-Standards

Abbildung: Der Mikroschalter zum Zurücksetzen der Firmware in der Konfigurationskonsole.

1. Stellen Sie sicher, dass die Kamera eingeschaltet ist.
2. Schrauben Sie die Kappe der Konfigurationskonsole an der Unterseite der Kamera mit dem mitgelieferten Öffnungswerkzeug ab.
3. Verwenden Sie eine gerade gezogene Büroklammer oder etwas ähnliches, um den Mikroschalter zum Zurücksetzen der Firmware zwei Sekunden lang zu betätigen.
4. Schrauben Sie die Kappe der Konfigurationskonsole wieder an.



Vorsicht – Wenden Sie keine Gewalt an. Zu tiefes Einführen des Werkzeugs führt zur Beschädigung des Gerätes.

Einstellen der IP-Adresse anhand der ARP/Ping-Methode

Führen Sie die folgenden Schritte aus, um die Kamera auf eine bestimmte IP-Adresse einzustellen:

1. Finden Sie die MAC-Adresse (MAC) auf dem Seriennummernschild und schreiben Sie diese auf.
2. Öffnen Sie ein Befehlszeilenfenster und geben Sie die folgenden Befehle ein:
 - a. `arp -s <Neue IP-Adresse der Kamera> <MAC-Adresse der Kamera>`
Ein Beispiel: `arp -s 192.168.1.10 00-18-85-12-45-78`
 - b. `ping -l 123 -t <Neue IP-Adresse der Kamera>`
Ein Beispiel: `ping -l 123 -t 192.168.1.10`
3. Starten Sie die Kamera erneut.
4. Schließen Sie das Befehlszeilenfenster, wenn folgende Meldung erscheint:
Antwort von *<Neue IP-Adresse der Kamera>*: ...

Spezifikationen

	H3-BO1-IR	H3-BO2-IR		
Kamera				
Audio-Ein-/Ausgangs	Line-Pegeleingang und -ausgang			
Objektiv	3-9 mm, F1,2, P-Iris mit Fernfokussierung und -Zoom	9-22 mm, F1,6, P-Iris mit Fernfokussierung und -Zoom		
Netzwerk				
Netzwerk	100BASE-TX			
Kabeltyp	CAT5			
Anschluss	RJ-45			
Anwendungsprogramm-Schnittstelle (API)	ONVIF-konform (www.onvif.org)			
Sicherheit	Passwort-Schutz, HTTPS Verschlüsselung, problemlose Authentifizierung, WS Authentifizierung, Nutzerzugangs-Log			
Protokolle	IPv4, HTTP, HTTPS, SOAP, DNS, NTP, RTSP, RTCP, RTP, TCP, UDP, IGMP, ICMP, DHCP, Zeroconf, ARP			
Streaming-Protokolle	RTP/UDP, RTP/UDP Multicast, RTP/RTSP/TCP, RTP/RTSP/HTTP/TCP, RTP/RTSP/HTTPS/TCP, HTTP			
Mechanisches				
Abmessungen LxBxH	241,7 mm x 94,9 mm x 70 mm (9,5" x 3,7" x 2,8")			
Gewicht	1,15 kg (2,5 lbs)			
Körper	Aluminium			
Gehäuse	Oberflächenmontage, Manipulationsgeschütztes			
Finish	Pulverbeschichtung, kühles grau 2			
Einstellbereich	±175° Schwenk-, -45° bis +90° Kipp-, ±175° Azimuteinstellung			
Kabellänge	45 cm (17,72")			
Elektrisch				
Stromverbrauch	22 W mit externer Stromquelle 12,95 W mit IEEE802.3af Klasse 3 PoE			
Stromquelle	VDC: 12 V +/-10%, 22 W min VAC: 24 V +/-10%, 28 VA min PoE: IEEE802.3af Klasse 3 kompatibel			
Umgebung				
Betriebstemperatur	-40 °C bis +50 °C (40 °F bis 122 °F)			
Lagertemperatur	-10 °C bis +70 °C (14 °F bis 158 °F)			
Feuchtigkeit	20 - 80% relative Luftfeuchtigkeit (nicht kondensierend)			
Zertifizierungen				
Sicherheit	UL 60950 CE	CSA 60950 ROHS	CB Scheme WEEE	UVV C-Tick
Umgebung	IK10 Stoßfestigkeit		Entspricht Schutzklasse IP66	
Elektromagnetische Emissionen	FCC Part 15 Subpart B Class B EN 55022 Class B		IC ICES-003 Class B	
Elektromagnetische Störfestigkeit	EN 55024 Klasse B EN 61000-4-4	EN 61000-4-2 EN 61000-4-5	EN 61000-4-3 EN 61000-4-6	EN 61000-4-11

Garantiebedingungen und technischer Support

Avigilon Avigilon garantiert dem Originalkäufer für einen Zeitraum von 3 Jahren ab Kaufdatum, dass dieses Produkt frei von Material- und Verarbeitungsschäden ist.

Die Herstellerhaftung ist auf den Ersatz des Produktes, dessen Reparatur oder Ersatz durch ein repariertes Produkt beschränkt, je nach Ermessen des Herstellers. Diese Garantie erlischt, wenn das Produkt durch Unfall, unangemessenen Gebrauch, Verwahrlosung, Manipulation oder aus anderen Gründen beschädigt wurde, die nicht auf Fehlern des Materials oder der Verarbeitung beruhen. Diese Garantie ist auf den Originalkäufer des Produktes begrenzt.

AVIGILON SCHLIESST ALLE ANDEREN AUSDRÜCKLICHEN ODER STILLSCHWEIGENDEN GARANTIEEN AUS, EINSCHLIESSLICH, UND OHNE EINSCHRÄNKUNG, DIE STILLSCHWEIGENDE ZUSAGE DER VERKAUFSFÄHIGKEIT ODER EIGNUNG FÜR EINEN BESTIMMTEN ZWECK, MIT AUSNAHME GESETZLICH VORGESCHRIEBENER GARANTIEEN, DIE NICHT RECHTSGÜLTIG AUSGESCHLOSSEN WERDEN KÖNNEN.

Mündliche oder schriftliche Informationen, Ratschläge oder Darstellungen von Avigilon, seinen Vertriebsfirmen, Händlern, Agenten oder Mitarbeitern bringen keine weitere Garantie oder die Modifizierung dieser Garantie hervor. Diese Garantie stellt Avigilons gesamte Haftung sowie Ihren ausschließlichen Anspruch gegen Avigilon im Falle eines Ausfalls dieses Produktes dar.

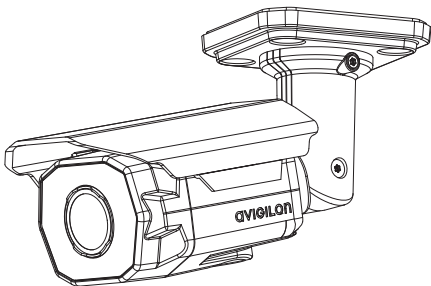
Avigilon ist in keinem Fall haftbar zu machen für indirekte, zufällige, spezielle, beispielhafte Folge- oder Bußgeldschäden jeder Art (einschließlich, ohne sich jedoch darauf zu beschränken, für Schäden durch entgangenen Gewinn oder durch vertrauliche oder sonstige Informationen, für Betriebsunterbrechung, Personenschaden, Datenschutzverletzung, Pflichtverletzung, einschließlich Treuepflicht und angemessene Sorgfalt, für Fahrlässigkeit und jeglichen anderen finanziellen oder anders gearteten Verlust), die aus der Verwendung des Produktes entstehen, selbst wenn auf die Möglichkeit solcher Schäden hingewiesen wurde. Da einige Gerichtsbarkeiten die vorstehenden Haftungsbeschränkungen nicht anerkennen, sind solche Beschränkungen möglicherweise für Sie nicht zutreffend.

Diese beschränkte Gewährleistung räumt Ihnen bestimmte Ansprüche ein; daneben können Sie, je nach Gerichtsbarkeit, auch über weitergehende Ansprüche verfügen.

Um Garantiedienstleistungen und technischen Support zu erhalten, setzen Sie sich telefonisch mit Avigilons technischem Support unter 1.888.281.5182 in Verbindung oder senden Sie eine E-Mail an support@avigilon.com.

AVIGILON

THE BEST EVIDENCE™



Guia de Instalação

Modelos de câmera Avigilon H.264 IP de alta definição:

1.0W-H3-B01-IR, 1.0W-H3-B02-IR, 2.0W-H3-B01-IR, 2.0W-H3-B02-IR, 3.0W-H3-B01-IR, 3.0W-H3-B02-IR, 5.0-H3-B01-IR e 5.0-H3-B02-IR

Informações de Segurança Importantes

Este manual fornece informações de instalação e operação bem como de precauções para o uso desta câmera. A instalação incorreta poderia provocar falha inesperada. Antes de instalar o equipamento, leia com atenção este manual. Forneça este manual ao proprietário do equipamento para uso futuro.



O símbolo de Aviso indica a presença de voltagem perigosa dentro e fora do compartimento do produto, o que pode constituir risco de choque elétrico, lesões graves ou morte das pessoas se as devidas precauções não forem seguidas.



O símbolo de Cuidado alerta o usuário para a presença de perigos que podem causar danos leves ou moderados a pessoas, danos à propriedade ou danos ao produto propriamente dito, se as devidas precauções não forem seguidas.



Aviso — Deixar de observar as seguintes instruções pode resultar em ferimentos graves ou morte.

- A instalação deve ser realizada por pessoal qualificado e deve estar em conformidade com todas as normas locais.
- Este produto é destinado a ser fornecido por uma unidade de alimentação relacionada em UL, identificada como de “Classe 2” ou “LPS” ou “Fonte de alimentação limitada”, com saída nominal de 12 VCC ou 24 VCA, 22 W mín. ou Alimentação via Ethernet (PoE), classificada como 48 VCC, 22 W mín.
- Qualquer fonte de alimentação externa conectada a este produto somente pode ser conectada a outro produto Avigilon da mesma série do modelo. As conexões de alimentação externas deverão ser devidamente isoladas.
- Não conecte diretamente à rede elétrica qualquer que seja o motivo.



Cuidado — Deixar de observar as seguintes instruções pode resultar em ferimentos ou danos à câmera.

- Não instale próximo a nenhuma fonte de calor, como radiadores, aquecedores, fogões ou outras fontes de calor.
- Não exponha os cabos a pressão excessiva, cargas pesadas ou compressão.
- Não lubrifique nem desmonte o dispositivo. Não há nenhuma peça que possa ser reparada pelo usuário.
- Solicite toda a manutenção ao pessoal qualificado. Talvez seja necessário realizar a manutenção quando o dispositivo estiver danificado (como em função de um líquido derramado ou objetos caídos), exposto à chuva ou umidade, não funcionar normalmente ou tiver caído.
- Não utilize detergentes fortes ou abrasivos durante a limpeza do corpo do dispositivo.
- Use apenas acessórios recomendados pela Avigilon.
- O uso de controles, ajustes e desempenho dos procedimentos que não sejam os especificados neste manual podem resultar em exposição prejudicial a radiação.

Avisos Regulatórios

Este dispositivo está em conformidade com a parte 15 das Normas da FCC. A operação está sujeita às seguintes condições: (1) Este dispositivo não poderá causar interferência prejudicial e (2) Este dispositivo deverá aceitar qualquer interferência recebida, incluindo interferências que possam causar operação indesejada.

Este dispositivo digital de Classe B está de acordo com o padrão canadense ICES-003.

Aviso da FCC

Este equipamento foi testado e está em conformidade com os limites para um dispositivo de informática de Classe B, conforme a Subparte B da Parte 15 das normas da FCC, que foram elaboradas para fornecer proteção razoável contra tais interferências quando operado em um ambiente comercial. A operação deste equipamento em uma área residencial pode causar interferência, caso em que o usuário à própria custa será solicitado a adotar todas as medidas necessárias para corrigir a interferência.

Alterações ou modificações feitas a este equipamento que não sejam aprovadas expressamente pela Avigilon Corporation ou terceiros autorizados pela Avigilon Corporation podem anular a autoridade do usuário de operar este equipamento.

Informações de Descarte e Reciclagem

Quando este produto atingir o fim de sua vida útil, descarte-o de acordo com as leis e diretrizes ambientais.

União Europeia:



Este símbolo significa que, de acordo com as leis e regulamentos locais, o produto deve ser descartado separadamente do lixo doméstico. Quando este produto atingir o fim de sua vida útil, leve-o até um ponto de coleta designado pelas autoridades locais. Alguns pontos de coleta aceitam produtos gratuitamente. A coleta seletiva e a reciclagem do produto no momento do descarte ajudarão a preservar os recursos naturais e assegure-se de que seja reciclado de forma que proteja a saúde humana e o meio ambiente.

Outros Avisos

Aviso de Compilação e Publicação

Este manual foi compilado e publicado abrangendo as últimas descrições e especificações do produto. O conteúdo deste manual e as especificações deste produto estão sujeitos a alterações sem prévio aviso. A Avigilon se reserva o direito de fazer alterações sem prévio aviso nas especificações e materiais contidos no presente e não será responsável por quaisquer danos (incluindo consequenciais) causados por confiança nos materiais apresentados, incluindo, mas sem limitação, erros tipográficos e outros relacionados com a publicação.

Direitos de Propriedade Intelectual

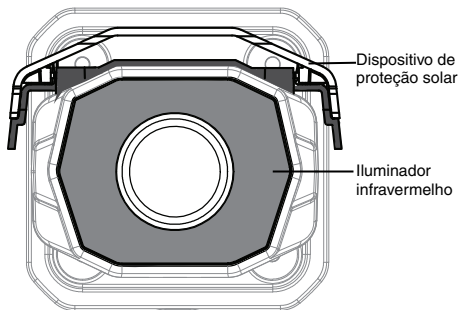
Nenhuma licença é concedida por implicação ou, de outra forma, sob nenhum design industrial, direito de design industrial, patentes, direitos de patente ou direitos autorais da Avigilon Corporation ou seus licenciados. Todas as marcas comerciais e registradas pertencem a seus respectivos proprietários.

Índice

Visão Geral	1
Vista dianteira	1
Vista inferior	2
Vista lateral	3
Instalação	4
Conteúdo da embalagem da câmera	4
Etapas de instalação	4
Como acrescentar os orifícios de fixação ...	4
Cabos de conexão	5
Montagem da câmera	5
Atribuindo um endereço IP	6
Acessando o fluxo de vídeo ao vivo	6
Direcionando a Câmera Dome	7
Focalizando a câmera	8
Para obter mais informações	8
Conectando-se a dispositivos externos	9
LEDs indicadores	10
Como remover o dispositivo de proteção solar	11
Como reinstalar o dispositivo de proteção solar ..	11
Restaurar as configurações padrão de fábrica	12
Configurando o endereço IP pelo método ARP/Ping	13
Especificações	14
Garantia Limitada e Suporte Técnico	15

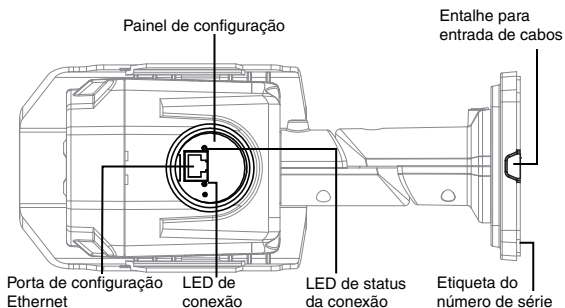
Visão Geral

Vista dianteira



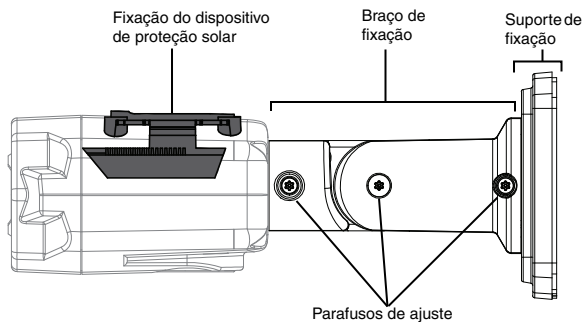
Recurso	Descrição
Dispositivo de proteção solar	Uma cobertura ajustável para ajudar a proteger a lente contra o brilho do sol.
Iluminador infravermelho	Fornecer iluminação de cenas no espectro infravermelho.

Vista inferior



Recurso	Descrição
Painel de configuração	Porta de acesso rápido para configurar a câmera durante a instalação. Para acessar o painel de configuração, remova o tampo com a ferramenta de abertura inclusa.
Porta de configuração Ethernet	Porta Ethernet secundária para configuração da câmera. Não aceita PoE.
LED de conexão	Indica se há uma conexão ativa na porta Ethernet. A luz acesa indica que há uma conexão de rede ativa.
LED de status da conexão	Fornecer informações sobre a operação do dispositivo. Consulte a seção sobre LEDs indicadores para obter mais informações.
Entalhe para entrada de cabos	Um entalhe para entrada de cabos de rede, alimentação e E/S.
Etiqueta do número de série	Número de série do produto e rótulo do número da peça.

Vista lateral



Recurso	Descrição
Fixação do dispositivo de proteção solar	Suporte de fixação do dispositivo de proteção solar.
Braço de fixação	Braço ajustável de fixação para posicionar a câmera.
Suporte de fixação	Possibilita que a câmera seja instalada embutida ou sobre uma superfície.
Parafusos de ajuste	Fornecem um mecanismo de trava para o braço de fixação.

Instalação

Conteúdo da embalagem da câmera

Certifique-se de que a embalagem contenha o seguinte:

- Câmera bullet IP de alta definição Avigilon
- Tecla inviolável T20 TORX
- 4 parafusos e âncoras para paredes sólidas
- Matriz de perfuração
- Ferramenta de abertura do painel de configuração

Etapas de instalação

Realize os seguintes procedimentos para instalar a câmera.

1. *Como acrescentar os orifícios de fixação na página 4*
2. *Cabos de conexão na página 5*
3. *Montagem da câmera na página 5*
4. *Atribuindo um endereço IP na página 6*
5. *Acessando o fluxo de vídeo ao vivo na página 6*
6. *Direcionando a Câmera Dome na página 7*
7. *Focalizando a câmera na página 8*

Como acrescentar os orifícios de fixação

1. Use o gabarito de furação para fazer quatro orifícios de fixação no teto ou parede.
 - Só perfure o orifício central opcional caso esteja embutindo a câmera. Uma vez que o orifício central de cabeamento tenha sido perfurado, puxe os cabos necessários através dele.

Cabos de conexão

Para conectar os cabos necessários para o funcionamento adequado, complete o seguinte:

1. Se não houver entrada externa ou dispositivos de saída que precisem ser conectados à câmera (por exemplo: contatos de porta, relés, alto-falantes, etc.), conecte os dispositivos ao cabo conector de E/S da câmera.
Para mais informações, consulte *Conectando-se a dispositivos externos*.
2. Conecte a energia usando um dos métodos a seguir:
 - Alimentação via Ethernet (PoE) Classe 3 — Se PoE estiver disponível, a câmera é automaticamente detectada quando o cabo de rede for conectado.
 - Alimentação externa — Conecte a câmera a uma fonte de alimentação externa de 12 V CC ou 24 V CA através dos cabos de alimentação auxiliares.
3. Conecte a porta Ethernet (conector RJ45) a uma rede usando um cabo de rede Ethernet. O LED “Link” no painel de configuração na parte inferior da câmera se acenderá assim que uma conexão de rede for estabelecida.
4. Verifique se o LED “Connection Status” no painel de configuração exibe o estado correto.
Para mais informações, consulte *LEDs indicadores*.

Montagem da câmera

Depois de fazer a ligação dos cabos, fixe e prenda a câmera.

1. Acondicione as sobras de cabo:
 - Caso esteja embutindo a câmera, force o que sobrou do cabo para dentro do orifício de cabeamento na parede ou teto.
 - Caso esteja fixando a câmera em uma superfície, remova a gaxeta de fixação e empurre os cabos

conectados para um lado através do entalhe para entrada de cabos no suporte de fixação. Em instalações em ambientes externos, o entalhe para entrada de cabos deve ficar voltado para baixo.

2. Assegure-se de usar a gaxeta de fixação ao embutir a câmera.

Em instalações em ambientes externos, a gaxeta é necessária para preservar a resistência a água do suporte de fixação.

3. Insira os parafusos inclusos nos orifícios de fixação e aperte o suporte da câmera contra a superfície de fixação.

Atribuindo um endereço IP

Por padrão, a câmera obtém um endereço IP automaticamente. Após ser conectado a uma rede, tentará localizar e obter um endereço IP de um servidor DHCP. Se falhar, a rede de configuração zero (Zeroconf) é usada para escolher um endereço IP. Se o endereço IP for definido usando o Zeroconf, o endereço IP estará na sub-rede 169.254.0.0/16.

As configurações de endereço IP podem ser alteradas usando um dos seguintes métodos:

- (Recomendado) Avigilon Aplicativo de software Camera Installation Tool [Ferramenta de Instalação de Câmera].
- Interface do navegador da Internet da câmera:
`http://<endereço IP da câmera>/`
- Método ARP/Ping. Para obter mais informações, consulte *Configurando o endereço IP pelo método ARP/Ping*.
- Aplicativo de software de Gerenciamento de Vídeo de Rede (por exemplo, Avigilon Control Center).

OBSERVAÇÃO: O nome de usuário padrão da câmera é **admin**, e a senha padrão é **admin**.

Acessando o fluxo de vídeo ao vivo

O fluxo de vídeo ao vivo pode ser visualizado por meio de um dos seguintes métodos:

- (Recomendado) Avigilon Aplicativo de software Camera Installation Tool [Ferramenta de Instalação de Câmera].
- Interface do navegador da Internet da câmera:
<http://<endereço IP da câmera>/>.
- Aplicativo de software de Gerenciamento de Vídeo de Rede (por exemplo, Avigilon Control Center).

OBSERVAÇÃO: O nome de usuário padrão da câmera é *admin*, e a senha padrão é *admin*.

Direcionando a Câmera Dome

1. (Opcional) Para facilitar o direcionamento da câmera, você pode conectar um cabo Ethernet à porta Ethernet secundária no painel de configuração.
Leve em conta que, enquanto a porta de configuração Ethernet estiver em uso, a porta Ethernet principal, na parte traseira da câmera, só será usada para PoE.

Importante: Enquanto a porta de configuração Ethernet estiver em uso, a câmera enviará sinal de vídeo apenas para essa porta e só aceitará comandos dessa porta. Além disso, os LEDs indicadores só mostrarão o status da conexão para essa porta.

2. Para direcionar a câmera, afrouxe os parafusos de ajuste no braço de fixação.
Só afrouxe os parafusos que podem ser girados com a chave contra alterações inclusa.
3. Gire e mova a câmera e o braço de fixação conforme necessário. Examine o sinal de vídeo ao vivo da câmera para ajudar a direcioná-la corretamente.
4. Deslize o dispositivo de proteção solar para frente ou para trás de modo a proteger a câmera do brilho do sol. Em instalações em ambiente externo, o dispositivo de proteção solar deve ser ajustado de modo a posicionar-se o mais para frente possível sem que isso interfira na imagem do vídeo.
 - Para mover o dispositivo de proteção solar, abaixe as abas pretas nas laterais da câmera e deslize o

dispositivo de proteção solar para a frente ou para trás.

5. Assim que estiver satisfeito, aperte os parafusos de ajuste no braço de fixação para firmar a posição da câmera.
6. Usando a Avigilon Camera Installation Tool, ajuste as configurações de Image e Display da câmera para obter a posição desejada de zoom.

Focalizando a câmera

- Na ferramenta de instalação da câmera Avigilon, use as configurações de imagem e exibição da câmera para focalizar a lente da câmera.
 - a. Clique no botão **Auto Focus** (Foco automático) para focalizar a lente.
 - b. Se o foco desejado não foi alcançado, use os botões de aproximação e afastamento de foco para ajustá-lo.

Para obter mais informações

As informações adicionais sobre como configurar e usar o dispositivo estão disponíveis nos seguintes guias:

- *Guia do Usuário da Ferramenta de Instalação da Câmera Avigilon*
- *Guia do Usuário Cliente do Centro de Controle Avigilon*
- *Guia do Usuário da Câmera Avigilon IP H.264 de Alta Definição*

Os manuais estão disponíveis no website da Avigilon:

<http://avigilon.com/#/support-and-downloads>.

Conectando-se a dispositivos externos

Dispositivos externos são conectados à câmera através do cabo de E/S. Consulte a tabela a seguir para as conexões.

OBSERVAÇÃO: A câmera pode ser conectada a um microfone e caixa de som externos através do conector de E/S.

Table:Conexões de E/S externas

Cor do Cabo	Descrição
Amarelo	Retorno terra de áudio
Marrom	Entrada de áudio
Verde	Saída de áudio
Cinza	Retorno do terra do relé
Rosa	Saída 1 do relé
Vermelho	Entrada 1 do relé
Violeta	+12 Saída V para a unidade do relé

OBSERVAÇÃO: A conexão de 12 V pode ser usada para energizar uma bobina de relê de até 50 mA. Caso haja necessidade de mais de 50 mA, pode-se usar uma fonte de alimentação externa de até 25 V CC e 120 mA.

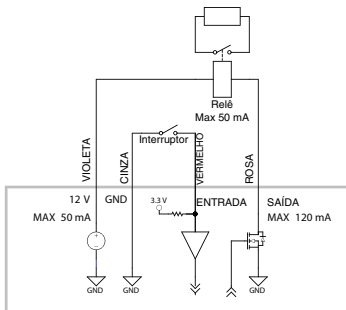


Figura: Esquemas de E/S externa e exemplo de aplicação.

LEDs indicadores

Quando a câmera estiver conectada à rede, os LEDs do status de conexão mostrarão o progresso da câmera durante a conexão ao software de gerenciamento de vídeo em rede.

A tabela abaixo descreve o que os LEDs indicam:

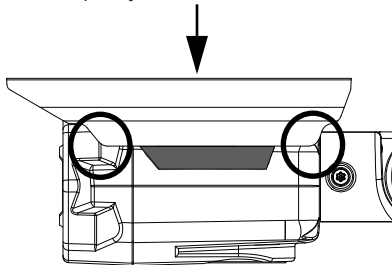
Table:LEDs indicadores

Status da conexão	LED de status da conexão	Descrição
Obtendo Endereço IP	Um flash curto a cada segundo	Tentando obter um endereço IP.
Descobrível	Dois flashes curtos a cada segundo	Obteve um endereço IP mas não está conectado ao software de Gerenciamento de Vídeo de Rede.
Atualização do Firmware	Dois flashes curtos e um flash longo a cada segundo	Atualização do firmware.
Conectado	Ligado	Conectado ao software de Gerenciamento de Vídeo de Rede.

Como remover o dispositivo de proteção solar

O dispositivo de proteção solar é desnecessário em instalações da câmera em ambientes internos.

1. Ao mesmo tempo em que aperta o centro do dispositivo de proteção solar, puxe os cantos para cima a partir de um lado da câmera. Evite a aba preta no fixador do dispositivo de proteção solar.



O dispositivo de proteção solar deve se soltar da câmera.

2. Use uma chave sextavada de 2 mm ou 5/64" para desparafusar e remover o fixador do dispositivo de proteção solar da câmera.

Como reinstalar o dispositivo de proteção solar

1. Use uma chave sextavada de 2 mm ou 5/64" para parafusar o fixador do dispositivo de proteção solar.
2. Alinhe um lado do dispositivo de proteção solar com o fixador.
3. Aperte o centro do dispositivo de proteção solar até que ele se encaixe com um estalo.

Restaurar as configurações padrão de fábrica

Se a câmera deixar de funcionar conforme o esperado, você pode optar por restaurar a câmera para as configurações padrão de fábrica.

Use o botão de reversão de firmware para reconfigurar a câmera.

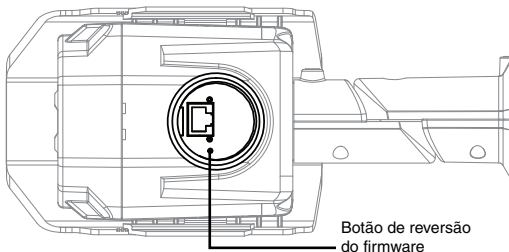


Figura: Microswitch de reversão do firmware no painel de configuração.

1. Assegure-se de que a câmera esteja ligada.
2. Com a ferramenta de abertura inclusa, desparafuse o tampo do painel de configuração na base da câmera.
3. Usando um clipe de papel esticado ou ferramenta similar, pressione levemente e segure o micro comutador de reversão de firmware por dois segundos.
4. Parafuse o tampo do painel de configuração de volta no lugar.



Cuidado — Não use força excessiva. Inserir a ferramenta com profundidade excessiva danificará o dispositivo.

Configurando o endereço IP pelo método ARP/Ping

Realize as etapas a seguir para configurar a câmera para usar um endereço IP específico:

1. Localize e anote o endereço MAC (MAC) listado na etiqueta do número de série para referência.
2. Abra uma janela de Comando de Prompt e insira os seguintes comandos:
 - a. `arp -s <Novo endereço IP da câmera> <Endereço MAC da câmera>`
Por exemplo: `arp -s 192.168.1.10 00-18-85-12-45-78`
 - b. `ping -l 123 -t <Novo endereço IP do codificador>`
Por exemplo: `ping -l 123 -t 192.168.1.10`
3. Reinicialize a câmera.
4. Feche a janela de Comando de Prompt ao ver a seguinte mensagem:
Resposta de **<Novo Endereço IP da Câmera>**:...

Especificações

	H3-BO1-IR	H3-BO2-IR		
Câmera				
Entrada/saída de áudio	Entra e saída de nível de linha			
Lente	3-9 mm, F1.2, P-Íris, foco remoto e zoom	9-22 mm, F1.6, P-Íris, foco remoto e zoom		
Rede				
Rede	100Base-TX			
Tipo de cabeamento	CAT5			
Conector	RJ-45			
API	Conformidade com ONVIF (www.onvif.org)			
Segurança	Proteção por senha, criptografia HTTPS, autenticação resumida, autenticação WS, registro de acesso do usuário			
Protocolos	IPv4, HTTP, HTTPS, SOAP, DNS, NTP, RTSP, RTP, TCP, UDP, IGMP, ICMP, DHCP, Zeroconf, ARP			
Protocolos de streaming	RTP/UDP, multicast RTP/UDP, RTP/RTSP/TCP, RTP/RTSP/HTTP/TCP, RTP/RTSP/HTTPS/TCP, HTTP			
Dimensões mecânicas				
Dimensões CxLxA	241,7 mm x 94,9 mm x 70 mm (9,5" x 3,7" x 2,8")			
Peso	1,15 kg (2,5 lbs)			
Corpo	Alumínio			
Compartimento	Montagem em superfície, inviolável			
Acabamento	Revestimento a pó, cinza claro 2			
Faixa de ajuste	Panorâmica a $\pm 175^\circ$, inclinação a -45° a $+90^\circ$, azimute a $\pm 175^\circ$			
Comprimento do cabo	45 cm (17.72")			
Dados elétricos				
Consumo de energia	22 W com alimentação externa 12,95 W com alimentação PoE IEEE 802.3af Classe 3			
Fonte de alimentação	VCC: 12 V +/-10%, 22 W mín VCA: 24 V +/-10%, 28 VA mín PoE: Compatível com IEEE802.3af classe 3			
Dados ambientais				
Temperatura de operação	-40°C a +50°C (-40 °F a 122 °F)			
Temperatura de armazenamento	-10°C a +70°C (14°F a 158 °F)			
Umidade	Umidade relativa de 20 - 80% (sem condensação)			
Certificações				
Segurança	UL 60950 CE	CSA 60950 ROHS	Esquema CB WEEE	UVV C-Tick
Dados elétricos	Avaliação de impacto IK10 Em conformidade com a classificação atmosférica IP66			
Emissões eletromagnéticas	FCC, Parte 15, Subparte B, Classe B IC ICES-003 Classe B		EN 55022 Classe B	
Imunidade eletromagnética	EN 55024 Classe B EN 61000-4-4 EN 61000-4-11	EN 61000-4-2 EN 61000-4-5	EN 61000-4-3 EN 61000-4-6	

Garantia Limitada e Suporte Técnico

A Avigilon garante ao comprador consumidor original, que este produto estará livre de defeitos de material e manufatura por um período de 3 anos a partir da compra.

Segundo o presente, a responsabilidade do fabricante limita-se à substituição do produto, reparo do produto ou substituição do produto com o produto reparado, a critério do fabricante. Esta garantia é nula se o produto tiver sido danificado por acidente, uso não razoável, negligência, adulteração ou outras causas não resultantes de defeitos no material ou mão de obra. Esta garantia estende-se apenas ao comprador e consumidor original do produto.

A Avigilon RECUSA TODAS AS DEMAIS GARANTIAS EXPRESSAS OU IMPLÍCITAS, INCLUINDO, SEM LIMITAÇÃO, QUALQUER GARANTIA IMPLÍCITA DE COMERCIALIZAÇÃO OU ADEQUAÇÃO A UMA FINALIDADE ESPECÍFICA, EXCETO NA MEDIDA EM QUE QUALQUER GARANTIA IMPLÍCITA PELA LEGISLAÇÃO NÃO PUDE SER RECUSADA DE MANEIRA VÁLIDA.

Nenhuma informação verbal ou escrita, orientação ou declaração fornecida pela Avigilon, seus distribuidores, revendedores, agentes ou funcionários deverá criar outra garantia ou modificar esta garantia. A presente garantia declara a inteira responsabilidade da Avigilon e sua exclusiva solução em relação à Avigilon por qualquer falha que impeça este produto de funcionar corretamente.

Em nenhum caso a Avigilon será responsabilizada por quaisquer danos indiretos, incidentais, especiais, consequenciais, exemplares ou punitivos de qualquer natureza (incluindo, mas sem limitação, danos por lucro cessante ou informações confidenciais ou de outro tipo, interrupção de negócios, danos pessoais, perda de privacidade, não cumprimento de qualquer obrigação, incluindo de boa-fé ou de cuidado razoável, negligência e quaisquer outras perdas pecuniárias de qualquer outra natureza) decorrentes da utilização ou incapacidade de utilizar o produto, mesmo que orientada sobre a possibilidade de tais danos. Como algumas jurisdições não permitem a limitação de responsabilidade acima, tal limitação poderá não ser aplicável a você.

A presente Garantia Limitada lhe concede direitos específicos legais e você pode ter também outros direitos que variam de uma jurisdição para outra.

O serviço de garantia e o suporte técnico podem ser obtidos contatando o Suporte Técnico Avigilon pelo telefone 1.888.281.5182 ou por e-mail: support@Avigilon.com.

AVIGILON
THE BEST EVIDENCE™

© 1/25/13 Avigilon Corporation