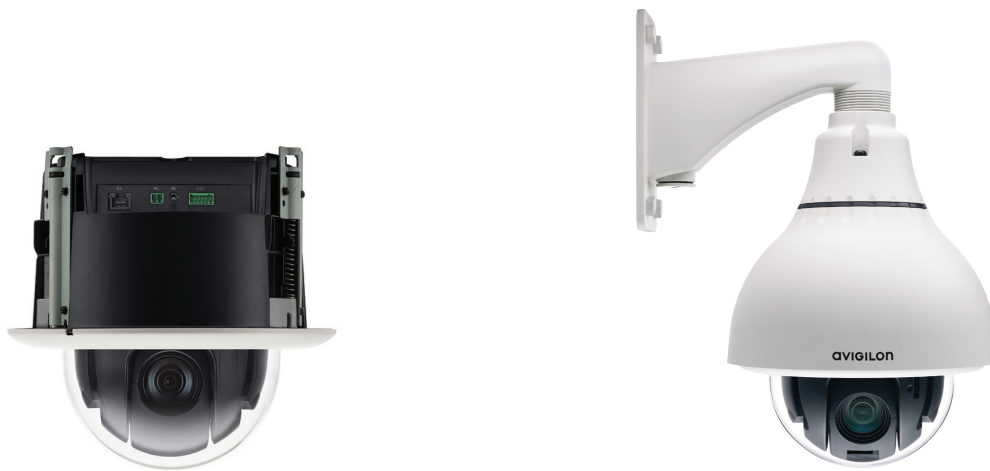


# Day/Night 20x HD PTZ Dome Cameras

AVIGILON

Avigilon offers the broadest range of high definition cameras in the industry – from 1 – 5 MP and 4 – 7K (based on horizontal resolution) – and are available in a variety of formats, including dome, panoramic and fixed. Whether it's a small storefront that requires a few cameras or a large complex system requiring complete coverage of numerous areas, you can trust that you're getting the best solution for your security needs.

The innovative HD PTZ camera is just one way Avigilon can help provide the very best monitoring and protection.



Avigilon's HD PTZ camera offers unsurpassed image quality with precise positioning and predictable high-speed tracking. Underpinned by the H3 platform, the HD PTZ camera takes advantage of enhanced High-Definition Stream Management™ technology to lower bandwidth and storage requirements, while providing incredible low light performance. The camera features a 20x optical zoom with up to 12x digital zoom, and provides continuous 360° degree rotation at up to 450° per second. The unique design of the in-ceiling variant mount allows for simple installation in just seconds and makes it an ideal camera for indoor applications in retail, casino and commercial environments. The pendant variant is targeted specifically at indoor and outdoor expansive areas with manned operations, such as large retail chains, airports, petrochemical, casinos and city surveillance.

## KEY FEATURES

Progressive scan CMOS sensor
Easily track targets with 360 degree endless rotation
Able to move at up to 450 degrees per second
4.7-94 mm, F1.6 lens with 20x zoom
Provides smooth operation and captures fluid motion at 30 frames per second
H.264 and Motion JPEG compression
ONVIF compliant API
Hide sensitive areas with 3D privacy mask
Automatic exposure control and iris control
Automatic removable IR cut filter for IR sensitivity at night
Power over Ethernet, 24 VAC or 24 VDC power input
External microphone and speaker support for two-way audio
External I/O interface for connecting alarms and relays
Pendant variant supports broad environmental conditions for challenging outdoor installations

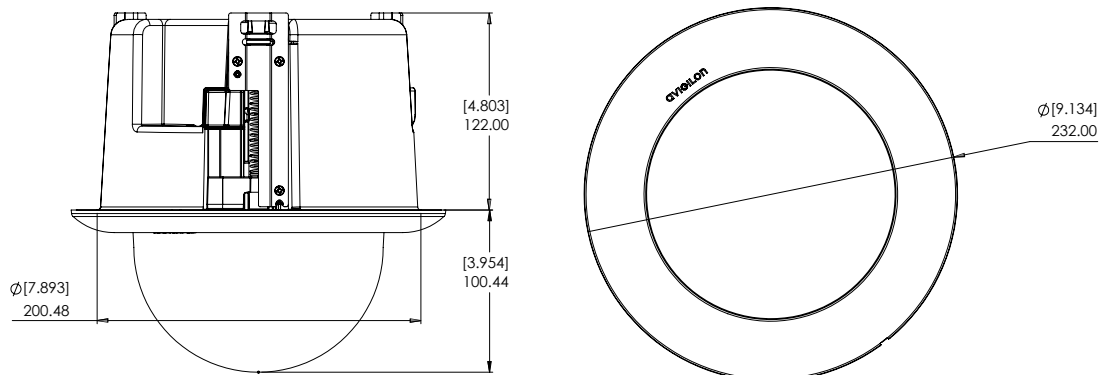
# Specifications

HD PTZ CAMERAS

	IN-CEILING PTZ DOME CAMERA				PENDANT PTZ DOME CAMERA			
<b>IMAGE PERFORMANCE</b>	Image Sensor	WDR 1/2.8" progressive scan CMOS						
	Active Pixels	1.0 MP:	1280 (H) x 720 (V)		2.0 MP:	1920 (H) x 1080 (V)		
	Imaging Area	4.8 mm (H) x 2.7 mm (V); 0.189" (H) x 0.106" (V)						
	Minimum Illumination	0.4 lux (F1.6) in color mode; 0.04 lux (F1.6) in monochrome mode						
	Dynamic Range	100 dB						
	Image Rate	30 (all resolutions)						
	Resolution Scaling	Down to 352 x 240						
<b>LENS</b>	Lens	4.7-94 mm, 20x zoom, F1.6 and automatic focus						
	Angle of View	2.9° - 55.2°						
<b>IMAGE CONTROL</b>	Image Compression Method	H.264 (MPEG-4 Part 10/AVC), Motion JPEG						
	Streaming	Multi-stream H.264 and Motion JPEG						
	Motion Detection	Selectable sensitivity and threshold						
	Electronic Shutter Control	Automatic, Manual (1/6 to 1/8000 sec)						
	Iris Control	Automatic, Manual						
	Day/Night Control	Automatic, Manual						
	Flicker Control	50 Hz, 60 Hz						
	White Balance	Automatic, Manual						
	Backlight Compensation	Adjustable						
	Privacy Zones	Up to 64 zones, 3D privacy mask supported						
	Presets	100 named presets						
	Tours	10 named guard tours						
	Audio Compression Method	G.711 PCM 8 kHz						
	Audio Input/Output	Line level input and output						
	Video Output	NTSC/PAL						
External I/O Terminals	Alarm In, Alarm Out							
<b>NETWORK</b>	Network	100BASE-TX						
	Cabling Type	CAT5						
	Connector	RJ-45						
	API	ONVIF compliance version 1.02, 2.00, Profile S ( <a href="http://www.onvif.org">www.onvif.org</a> )						
	Security	Password protection, HTTPS encryption, digest authentication, WS authentication, user access log, 802.1x port based authentication						
	Protocol	IPv4, HTTP, HTTPS, SOAP, DNS, NTP, RTSP, RTCP, RTP, TCP, UDP, IGMP, ICMP, DHCP, Zeroconf, ARP, LLDP						
	Streaming Protocols	RTP/UDP, RTP/UDP multicast, RTP/RTSP/TCP, RTP/RTSP/HTTP/TCP, RTP/RTSP/HTTPS/TCP, HTTP						
<b>MECHANICAL</b>	Dimensions (ØxH)	232 mm x 222.44 mm; 9.134" x 8.757"			226 mm x 299.77 mm; 8.9" x 11.8"			
	Weight	2.18 kg (4.85 lbs)			3.9 kg (8.6 lbs)			
	Dome Bubble	Acrylic, clear; Polycarbonate, clear			Polycarbonate, clear			
	Body	Plastic, plenum rated (UL 2043)			Aluminum			
	Housing	Recessed mount			Pendant mount			
	Finish	Plastic, RAL 9003			Powder coat, cool gray 2			
	Tilt	186°, E-flip, 0.05 - 360°/sec						
	Pan	360°, endless, 0.05 - 450°/sec						
<b>ELECTRICAL</b>	Power Consumption	19 W with external power or IEEE 802.3at Class 4 PoE Plus (27 VA with AC Power)			35 W (50 VA with AC Power) 25.5 W with IEEE 802.3at Class 4 PoE Plus			
	Power Source	VDC: 24 V +/- 10%		VAC: 24 V +/- 10%		PoE: IEEE 802.3at Class 4 PoE Plus compliant		
	Power Connector	2-pin terminal block			Waterproof 2-pin connector			
<b>ENVIRONMENTAL</b>	Operating Temperature	-10 °C to +50 °C (14 °F to 122 °F)			-45 °C to +50 °C (-50 °F to 122 °F) with external power -30 °C to +50 °C (-22 °F to 122 °F) with IEEE 802.3at Class 4 PoE Plus power			
	Storage Temperature	-10 °C to +70 °C (14 °F to 158 °F)						
	Humidity	0 - 95% non-condensing						
<b>CERTIFICATIONS</b>	Certifications/Directives	UL	cUL	CE	ROHS	WEEE	RCM	EAC
	Safety	UL 60950-1		CSA 60950-1		IEC/EN 60950-1		
	Environmental	Plenum Rated (UL 2043)				IK10 Impact Rating	IEC 60529 IP66 Rating	UL/CSA/IEC 60950-22
	Electromagnetic Emissions	FCC Part 15 Subpart B Class B		IC ICES-003 Class B		EN 55022 Class B	EN 61000-6-3	EN 61000-3-2 EN 61000-3-3
	Electromagnetic Immunity	EN 55024				EN 61000-6-1		

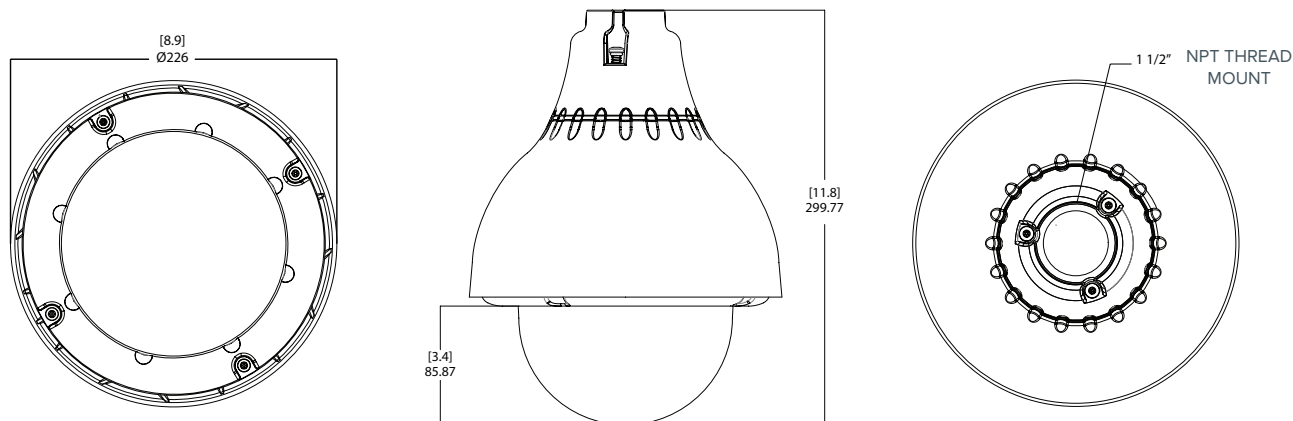
# Outline Dimensions

## In-Ceiling PTZ Dome Camera



[X.X]	INCHES
X	MM

## Pendant PTZ Dome Camera



# Ordering Information

### IN-CEILING PTZ DOME CAMERAS

1.0W-H3PTZ-DC20	1.0 Megapixel Day/Night H.264 20x HD PTZ In-Ceiling Dome Camera
2.0W-H3PTZ-DC20	2.0 Megapixel Day/Night H.264 20x HD PTZ In-Ceiling Dome Camera
H3PTZ-DC-CLEAR-B	PTZ In-Ceiling Dome Camera Cover with Clear Bubble
H3PTZ-DC-SMOKE-B	PTZ In-Ceiling Dome Camera Cover with Smoked Bubble
H3PTZ-DC-PNL	Metal Ceiling Panel

### PENDANT PTZ DOME CAMERAS

1.0W-H3PTZ-DP20	1.0 Megapixel Day/Night H.264 20x HD PTZ Pendant Dome Camera
2.0W-H3PTZ-DP20	2.0 Megapixel Day/Night H.264 20x HD PTZ Pendant Dome Camera
MNT-PEND-WALL	Indoor/Outdoor Pendant Mount Bracket
MNT-AD-POLE-B	Pole Mounting Bracket
MNT-AD-CORNER	Corner Mounting Bracket
H3PTZ-DP-CLEAR-IK	Dome Camera Cover with Clear Bubble (IK10)
H3PTZ-DP-SMOKE-IK	Dome Camera Cover with Smoked Bubble (IK10)