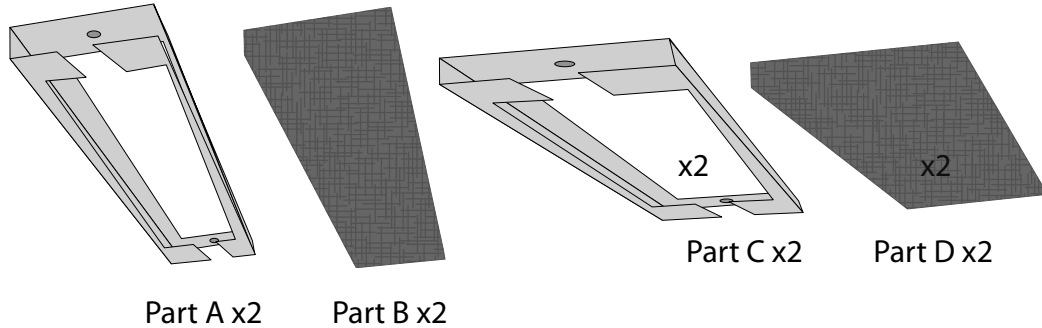


NetShelter™ CX Accessories Installation Instructions

AR4702

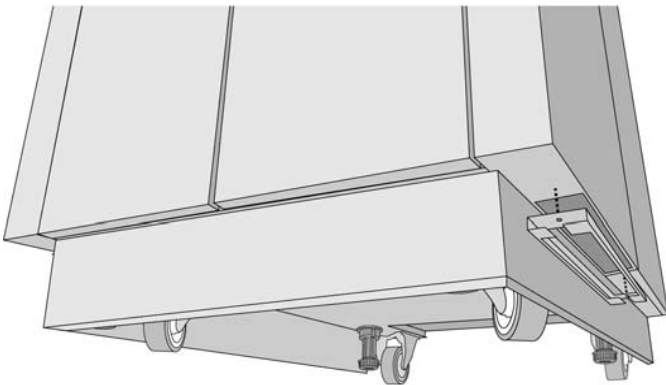
Inventory

⚙️ x8

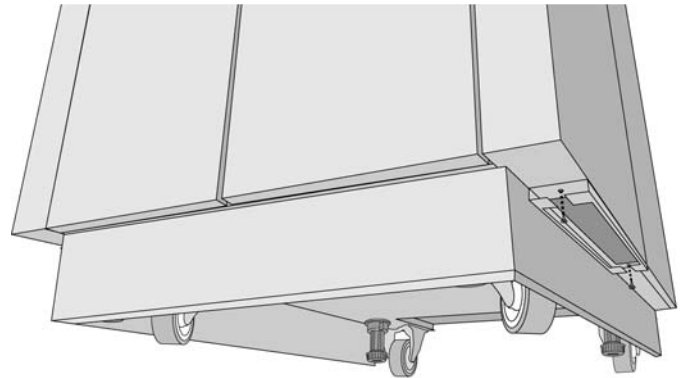


Installation

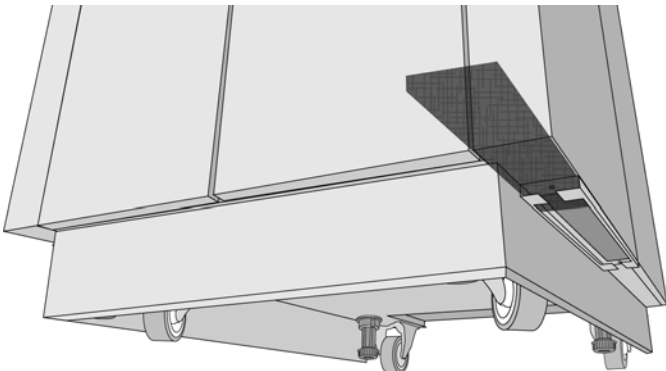
For use with Netshelter CX 38U
Models AR4038 & AR4038i



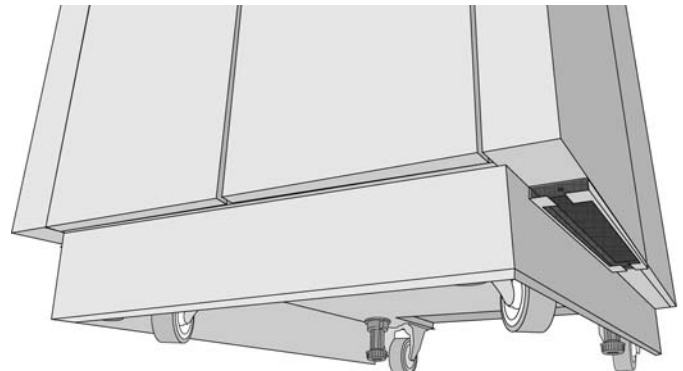
Align the opening in the metal frame (Part A) with the air intake apertures on the undersides of the sidepods.



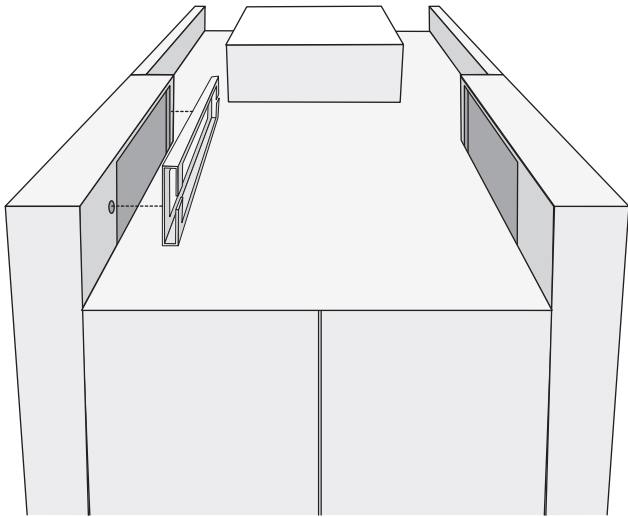
Fix Part A into place using the screws provided.



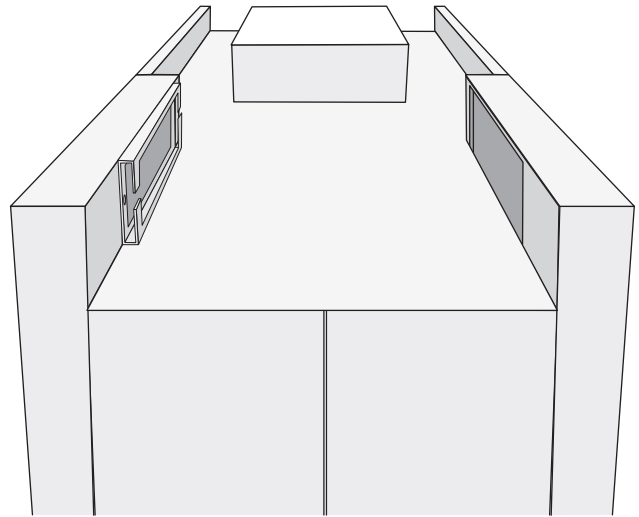
Slot the Dustfilter Foam (Part B) into the front of the frame.



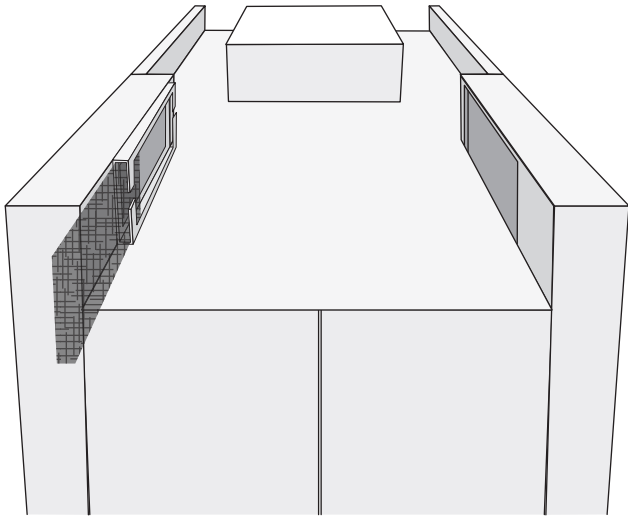
Slide the foam all the way into place, ensuring all of the aperture is covered.



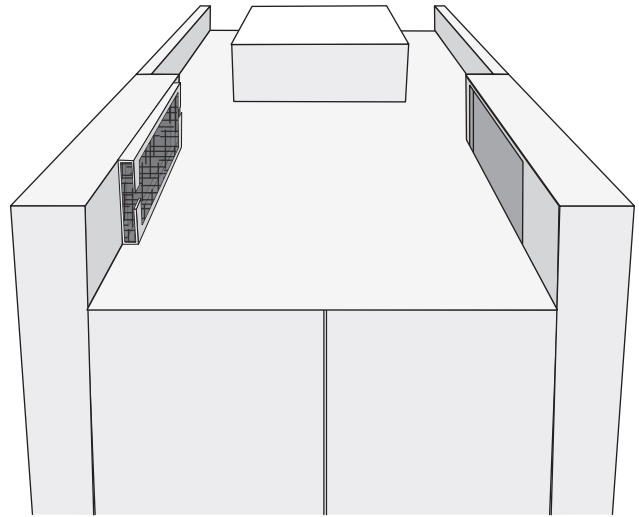
Align the opening in Part C with the air intake apertures on the roof of the Cabinet



Fix Part C to the air intake using the screws provided



Slot the Dustfilter Foam (Part D) in to the front of Part C



Slide Part D all the way into place, ensuring the aperture is fully covered

Important

Remember to regularly clean your dustfilters to prevent build-up of dust. Remove the dustfilter foam from the frame and wash it with warm water under a running tap

Customer support and warranty information is available at the APC Web site, www.apc.com.

© 2011 American Power Conversion. All rights reserved. All APC trademarks are property of American Power Conversion. Other trademarks are property of their respective owners.

990-5556

11/2011