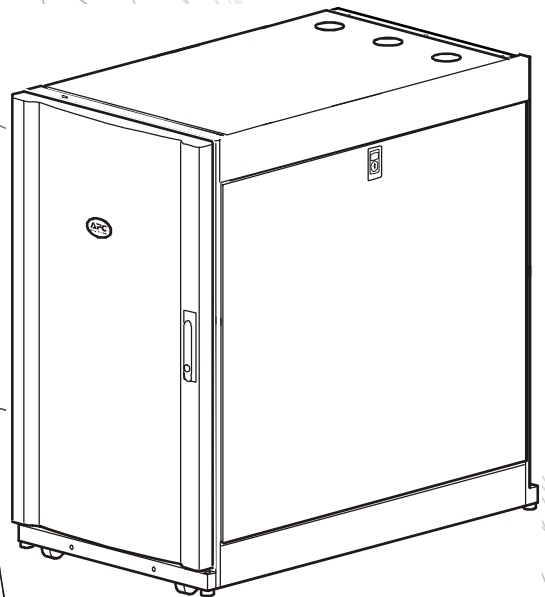


Unpacking, Installation, and Customization

NetShelter[®] SX 24 U Enclosure





This manual is available in English on the enclosed CD.

Dieses Handbuch ist in Deutsch auf der beiliegenden CD-ROM verfügbar.

Este manual está disponible en español en el CD-ROM adjunto.

Ce manuel est disponible en français sur le CD-ROM ci-inclus.

Questo manuale è disponibile in italiano nel CD-ROM allegato.

本マニュアルの日本語版は同梱の CD-ROM からご覧になれます。

Instrukcja Obsługi w języku polskim jest dostępna na CD.

O manual em Português está disponível no CD-ROM em anexo.

Данное руководство на русском языке имеется на прилагаемом компакт-диске.

Bu kullanım kılavuzunun Türkçe'sä, äläxäkte gönderälen CD açeräsände mevcuttur.

您可以从包含的 CD 上获得本手册的中文版本。

Contents

- Product Overview..... 1**
 - Description 1
 - NetShelter SX 24 U Enclosures 1
- Product Inventory 2**
 - Components of the enclosure 2
- Before Installation..... 3**
 - Tools..... 3**
 - Tools (provided) 3
 - Other tools required (not provided) 3
 - Hardware 3**
 - Hardware (provided) 3
 - Unpacking 4**
 - Unpack the enclosure 4
 - Please recycle 5
 - Disclaimer 5
 - Verify the inventory 5
 - Move the enclosure 6
 - Configuration..... 7**
- Installation 8**
 - Install the Enclosure 8**
 - Level the enclosure 8
 - Remove the casters and leveling feet (optional) 9
 - Rack stabilization options 9
 - Remove or Install the Side Panels..... 10**
 - Remove the side panels 10
 - Install the side panels 10
 - Remove or Install the Roof..... 11**
 - Remove the roof 11
 - Install the roof 11

Remove or Install the Doors	12
Remove the doors	12
Install the doors	12
Reverse the front door	13
Vertical Mounting Flanges	16
Adjust the vertical mounting flanges on the side braces	16
Install Equipment	18
Identify one U-space on the vertical mounting flange	18
Install cage nuts	18
Remove cage nuts	18
Ground the enclosure	19
Cable Management	20
Rear cable channel	20
Rear door cable containment bracket	20
Vertical cable organizers	21
Cable management options for the NetShelter SX 24 U enclosure	22
Cable accessories for NetShelter SX 24 U Enclosure	23

Specifications **24**

600-mm, 24 U Enclosure	24
AR3104	24
Five-Year Factory Warranty	25
Terms of warranty	25
Non-transferable warranty	25
Exclusions	25
Warranty claims	26

Product Overview

Description

The American Power Conversion (APC®) NetShelter® SX 600-mm wide 24 U enclosure is a high-quality enclosure for storage of industry-standard (EIA-310), 19-in rack-mount hardware, which includes servers and voice, data, networking, internetworking, and APC power protection equipment.

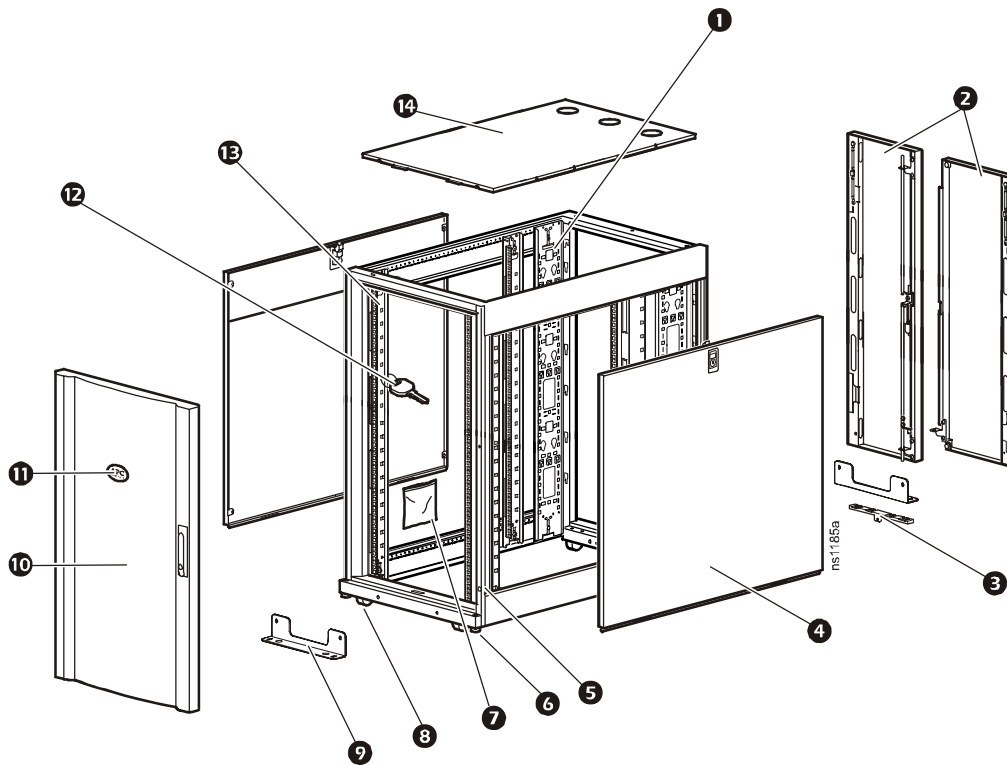
NetShelter SX 24 U Enclosures

Model	Rack Mounting Height	Rack Mounting Width	External Enclosure Width	Enclosure Depth
AR3104	24 U [†]	482 mm (19 in)	600 mm (23.62 in)	1070 mm (42.13 in)

[†]One U= 44.45 mm (1.75 in). See “Identify one U-space on the vertical mounting flange” on page 18.

Product Inventory

Components of the enclosure



- | | |
|--|-----------------------------|
| ❶ Rear cable channel | ❸ Casters |
| ❷ Split doors (with cable access under left-hand door) | ❹ Bolt-down bracket |
| ❸ Rear door cable containment bracket | ❺ Reversible curved door |
| ❹ Side panels with locks | ❻ APC nameplate |
| ❺ Frame posts | ❼ Key |
| ❻ Adjustable leveling feet | ❽ Vertical mounting flanges |
| ❼ Hardware bag | ❾ Roof |

Before Installation

Tools

Tools (provided)

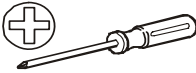


Torx® T30/#2 Phillips wrench (1)

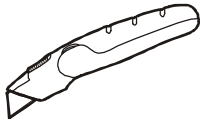


Cage nut tool (1)

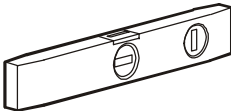
Other tools required (not provided)



Phillips screwdriver (1)



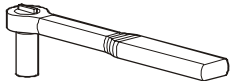
Utility knife (1)



Level (1)



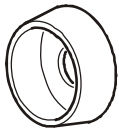
13-mm open-ended wrench (1)



10-mm socket wrench (1)

Hardware

Hardware (provided)



Plastic cup washers (60)



M6 x 16 Phillips slot screws (60)



M5 x 12 screws (4)



Cage nuts (60)



7-mm hole plugs (4)

Unpacking

Unpack the enclosure



Heavy: Use at least two people to unpack the enclosure.



Warning: To prevent the enclosure from tipping over after installation:

- Stabilize the enclosure before installing the components. See “Rack stabilization options” on page 9.
 - Do not extend components on sliding rails out from the enclosure until you have installed three or more pieces of similar equipment, or the stabilizer plate or bolt-down brackets are installed. See “Rack stabilization options” on page 9.
 - Do not extend more than one component from the enclosure at a time.
 - Load the heaviest components first, and place them toward the bottom of the enclosure to prevent the enclosure from becoming top-heavy.
 - Use caution when moving an empty enclosure on its casters; the enclosure may be unstable when pushed or pulled from the side. Push the enclosure from the front or back when moving it on its casters. For extra stability, load 27 kg (60 lbs) of equipment into the bottom of the enclosure before moving it on its casters.
1. Move the shipping pallet to a firm, level surface in an open area. Inspect the enclosure for visible signs of shipping damage. If you detect shipping damage, contact APC Customer Support at the number listed on the yellow label on the front of the enclosure or on the back cover of this manual.
 2. See the label on the packaging to determine where to cut the wrapping. Using sturdy shears or a utility knife, carefully remove the plastic stretch wrap surrounding the enclosure.



Note: Save the bag containing the warranty card and installation manual.

3. Remove the four cardboard corner protectors.
4. Remove the two pallet-mounting brackets that anchor the enclosure to the shipping pallet, using a 13-mm wrench (not provided).



Note: Save the pallet-mounting brackets if you plan to bolt the enclosure to the floor. See “Rack stabilization options” on page 9.

5. With one person on each side of the enclosure, carefully roll it toward the rear of the pallet until the rear casters clear the back edge of the pallet. Continue to slide the enclosure rearward until the rear casters touch the floor.
6. While one person carefully tips the enclosure slightly away from the pallet, have the other person pull the pallet away from the enclosure. Set it gently on its casters.



Note: Save the pallet if you plan to reship the enclosure.

7. If you are not using a rack stabilization option use the 7-mm hole plugs (provided) to cover the holes that were used to attach the pallet-mounting bracket to the frame.

Please recycle



The shipping materials are recyclable. Save them for later use, or dispose of them appropriately.

Disclaimer

APC is not responsible for damage sustained during reshipment of this product.

Verify the inventory

After unpacking the enclosure, verify that all required components and hardware have been shipped with the enclosure. See “Product Inventory” on page 2 for a list of components.

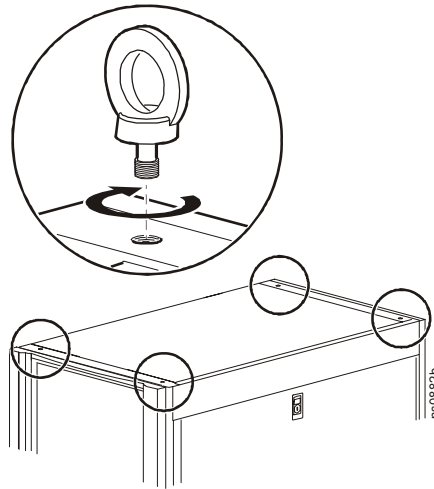


Note: If any items are missing, contact APC Customer Support at a number on the back cover of this manual, or at the APC Web site, www.apc.com.

Move the enclosure

Casters. The enclosure can be moved on its casters with up to 1020 kg (2,250 lbs) of equipment installed. Push the enclosure from the front or the back, not the sides; it may be unstable when pushed from the side. For greater stability, load 27 kg (60 lbs) or more of equipment into the enclosure before moving it on its casters.

Eye bolts. If lifting of the enclosure is necessary, this can be done by removing the hole plugs and attaching eye bolts (not included) to the top of the enclosure frame. Use appropriately rated M10 eye bolts with a shoulder for angular lifting. The maximum weight of installed equipment should be 142 kg (312 lbs) per eye bolt (567 kg [1,250 lbs] total).



Configuration

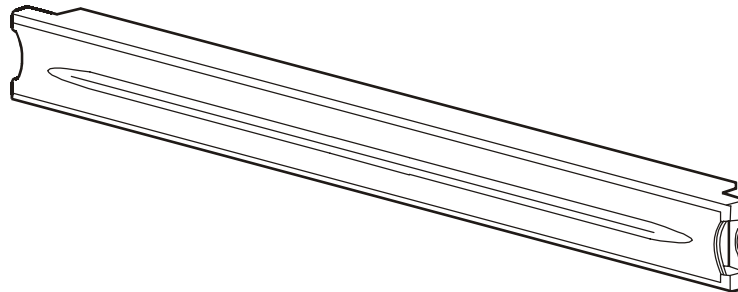
Before installing the enclosure, plan the location and space needed to install equipment, and plan the ergonomics of keyboards and video monitors.

The Rack Configurator, available on the APC Web site, www.apc.com, helps you plan your configuration to maximize the available U-space of your enclosures.



Caution: Improper airflow could damage installed components.

To maintain proper airflow, cover any empty vertical enclosure space with blanking panels (not included). APC offers modular, plastic Airflow Management Blanking Panels (AR8136BLK) that snap into place without tools.



Installation

Install the Enclosure



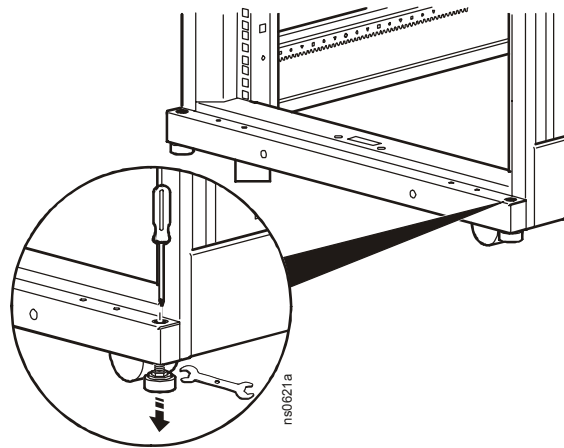
Warning: For extra stability, load 27 kg (60 lbs) of equipment into the bottom of the enclosure before moving it on its casters.

Level the enclosure

Level the enclosure before installing equipment.

The leveling feet at the corners provide a stable base if the floor is uneven, but they cannot compensate for a badly sloped surface. The casters and leveling feet can be removed to allow the base of the enclosure to rest directly on the floor.

1. Move the enclosure to a level location.
2. For each leveling foot, insert a Phillips or slotted screwdriver into the screw above the leveling foot. Turn the screw clockwise to extend the leveling foot until it makes firm contact with the floor.



Note: If the enclosure needs to be leveled after equipment has been installed, use a 13-mm open-ended wrench (not provided) to lower the leveling feet. For each leveling foot, fit the wrench to the hex head just above the round pad on the bottom of the foot. Turn the wrench clockwise to extend the leveling foot until it makes firm contact with the floor.

Remove the casters and leveling feet (optional)



Warning: Remove all equipment from the enclosure before removing casters and leveling feet. To avoid personal injury or damage to the enclosure, two people should support the enclosure.

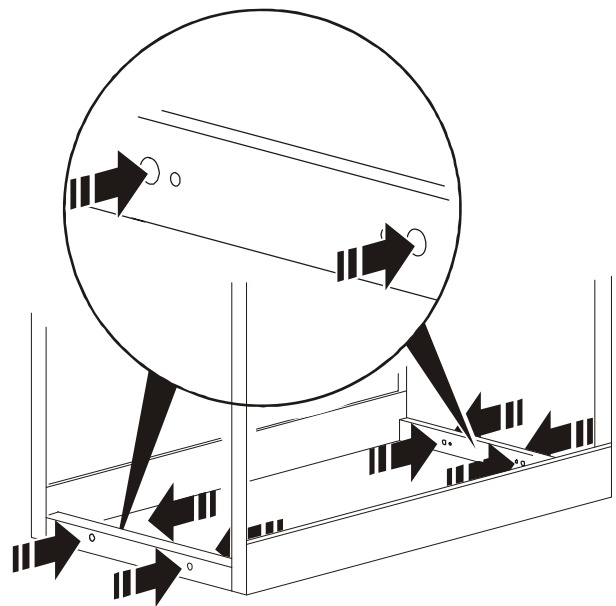
1. Lay the enclosure on its side.
2. Using a 10-mm socket wrench (not provided), remove the four hex nuts from each of the casters and remove the casters.
3. For each leveling foot, use a Phillips screwdriver to turn the foot clockwise until it is released from the frame.

Rack stabilization options



Warning: The enclosure cannot be stabilized using the bolt-down bracket or stabilization plate if the casters or leveling feet are removed.

Brackets can be used to bolt the enclosure to the floor internally or externally for additional stabilization. With the appropriate anchoring hardware (not provided), this system meets UBC Zone 4 requirements. See the APC Web site, www.apc.com, for complete UBC compliance requirements and bracket installation instructions. All brackets can be fastened to the enclosure through the holes shown in the following illustration.

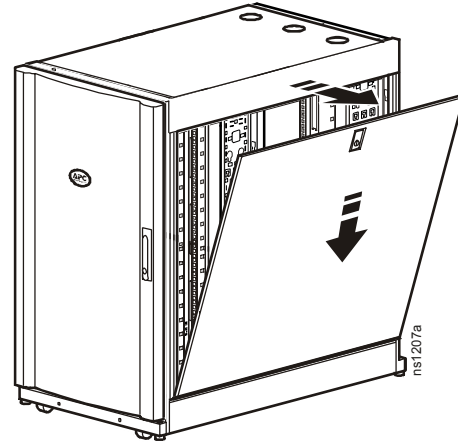


Remove or Install the Side Panels

Remove the side panels to access the interior. Side panels offer additional security and assist with proper airflow within the enclosure.

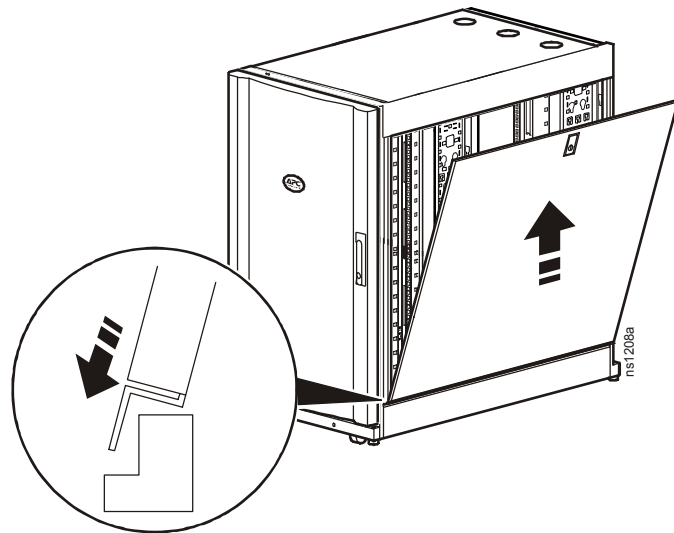
Remove the side panels

1. Use the key to unlock the panel, if necessary.
2. Slide the panel latch down and pull the top of the panel away from the enclosure.
3. Release the latch and lift the panel up and off the side brace lip at the bottom of the panel frame.



Install the side panels

1. Engage the bottom of the panel securely with the side brace lip before pushing the top of the panel forward into place.
2. Slide the panel latch up.



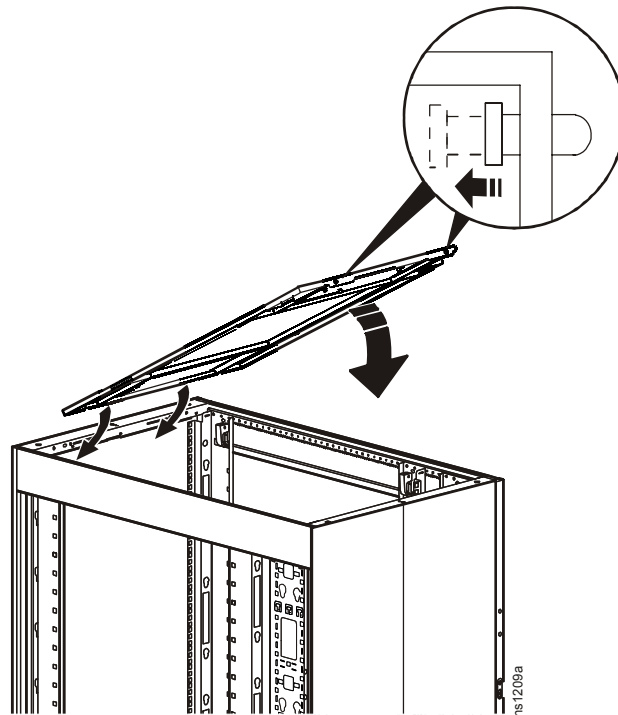
Remove or Install the Roof

Remove the roof

1. Pull and hold the two spring pins in the rear of the enclosure.
2. Push the roof up from the enclosure.
3. Lift the roof off the enclosure.

Install the roof

1. Slide the tabs on the front of the roof into the slots in the front of the enclosure.
2. Lower the roof into the enclosure, while pulling the two spring pins in the rear of the roof.
3. Release the pins to secure the roof to the enclosure.



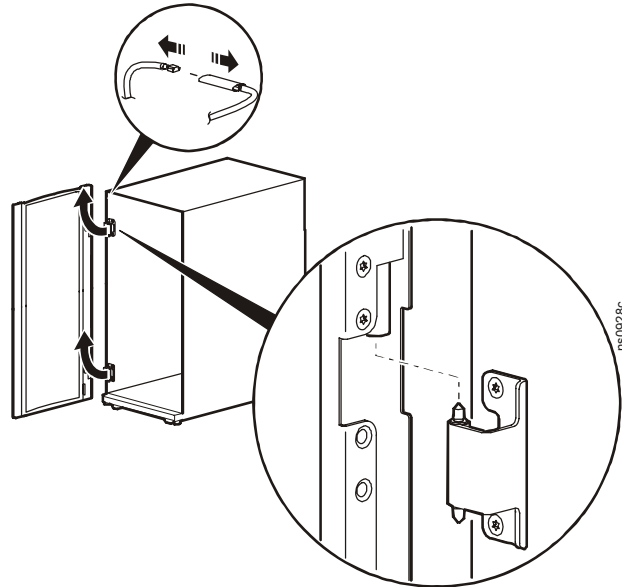
Warning: To avoid damage or injury, do not use the roof as a walkway.

Remove or Install the Doors

Remove the doors

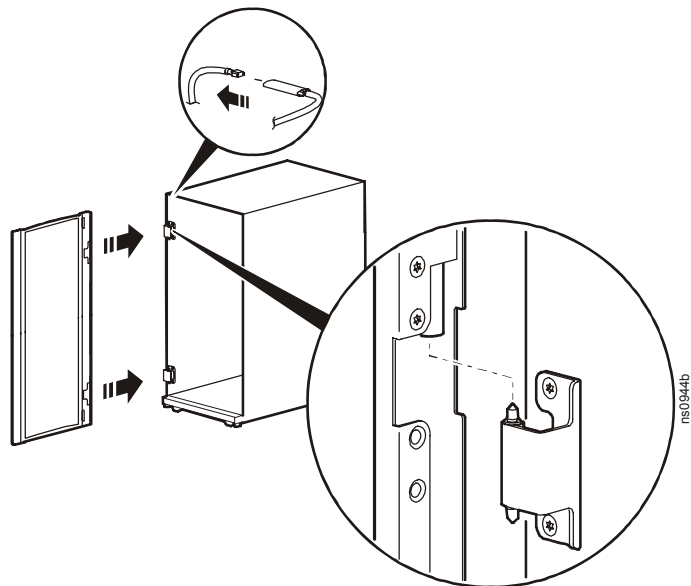
You can remove the front and rear doors of the enclosure to gain better access to equipment.

1. Disconnect the grounding wires.
2. Open the door to approximately 90 degrees and lift it up and off the hinges.



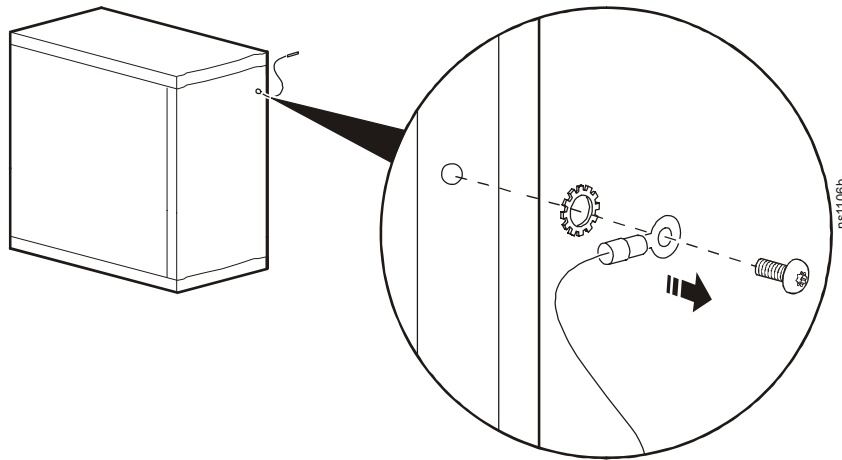
Install the doors

1. Hold the door approximately 90 degrees to the frame of the enclosure. Align the door hinges with the hinge pins on the frame.
2. Lower the door onto the hinge pins, making sure the pins engage with the hinge barrels on the door.
3. Reconnect the grounding wire.
4. Make sure that the door opens and closes properly.

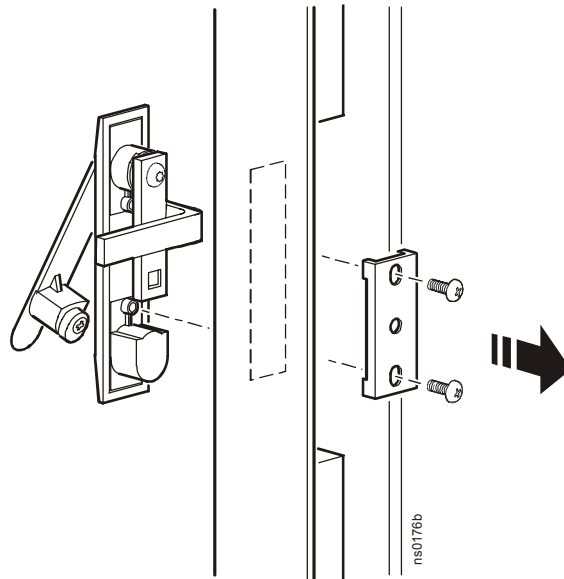


Reverse the front door

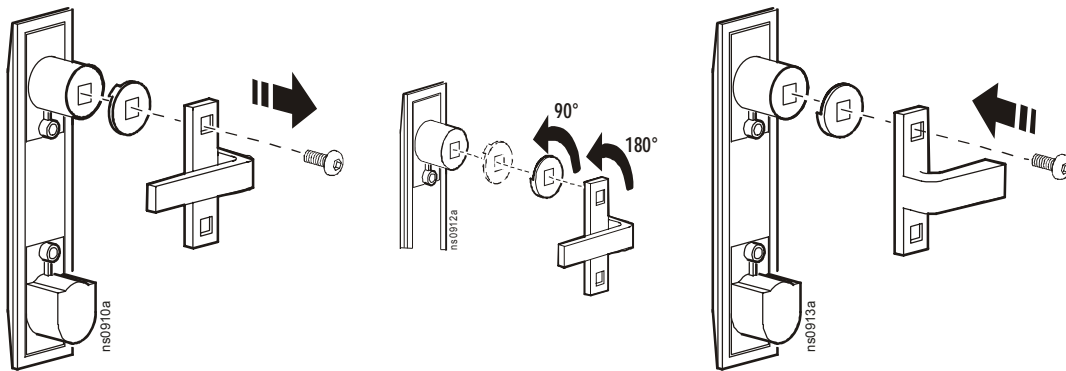
1. Remove the APC nameplate from the front door.
2. Remove the M6 × 12 pan-head screws and star washers that secure the grounding wire to the frame and door, using the Torx T30/ #2 Phillips wrench (provided).



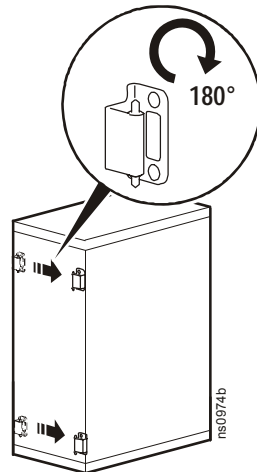
3. Remove the two Phillips screws from the rear of the door handle assembly, and remove the handle assembly from the door.



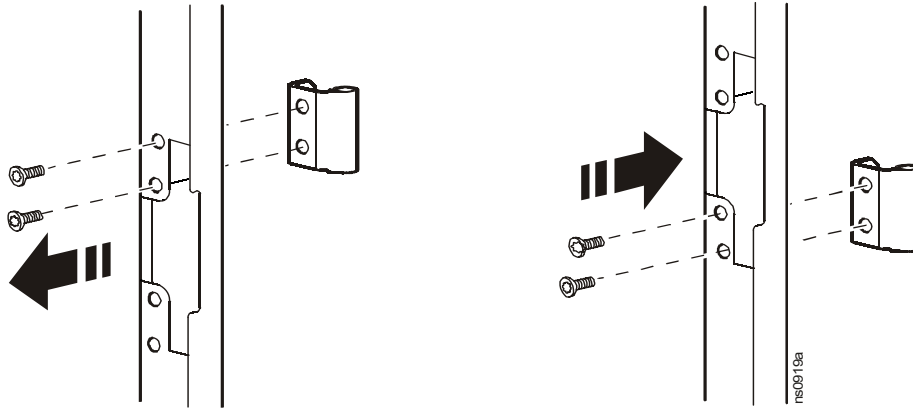
4. Remove the screw, latch, and washer from the back of the door handle assembly using the Torx T30/#2 Phillips wrench (provided). Rotate the washer 90 degrees and the latch 180 degrees and reattach the latch.



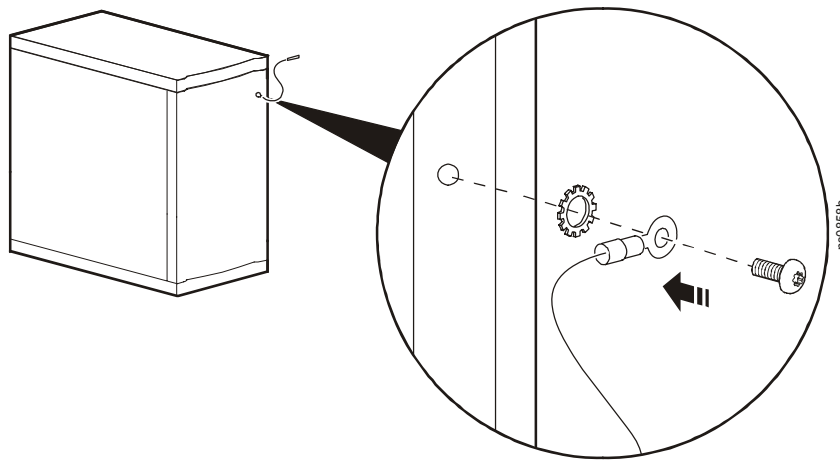
5. Remove the door. See “Remove the doors” on page 12.
6. Remove the hinges from the frame using the Torx T30/#2 Phillips wrench (provided). Rotate the hinges 180 degrees, and reinstall them on the other side of the frame of the enclosure.



7. Remove the hinges from the door and reinstall them using the set of holes directly below where they were originally installed.



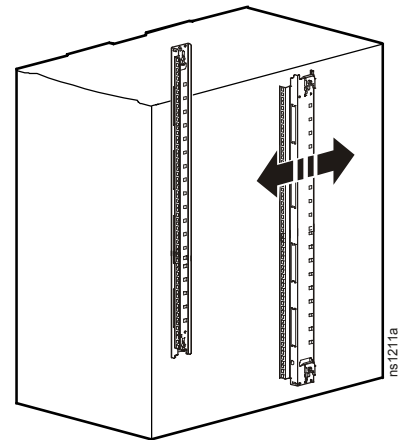
8. Rotate the door 180 degrees and reinstall the door. See “Install the doors” on page 12.
9. Reinstall the grounding wire at the top of the door, near the hinges, and reinstall it to the enclosure frame using the M6 x 12 pan-head screw and star washer.



10. Rotate the door handle assembly 180 degrees and reinstall it using the screws removed in step 2.
11. Reinstall the APC nameplate on the front door of the enclosure.

Vertical Mounting Flanges

Vertical mounting flanges are factory-installed on the enclosure in the proper position for use with rack-mountable equipment that has a depth of 737 mm (29 in). The mounting flanges are adjustable towards the front or the rear of the enclosure to accommodate different rails or equipment with other depths. The flanges on a 600-mm enclosure can be adjusted to be as close as 191 mm (7.50 in) or as far as 935 mm (36.80 in) apart.

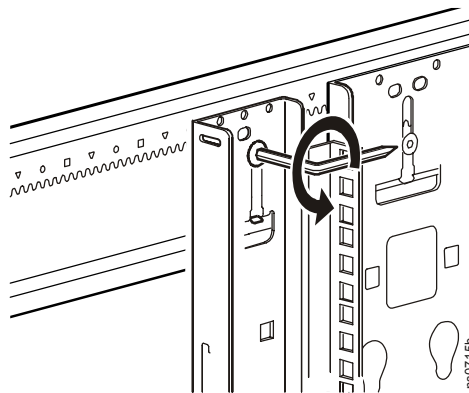


Adjust the vertical mounting flanges on the side braces

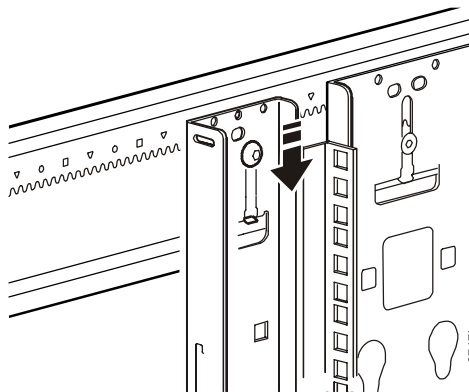


Warning: To avoid personal injury or damage to the enclosure, perform this procedure without any equipment installed on the mounting flanges.

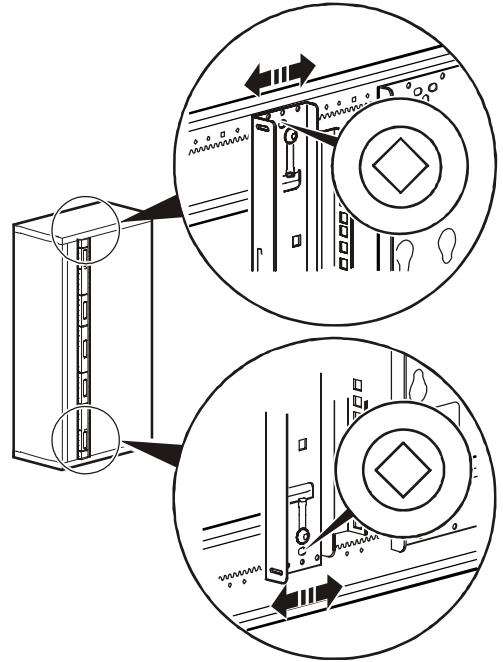
1. Use the Torx T30/#2 Phillips wrench (provided) to loosen—but not remove—the Torx screws in the slots of each mounting flange.



2. Lower the flat bracket and move the mounting flange to the desired location.



- To align the vertical mounting flanges properly, note the symbol (for example, the diamond) visible through the one of the holes on the top of the flange, and ensure that the same symbol is visible through the corresponding hole at the bottom of the flange. Only one symbol is visible at a time through any of the holes. In the factory-standard position, the circles are visible through two of the holes.

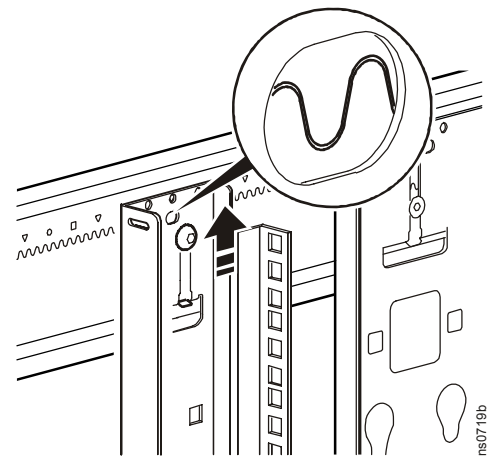


Note: Vertical mounting flanges adjust in 6-mm (1/4-in) increments.



Note: Vertical mounting flanges placed across from each other must have the same visible symbol.

- When the vertical mounting flange is in the proper location, slide each screw up until the teeth in the bracket engage fully with the teeth in the side brace, and tighten the screws.

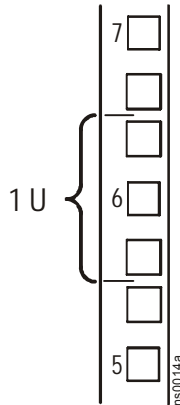


Install Equipment

This section provides information on how to install rack-mount equipment in the NetShelter SX enclosure. The instructions provided with the equipment provide more detailed information.

Identify one U-space on the vertical mounting flange

When installing equipment, locate the top and bottom of a U-space on the mounting flanges. Every third hole on the mounting flanges of a NetShelter enclosure is numbered to indicate the middle of a U-space. A U-space consists of one of these numbered holes and one hole directly above and below it, as shown.



Install cage nuts

APC offers a cage nut hardware kit (AR8100) for use with square holes.



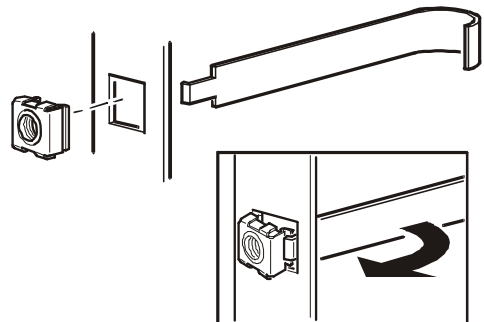
Warning: Install cage nuts horizontally, with the ears engaging the sides of the square hole. Do NOT install cage nuts vertically with the ears engaging the top and bottom of the square hole.

1. Insert the cage nut into the square hole by hooking one ear of the cage nut assembly through the far side of the hole.



Note: Install the cage nuts on the interior of the vertical mounting flange.

2. Place the cage nut tool (provided) on the other side of the cage nut and pull to snap it into position.



Remove cage nuts

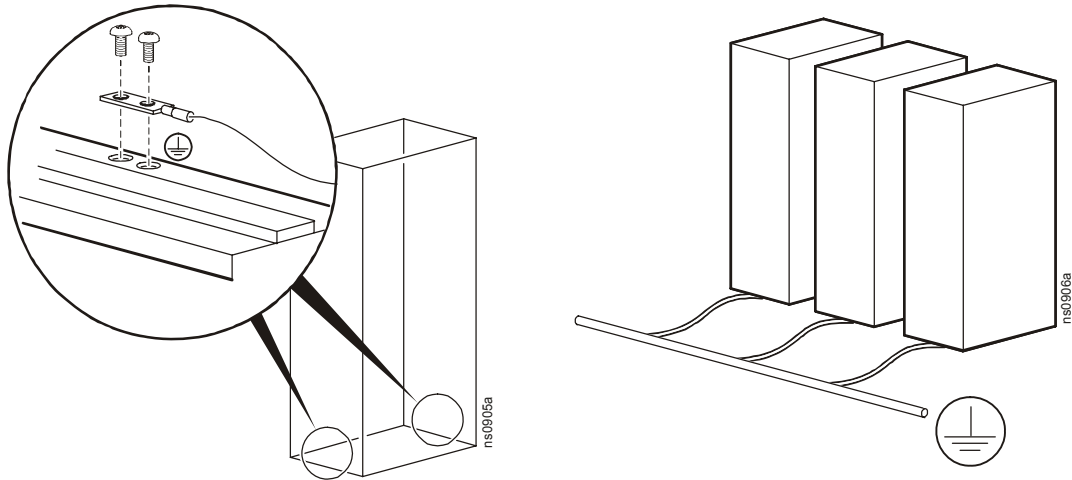
1. Remove any attached screw.
2. Grasp the cage nut and squeeze the sides to release it from the square hole.

Ground the enclosure

The doors, side panels, and roof of the enclosure are grounded to the enclosure frame. The doors are grounded with quick-disconnect cables. The roof and side panels are inherently grounded through spring fingers.

Each enclosure should be grounded directly to the building ground using one of the grounding nuts at the base of the enclosure.

Ground each enclosure directly to the building ground. Do not ground one enclosure to another enclosure in a cascading style.

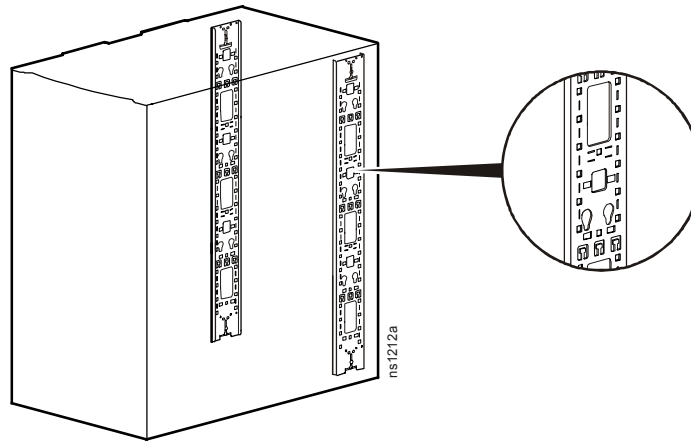


Cable Management

The NetShelter SX enclosure has multiple cable access openings in the enclosure, including the roof, sides, and bottom. Two vertical cable organizers are included with the enclosure, and APC offers a variety of other cable management accessories.

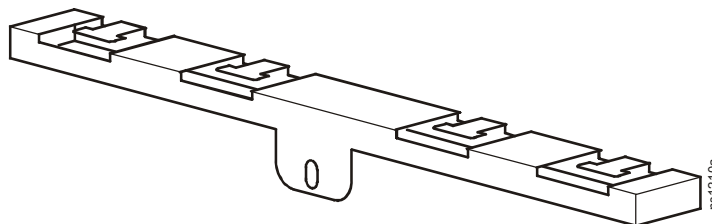
Rear cable channel

The rear cable channel is installed within the rear of the enclosure. The rear cable channel contains holes for managing cables with many different NetShelter brackets, fasteners, and toolless mounting equipment.



Rear door cable containment bracket

The rear door cable containment bracket is installed within the enclosure under the left hand door. The bracket has 4 lobes for attaching cables with hook-and-loop fasteners (provided) and cable ties (not provided).



Vertical cable organizers

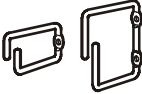
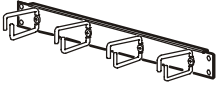
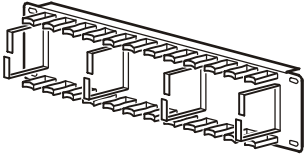
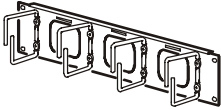
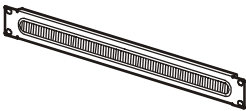
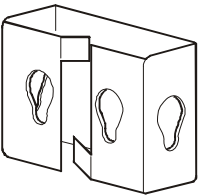

The vertical cable organizers attach to the enclosure anywhere along the side braces, provide toolless mounting capabilities for APC Rack Power Distribution Units (PDUs), APC cable containment brackets, and provide tie-off locations for cables. The standard position for the vertical cable organizers is in the rear of the enclosure, but they can be mounted anywhere along the side braces in a similar manner as the mounting flanges.

Remove or relocate vertical cable organizers.

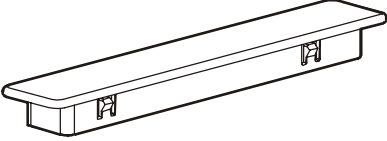
Vertical cable organizers can be relocated within the enclosure or removed completely.

1. Loosen the screws that attach the vertical cable organizer to the enclosure.
2. Move the vertical cable organizer to the new location or lift it up and pull it toward the inside of the enclosure.
3. Align the vertical cable organizers properly. The vertical cable organizers align in the same way as the vertical mounting flanges. See “Adjust the vertical mounting flanges on the side braces” on page 16.

Cable management options for the NetShelter SX 24 U enclosure

Product	SKU	Description	Figure
Cable management rings	AR8113A	Fasten cables to posts, mounting rails, or braces	
19-in horizontal cable organizer	AR8425A (1U) AR8426A (2U)	Routes cables horizontally on the front or back of the 19-inch EIA rack.	
19-in 2-U patch cord organizer	AR8427A	Routes cables horizontally on the front or back of the 19-inch EIA rack.	
19-in 2-U horizontal cable organizer pass-through	AR8428	Routes cables horizontally or front-to-rear.	
19-in 1-U cable pass-through with brush strip	AR8429	Assists with containing air in the enclosure.	
Cable containment brackets	AR7710	Contains cables along the vertical cable organizer and is installed without tools. Also provides toolless mounting holes for 0-U Rack PDUs.	
Vertical Cable Organizer for NetShelter 0-U Channel	AR8442	Eliminates cable stress by organizing cable layout within the rear channels of the enclosure. Takes up zero U of space within the enclosure. Consists of two pieces of equal size. One piece spans the entire height of the enclosure. Can be used in any APC enclosure.	

Cable accessories for NetShelter SX 24 U Enclosure

Product	SKU	Description	Figure
NetShelter SX air recirculation prevention kit	AR7708	Maintains proper airflow if the front vertical mounting flanges are moved to the rear of the enclosure.	

Specifications

600-mm, 24 U Enclosure

AR3104

Item	Measurements
Height	1199 mm (47.20 in)
Width	600 mm (23.62 in)
Depth	1070 mm (42.13 in)
Net weight	88.90 kg (196.00 lb)
Total open area (front door)	345 808 mm ² (536.00 in ²)
Total open area (rear door)	375 870 mm ² (582.60 in ²)
Open area per U (front door)	14 406 mm ² (22.33 in ²)
Open area per U (rear door)	15 658 mm ² (24.27 in ²)
Percent open (front)	67%
Percent open (rear)	73%
Clearance (for wiring between front door and vertical rail)	60.96 mm (2.40 in)
Weight rating: static load [†]	1361 kg (3,000 lb)
Weight rating: rolling	1021 kg (2,250 lb)
Weight rating: shipping [‡]	567 kg (1,250 lb)

[†] Lower the leveling feet if the static weight is over 1020.58 kg (2,250 lb).

[‡] Additional packaging may be required if the rack is being reshipped with equipment installed. See the APC Web site, www.apc.com, for details.

Five-Year Factory Warranty

The limited warranty provided by American Power Conversion (APC®) in this Statement of Limited Factory Warranty applies only to products you purchase for your commercial or industrial use in the ordinary course of your business.

Terms of warranty

APC warrants its products to be free from defects in materials and workmanship for a period of five years (two years in Japan) from the date of purchase. The obligation of APC under this warranty is limited to repairing or replacing, at its sole discretion, any such defective products. This warranty does not apply to equipment that has been damaged by accident, negligence, or misapplication or has been altered or modified in any way. Repair or replacement of a defective product or part thereof does not extend the original warranty period. Any parts furnished under this warranty may be new or factory-remanufactured.

Non-transferable warranty

This warranty extends only to the original purchaser who must have properly registered the product. The product may be registered at the APC Web site, www.apc.com.

Exclusions

APC shall not be liable under the warranty if its testing and examination disclose that the alleged defect in the product does not exist or was caused by end user's or any third person's misuse, negligence, improper installation or testing. Further, APC shall not be liable under the warranty for unauthorized attempts to repair or modify wrong or inadequate electrical voltage or connection, inappropriate on-site operation conditions, corrosive atmosphere, repair, installation, start-up by non-APC designated personnel, a change in location or operating use, exposure to the elements, Acts of God, fire, theft, or installation contrary to APC recommendations or specifications or in any event if the APC serial number has been altered, defaced, or removed, or any other cause beyond the range of the intended use.

THERE ARE NO WARRANTIES, EXPRESS OR IMPLIED, BY OPERATION OF LAW OR OTHERWISE, OF PRODUCTS SOLD, SERVICED OR FURNISHED UNDER THIS AGREEMENT OR IN CONNECTION HEREWITH. APC DISCLAIMS ALL IMPLIED WARRANTIES OF MERCHANTABILITY, SATISFACTION AND FITNESS FOR A PARTICULAR PURPOSE. APC EXPRESS WARRANTIES WILL NOT BE ENLARGED, DIMINISHED, OR AFFECTED BY AND NO OBLIGATION OR LIABILITY WILL ARISE OUT OF, APC RENDERING OF TECHNICAL OR OTHER ADVICE OR SERVICE IN CONNECTION WITH THE PRODUCTS. THE FOREGOING WARRANTIES AND REMEDIES ARE EXCLUSIVE AND IN LIEU OF ALL OTHER WARRANTIES AND REMEDIES. THE WARRANTIES SET FORTH ABOVE CONSTITUTE APC'S SOLE LIABILITY AND PURCHASER'S EXCLUSIVE REMEDY FOR ANY BREACH OF SUCH WARRANTIES. APC WARRANTIES EXTEND ONLY TO PURCHASER AND ARE NOT EXTENDED TO ANY THIRD PARTIES.

IN NO EVENT SHALL APC, ITS OFFICERS, DIRECTORS, AFFILIATES OR EMPLOYEES BE LIABLE FOR ANY FORM OF INDIRECT, SPECIAL, CONSEQUENTIAL OR PUNITIVE DAMAGES, ARISING OUT OF THE USE, SERVICE OR INSTALLATION, OF THE PRODUCTS, WHETHER SUCH DAMAGES ARISE IN CONTRACT OR TORT, IRRESPECTIVE OF FAULT, NEGLIGENCE OR STRICT LIABILITY OR WHETHER APC HAS BEEN ADVISED IN ADVANCE OF THE POSSIBLY OF SUCH DAMAGES. SPECIFICALLY, APC IS NOT LIABLE FOR ANY COSTS, SUCH AS LOST PROFITS OR REVENUE, LOSS OF EQUIPMENT, LOSS OF USE OF EQUIPMENT, LOSS OF SOFTWARE, LOSS OF DATA, COSTS OF SUBSTITUENTS, CLAIMS BY THIRD PARTIES, OR OTHERWISE.

NO SALESMAN, EMPLOYEE OR AGENT OF APC IS AUTHORIZED TO ADD TO OR VARY THE TERMS OF THIS WARRANTY. WARRANTY TERMS MAY BE MODIFIED, IF AT ALL, ONLY IN WRITING SIGNED BY AN APC OFFICER AND LEGAL DEPARTMENT.

Warranty claims

Customers with warranty claims issues may access the APC customer support network through the Support page of the APC Web site, www.apc.com/support. Select your country from the country selection pull-down menu at the top of the Web page. Select the Support tab to obtain contact information for customer support in your region.

APC Worldwide Customer Support

Customer support for this or any other APC product is available at no charge in any of the following ways:

- Visit the APC Web site to access documents in the APC Knowledge Base and to submit customer support requests.
 - **www.apc.com** (Corporate Headquarters)
Connect to localized APC Web sites for specific countries, each of which provides customer support information.
 - **www.apc.com/support/**
Global support searching APC Knowledge Base and using e-support.
- Contact an APC Customer Support center by telephone or e-mail.
 - Regional centers

Direct InfraStruXure Customer Support Line	(1)(877)537-0607 (toll free)
APC headquarters U.S., Canada	(1)(800)800-4272 (toll free)
Latin America	(1)(401)789-5735 (USA)
Europe, Middle East, Africa	(353)(91)702000 (Ireland)
Western Europe (inc. Scandinavia)	+800 0272 0272
Japan	(0) 36402-2001
Australia, New Zealand, South Pacific area	(61) (2) 9955 9366 (Australia)

- Local, country-specific centers: go to **www.apc.com/support/contact** for contact information.

Contact the APC representative or other distributor from whom you purchased your APC product for information on how to obtain local customer support.

Entire contents copyright 2008 American Power Conversion Corporation. All rights reserved. Reproduction in whole or in part without permission is prohibited. APC, the APC logo, NetShelter, and InfraStruXure are trademarks of American Power Conversion Corporation. All other trademarks, product names, and corporate names are the property of their respective owners and are used for informational purposes only.



990-3206-001



03/2008