

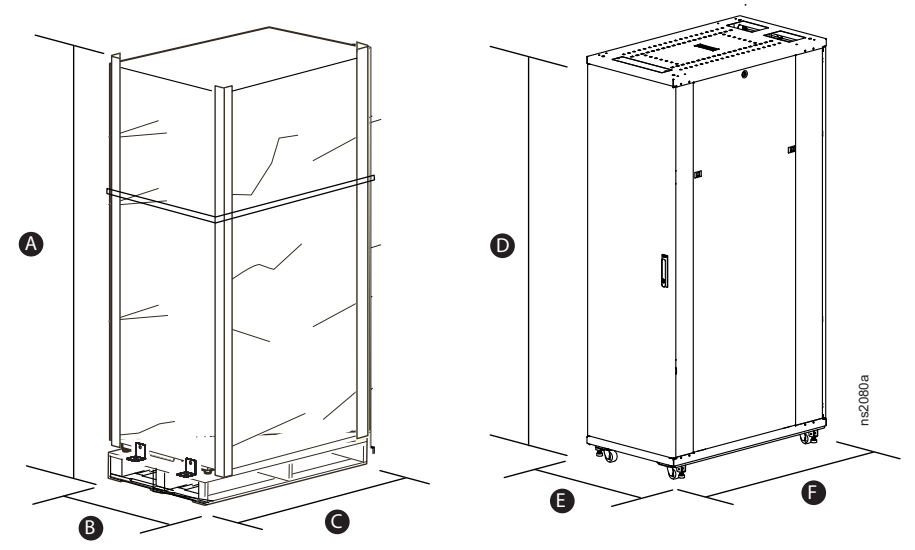
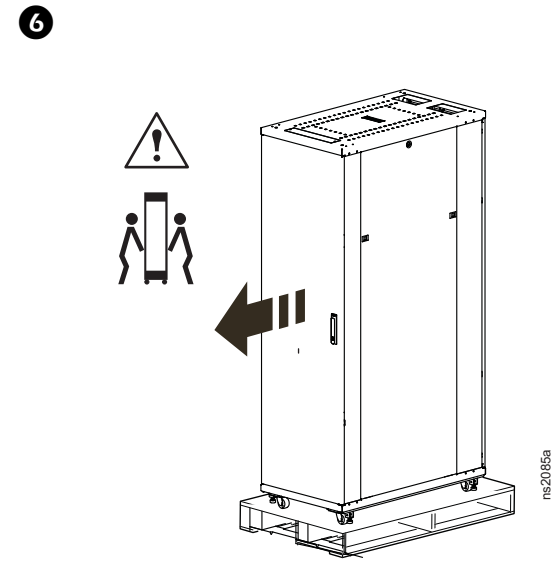
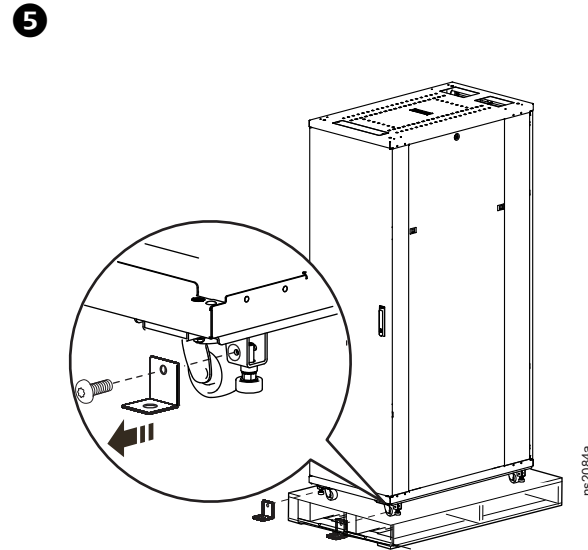
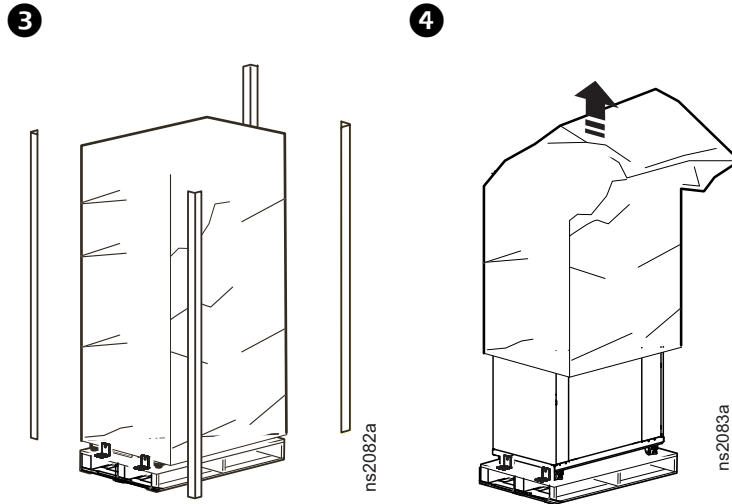
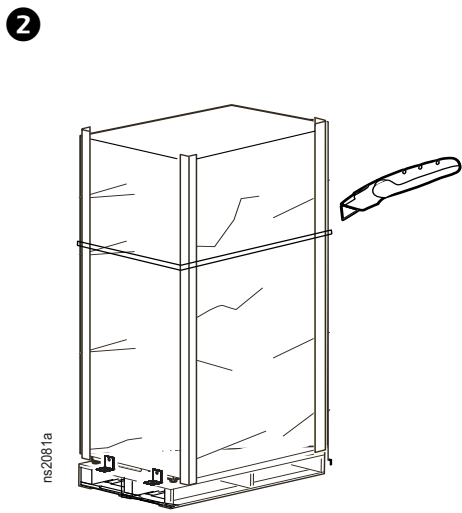
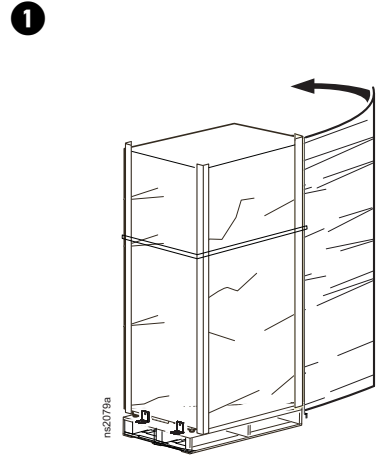


by Schneider Electric

# NetShelter SV Cabinet

## Unpacking and Quick Installation

AR2200, AR2280, AR2400, AR2401, AR2407, AR2480, AR2487, AR2500, AR2507, AR2580, AR2587



A) Shipping Height  
B) Shipping Width  
C) Shipping Depth  
D) Net Height  
E) Net Width  
F) Net Depth

Customer support for this or any other APC product is available at no charge in any of the following ways:

- Visit the APC Web site to access documents in the APC Knowledge Base and to submit customer support requests;
- **www.apc.com** (Corporate Headquarters) provides customer support information.
- **www.apc.com/support/** provides customer support information.
- **www.apc.com/support/** Global support searching APC Knowledge Base and using e-support.
- Contact an APC Customer Support center by telephone or e-mail.
- Local, country-specific centers: go to **www.apc.com/support/contact** for contact information.

Contact the APC representative or other distributors from whom you purchased your APC product for information on how to obtain local customer support.

Customer support and warranty information is available at the APC Website, **www.apc.com**. © 2012 APC by Schneider Electric. All trademarks are owned by Schneider Electric Industries S.A.S., American Power Conversion Corporation, or their affiliated companies.

990-4824

12/2012

