



D26 – Professional Outdoor Dome Camera

- **High-Performance Dome Camera For Indoor And Outdoor Use**
Applicable as day or night system with detailed 6MP color or B/W Sensor
- **Modular System For Maximum Flexibility**
Easy-to-exchange lenses with horizontal image angles from 15° to 103°
- **Powerful, Intelligent And Flexible Mx6 System Platform**
Simultaneous streaming of up to three video codecs (MxPEG, MJPEG And H.264)
- **Intelligent 3D Motion Detection And Video Analysis**
MxActivitySensor and MxAnalytics integrated as standard
- **Reduced Energy Costs**
Power consumption < 5 W, standard PoE
- **Virtually Maintenance-Free (IP66)**
Weatherproof, operates reliably from -30 to 50°C

Technical Specifications

MOBOTIX D26 Dome



Camera Variants	D26 Body Day Or Night Lens For Self-Assembly	D26 Day Complete Camera	D26 Night Complete Camera
Specialties	D26 Body with 6MP Day or Night sensor: Mx-D26A-6D or Mx-D26A-6N; Lenses available separately for self-assembly	Factory-assembled D26 Day or Night cameras with sharply focused lens (not available in the Americas)	
Lenses	D26 Body Day Or Night Lens For Self-Assembly	D26 Day Complete Camera	D26 Night Complete Camera
Ultra Wide Lens MX-B036 (f/1.8, 103° x 77°)	Lens selection for D26 Body Day/Night Body Day: Mx- D26A-6D Body Night: Mx-D26A-6N	Mx-D26A-6D036	Mx-D26A-6N036
Super Wide Lens MX-B041 (f/1.8, 90° x 67°)		Mx-D26A-6D041	Mx-D26A-6N041
Wide Lens MX-B061 (f/1.8, 60° x 45°)		Mx-D26A-6D061	Mx-D26A-6N061
Standard Lens MX-B079 (f/1.8, 45° x 34°)		Mx-D26A-6D079	Mx-D26A-6N079
Tele Lens MX-B119 (f/1.8, 31° x 23°)		Mx-D26A-6D119	Mx-D26A-6N119
Distant Tele Lens MX-B237 (f/1.8, 15° x 11°)		Mx-D26A-6D237	Mx-D26A-6N237
Hardware	D26 Body Day Or Night Lens For Self-Assembly	D26 Day Complete Camera	D26 Night Complete Camera
Image sensor with individual exposure zones	Color or Black & White (B/W)	Color	B/W
Light sensitivity in lux at 1/60 s and 1/1 s	0.1/0.005 (Color) 0.02/0.001 (B/W)	0.1/0.005 (Color)	0.02/0.001 (B/W)
Image sensor (color or B/W sensor)	1/1.8" CMOS, 6MP (3072 x 2048), Progressive Scan		
Microprocessor	i.MX 6 Dual Core incl. GPU (1 GB RAM, 512 MB Flash)		
H.264 Hardware Codec	Yes, bandwidth limitation available; output image format up to QXGA		
Protection classes	IP66 and IK10 (with and without Vandalism Set)		
Intended use	Not for use in hazardous areas (Ex area)		
Ambient temperature (range, incl. storage)	-30 to 50°C/-22 to 122°F		
Internal DVR, ex works	4 GB (microSD)		
Microphone/speaker	No/No (optional audio extension via external ExtIO module)		
Passive infrared sensor (PIR)	No		
Temperature sensor	Yes		
Shock detector (tamper detection)	Yes (with future software update)		
Power consumption (typical)	< 5 watts		
PoE Class (IEEE 802.3af)	Class 2 or 3 (variable), factory setting: class 3		
Interfaces Ethernet 100BaseT/MxBus/USB	Yes (MxRJ45)/No/Yes		
Interface RS232	With accessory (MX-232-IO-Box)		
Mounting options	Wall, ceiling or pole (with optional Wall & Pole/Corner Mount Set)		
Dimensions (height x diameter)	86 x 160 mm		
Weight	350 g		
Housing	Fixed Dome, PBT-30GF, color: white		
Standard accessory	Screws, dowels, allen screw, toothed wrench, Torx wrench, 0.5 m ethernet patch cable, Quick Install, 1x lens cover		
Detailed technical documentation	www.mobotix.com > Support > Manuals		
Online version of this document	www.mobotix.com > Support > Spec Sheets		
MTBF	> 80,000 hours		

Technical Specifications

MOBOTIX D26 Dome



Hardware	D26 Body Day Or Night Lens For Self-Assembly	D26 Day Complete Camera	D26 Night Complete Camera
Certifications	EN55022:2010; EN55024:2010; EN50121-4:2006 EN61000-6-1:2007; EN 61000-6-2:2005 EN61000-6-3:2007+A1:2011 EN61000-6-4:2007+A1:2011 AS/ NZS CISPR22:2009+A1:2010 CFR47 FCC part15B		
Protocols	IPv4, IPv6, HTTP, HTTPS, FTP, SFTP, RTP, RTSP, UDP, SNMP, SMTP, DHCP (client and server), NTP (client and server), SIP (client and server) G.711 (PCMA and PCMU) and G.722		
Image Formats, Frame Rates, Image Storage	D26 Body Day Or Night Lens For Self-Assembly	D26 Day Complete Camera	D26 Night Complete Camera
Available video codecs	MxPEG/MJPEG/H.264		
Image formats	Freely configurable format 4:3, 8:3, 16:9 or customized format (Image Cropping), such as 2592x1944 (5MP), 2048x1536 (QXGA), 1920x1080 (Full-HD), 1280x960 (MEGA)		
Multistreaming	Yes		
Multicast stream via RTSP	Yes		
Max. image format	6MP (3072 x 2048)		
Max. frame rate (fps, only single core used)	MxPEG: 42@HD(1280x720), 34@Full-HD, 24@QXGA, 15@5MP, 12@6MP MJPEG: 26@HD(1280x720), 13@Full-HD, 9@QXGA, 5@5MP, 4@6MP H.264: 25@Full-HD, 20@QXGA		
Number of images with 4 GB microSD (internal DVR)	CIF: 250,000, VGA: 125,000, HD: 40,000, QXGA: 20,000, 6MP: 10,000		



General Functions	D26 Body Day Or Night Lens For Self-Assembly	D26 Day Complete Camera	D26 Night Complete Camera
Digital zoom and pan	Yes		
ONVIF compatibility	Yes, complete ONVIF Profile S supported by future software update		
Genetec protocol integration	Yes		
Programmable exposure zones	Yes		
Snapshot recording (pre/post-alarm images)	Yes		
Continuous recording with audio	With external audio accessory (MOBOTIX ExtIO)		
Event recording with audio	With external audio accessory (MOBOTIX ExtIO)		
Time controlled flexible event logic	Yes		
Weekly schedules for recordings and actions	Yes		
Event video and image transfer via FTP and email	Yes		
Playback and QuadView via web browser	Yes		

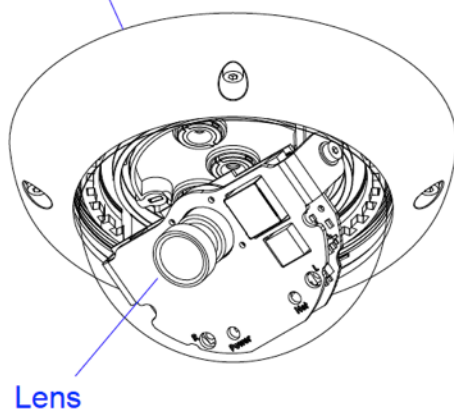
Technical Specifications

MOBOTIX D26 Dome

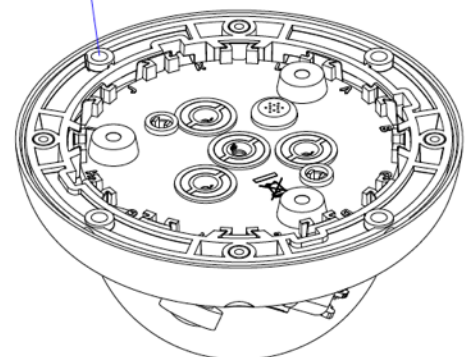


General Functions	D26 Body Day Or Night Lens For Self-Assembly	D26 Day Complete Camera	D26 Night Complete Camera
Bidirectional audio in browser	With external audio accessory (MOBOTIX ExtIO)		
Animated logos on the image	Yes		
Master/Slave functionality	Yes		
Privacy zone scheduling	Yes		
Customized voice messages	Yes		
VoIP telephony (audio/video, alert)	With external audio accessory (MOBOTIX ExtIO)		
Remote alarm notification (network message)	Yes		
Programming interface (HTTP-API)	Yes		
DVR	Inside camera via microSD card, externally via USB device and NAS, different streams for live image and recording, MxFFS with archive function, pre-alarm an post-alarm images, monitoring recording with failure reporting		
Camera and data security	User and group management, SSL connections, IP-based access control, IEEE802.1x, intrusion detection, digital image signature		
MxMessageSystem: Sending and receiving of MxMessages	Yes		
Video Analysis	D26 Body Day Or Night Lens For Self-Assembly	D26 Day Complete Camera	D26 Night Complete Camera
Video motion detector	Yes		
MxActivitySensor	Yes		
MxAnalytics	Yes (Heatmaps, counting corridors)		
Video Management Software	D26 Body Day Or Night Lens For Self-Assembly	D26 Day Complete Camera	D26 Night Complete Camera
MxManagementCenter	Yes		
Mobile MOBOTIX App	Yes		

Camera housing



Mounting ring

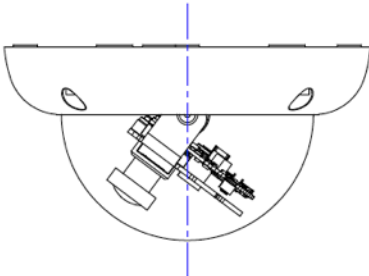


Technical Specifications

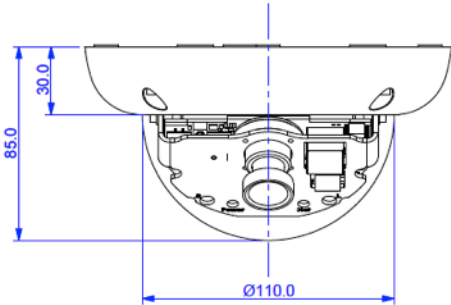
MOBOTIX D26 Dome



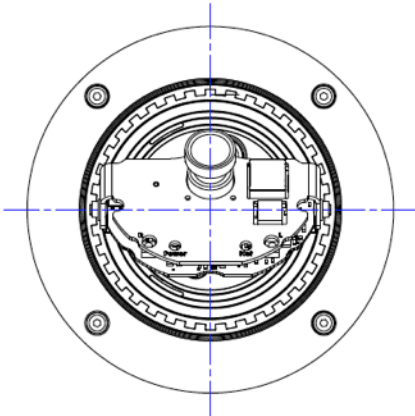
Side



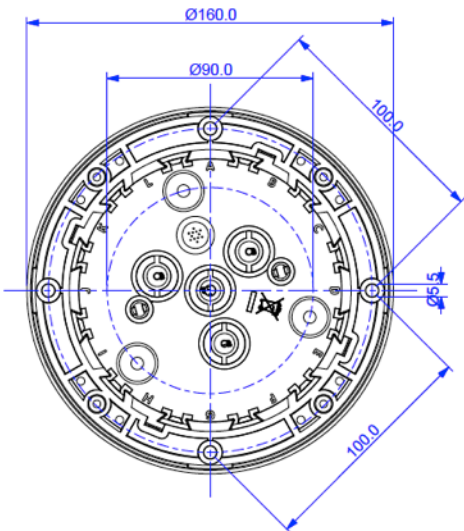
Front



Top



Bottom



Dimensions in mm