

H5A-PTZ Camera

2 MP

The Avigilon H5A Pan-Tilt-Zoom (PTZ) camera brings wide area coverage, high-speed movement and long range detail, empowering security operators with 360° views to monitor large areas with ease, including greater zooming capabilities for evidentiary detail. This powerful camera delivers high-quality, detailed images with up to 36x zoom, which is ideal for critical infrastructure, public safety, sports and leisure, commercial buildings, transportation and large open areas (e.g. parking lots) for superior situational awareness.

As an Avigilon H5 platform camera, the H5A-PTZ camera is embedded with Next-Generation Video Analytics for enhanced object detection and classification, Unusual Activity Detection (UAD), Facial Recognition technology and Avigilon Appearance Search™ technology support to help ensure critical events do not go unnoticed.



Features



NEXT-GENERATION VIDEO ANALYTICS

Detects more objects with expanded object classifications and greater accuracy for faster responses, even in crowded scenes.



LONG RANGE DETAIL

2 MP with 36x zooming capabilities sets a new standard for high-performance 36x PTZ cameras with greater evidentiary detail.



H.264 AND H.265 WITH HDSM SMARTCODEC™ TECHNOLOGY

Optimizes compression levels for regions in a scene to help maximize bandwidth savings and keep internet connectivity costs down.



WATER, IMPACT AND ENCLOSURE RATED

IP66/7 rating for water resistance, IK10 impact rating for vandal resistance and NEMA 4X enclosure rating for windblown dust, water (e.g. rain, hose-directed water), and corrosion resistance.



LIGHTCATCHER™ TECHNOLOGY

Offers exceptional detail in areas with low lighting.



TRUE WIDE DYNAMIC RANGE

Captures details in scenes with both very bright and very dark areas.



ONVIF® COMPLIANT

Native ONVIF Profile S, T, and G compliance allows easy integration with existing ONVIF infrastructures.



FIPS 140-2 COMPLIANT

Enables the camera to be deployed at sites requiring FIPS-compliant cryptography.



EASY TRANSITION FROM H4 PTZ TO H5A-PTZ

Field-replaceable parts allow for an easy transition from H4 PTZ cameras to H5A-PTZ cameras.



WIDE AREA COVERAGE

Provides 360° zoomable views in high-resolution to monitor large areas with ease.

Specifications

| | | 2.0 MP | | |
|--------------------------|-----------------------------------|---|---|--|
| IMAGE PERFORMANCE | Image Sensor | 1/2.8" progressive scan CMOS | | |
| | Active Pixels (H x V) | 1920 (H) x 1080 (V) | | |
| | Imaging Area (H x V) | 4.8 mm x 2.7 mm; 0.189" x 0.106" | | |
| | Minimum Illumination | 0.1 lux (F/1.6) in color mode; 0.03 lux (F/1.6) in monochrome | | |
| | Dynamic Range | 120+ dB | | |
| | Image Rate | Up to 60 fps | | |
| | Aspect Ratio (Resolution Scaling) | Down to (16:9) 384x216 or (5:4) 320x256 | | |
| | 3D Noise Reduction Filter | Yes | | |
| LENS | Lens | 4.3 mm to 129 mm, F/1.6 – F/4.7, autofocus | | |
| | Angle of View | Horizontal | 63.7° – 1.9° | |
| | | Vertical | 38.5° – 1.1° | |
| | Zoom | 36x (with image stabilization off), 30x (with image stabilization on) | | |
| IMAGE CONTROL | Video Compression | H.264 HDSM SmartCodec, H.265 HDSM SmartCodec, Motion JPEG | | |
| | Streaming | Multi-stream H.264, Multi-stream H.265, Motion JPEG | | |
| | Motion Detection | Pixel motion: Selectable sensitivity and threshold. Classified object detection | | |
| | Electronic Shutter Control | Automatic, Manual (1/1 to 1/10,000 sec) | | |
| | Iris Control | Automatic, Open, Closed | | |
| | Day/Night Control | Automatic, Manual | | |
| | Flicker Control | 60 Hz, 50 Hz | | |
| | White Balance | Automatic, Manual | | |
| | Backlight Compensation | On/Off | | |
| | Privacy Zones | 3D, up to 64 zones | | |
| | Presets | 500 named presets | | |
| | Tours | 10 named tours | | |
| | Audio Compression Method | G.711, Opus | | |
| | Digital Zoom | Up to 100x when used with ACC™ Client | | |
| | Electronic Image Stabilization | Yes | | |
| | Digital Defog | Adjustable/Off | | |
| NETWORK | Network | 100BASE-TX | | |
| | Cabling Type | CAT5e | | |
| | Connector | RJ-45 | | |
| | ONVIF | ONVIF compliance version 1.02, 2.00, Profile S, Profile T, Profile G (www.onvif.org) | | |
| | Security | Password protection, HTTPS encryption, digest authentication, WS authentication, user access log, 802.1x port based authentication, FIPS 140-2 L1 | | |
| | Protocol | IPv6, IPv4, HTTP, HTTPS, SOAP, DNS, NTP, RTSP, RTCP, RTP, TCP, UDP, IGMP, ICMP, DHCP, Zeroconf, ARP | | |
| | Streaming Protocols | RTP/UDP, RTP/UDP multicast, RTP/RTSP/TCP, RTP/RTSP/HTTP/TCP, RTP/RTSP/HTTPS/TCP, HTTP | | |
| | Device Management Protocols | SNMP v2c, SNMP v3 | | |
| | PERIPHERALS | Audio Input/Output | Line level input and output | |
| | | External I/O Terminals | 2 Alarm In, 2 Alarm Out | |
| Onboard Storage | | 2 x microSD/microSDHC/microSDXC slot – minimum class 6; class 10/UHS-1 or better recommended. | | |
| MECHANICAL | | IN-CEILING MOUNT | PENDANT MOUNT | |
| | Dimensions (ØxH) | 228 mm x 252 mm; 9.0" x 9.9" | 242 mm x 347 mm; 9.5" x 13.7" | |
| | Weight | 3.4 kg; 7.5 lbs | 3.7 kg; 8.2 lbs | |
| | Dome Bubble | Polycarbonate | | |
| | Body | Aluminum | | |
| | Housing | Recessed mount | Pendant mount | |
| | Finish | Powder coat, grey | | |
| | Tilt | -10° to 90°, e-Flip, 300°/second | | |
| | Pan | 360°, endless, 300°/second | | |
| ELECTRICAL | Power Consumption | 51 W max with 24 VDC aux power, 75 VA with 24 VAC aux power, 51 W max with 60 W PoE+, 25.5 W max with 30 W PoE+ | | |
| | Power Source | External Power | 24 VDC ±10%; 24 VAC rms ±10%, 50 or 60 Hz | |
| | | PoE* | 60 W PoE: IEEE 802.3bt Class 6 PoE+, 60 W Cisco UPoE, Microsemi 60 W or higher midspans 30 W PoE: IEEE 802.3bt, 802.3at Class 4 PoE+ | |
| | Power Connector | Red and Black input wires | | |
| | RTC Backup Battery | 3V manganese lithium | | |

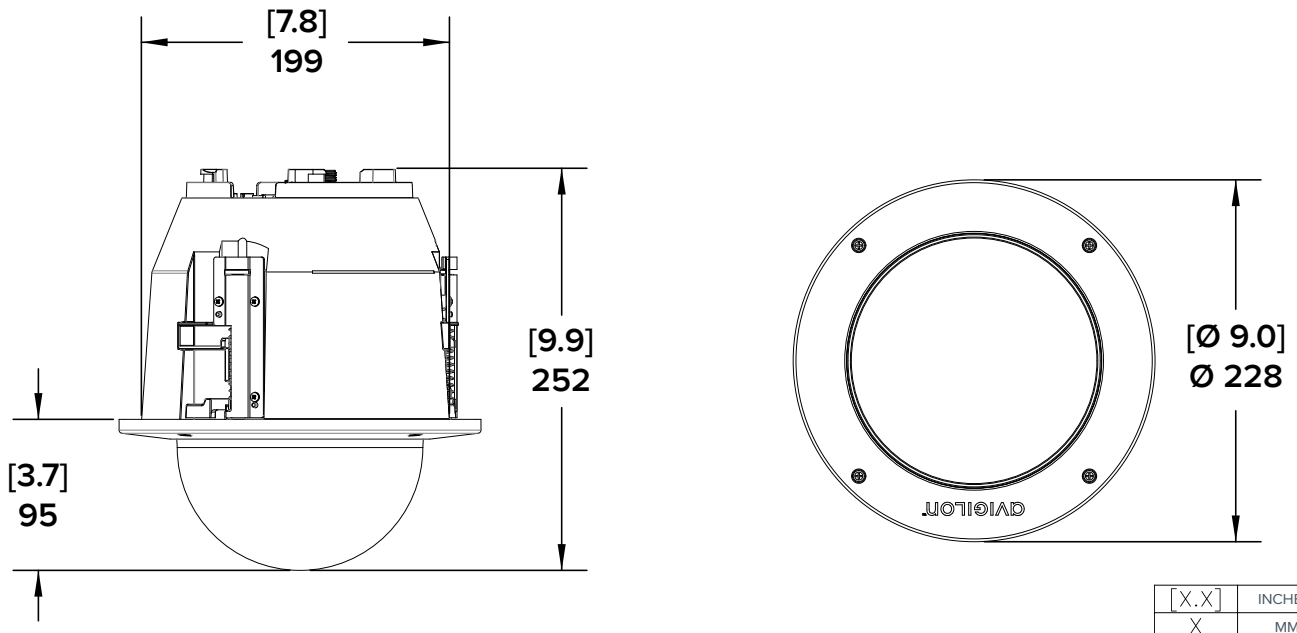
* 60W PoE may not be compatible with switches and injectors not listed here. Contact Avigilon sales or Avigilon technical support for more information.

| | | IN-CEILING MOUNT | PENDANT MOUNT | |
|--|------------------------------------|---|--|--|
| ENVIRONMENTAL | Operating Temperature | -30 °C to +60 °C (-22 °F to 140 °F) | -40 °C to +60 °C (-40 °F to 140 °F) | |
| | Storage Temperature | -10 °C to +70 °C (14 °F to 158 °F) | | |
| | Humidity | 0-95%, non-condensing | | |
| CERTIFICATIONS | Certifications/Directives | UL, cUL, CE, ROHS, RCM | | |
| | Safety | UL 62368-1, CSA 62368-1, IEC/EN 62368-1 | | |
| | Environmental | In-Ceiling | IEC 62262 IK10 Impact Rating, UL 2043 | |
| | | Pendant | IEC 62262 IK10 Impact Rating, UL/CSA/IEC 60950-22, IEC 60529 IP66 and IP67 Weather Rating, NEMA 4X | |
| | Electromagnetic Emissions | FCC Part 15 Subpart B Class B, IC ICES-003 Class B, EN 55032 Class B, EN 61000-6-3, EN 61000-6-4, EN 61000-3-2, EN 61000-3-3, EN 50121-4 | | |
| Electromagnetic Immunity | EN 55035, EN 61000-6-1, EN 50121-4 | | | |
| SUPPORTED VIDEO ANALYTICS EVENTS AT HOME POSITION | Objects in Area | The event is triggered when the selected object type moves into the region of interest. | | |
| | Object Loitering | The event is triggered when the selected object type stays within the region of interest for an extended amount of time. | | |
| | Objects Crossing Beam | The event is triggered when the specified number of objects have crossed the directional beam that is configured over the camera's field of view. The beam can be unidirectional or bidirectional. | | |
| | Object Appears or Enters Area | The event is triggered by each object that enters the region of interest. This event can be used to count objects. | | |
| | Object Not Present in Area | The event is triggered when no objects are present in the region of interest. | | |
| | Objects Enter Area | The event is triggered when the specified number of objects have entered the region of interest. | | |
| | Objects Leave Area | The event is triggered when the specified number of objects have left the region of interest. | | |
| | Object Stops in Area | The event is triggered when an object in a region of interest stops moving for the specified threshold time. | | |
| | Direction Violated | The event is triggered when an object moves in the prohibited direction of travel. | | |
| | Tamper Detection | The event is triggered when the scene unexpectedly changes. | | |
| SUPPORTED CLASSIFIED OBJECT TYPES | Object Types in Outdoor Mode | Vehicle, sub-types: Car, Truck, Bicycle, Motorcycle, Bus Person | | |
| | Object Types in Indoor Mode | Person | | |
| TEACH BY EXAMPLE | Teach By Example | Yes, when used with Avigilon Control Center™ | | |
| AVIGILON CONTROL CENTER (ACC) VERSIONS SUPPORTED FEATURES | ACC Version 6.14.12 or higher | All supported analytic events with two types of classified objects: person or vehicle. Appearance search when paired with appropriate server hardware. H.265 supported. | | |
| | ACC Version 7.2 or higher | All supported analytic events with people and vehicles and all vehicle sub-types as classified objects. Appearance search when paired with appropriate server hardware. H.265 supported. | | |

Outline Dimensions

In-Ceiling PTZ Dome Camera

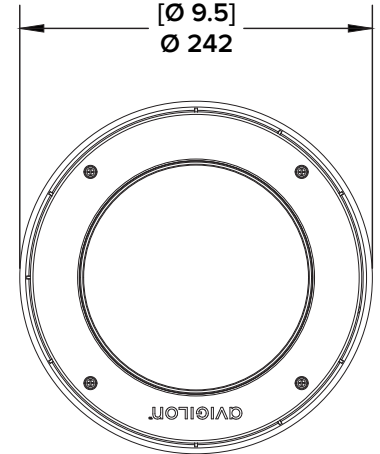
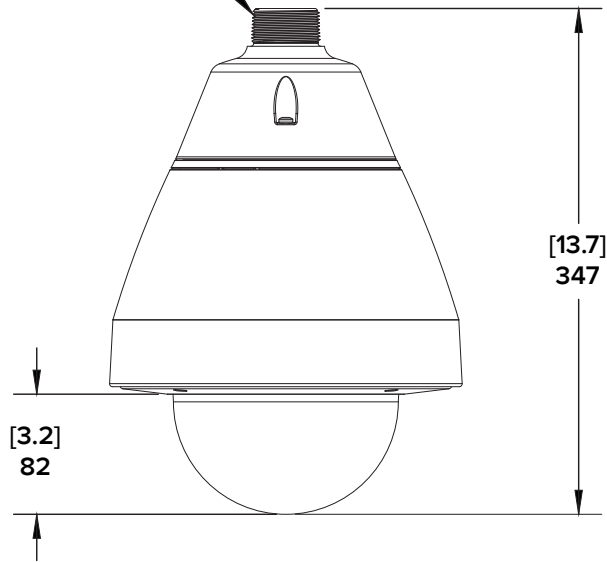
(H5A-PTZ-DC)



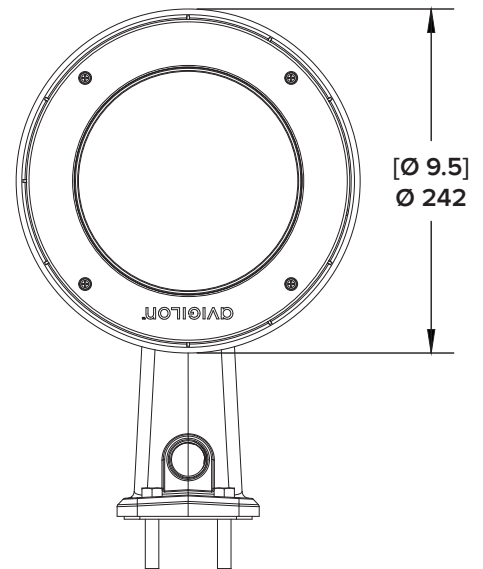
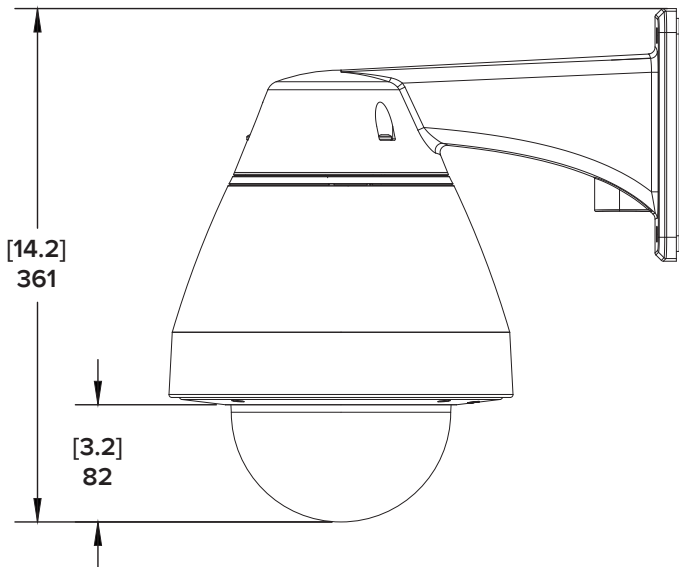
Pendant PTZ Dome Camera

(H5A-PTZ-DP)

1 1/2" NPT Thread Mount



(H5A-PTZ-DP) WITH WALL ARM



Ordering Information

| PTZ DOME CAMERAS | MP | WDR | LIGHTCATCHER TECHNOLOGY | ANALYTICS AT HOME POSITION | LENS | ZOOM | IP66/IP67 | HDSM SMARTCODEC |
|-------------------|-----|----------|-------------------------|----------------------------|--------------|------|-----------|-----------------|
| 2.0C-H5A-PTZ-DP36 | 2.0 | True WDR | ✓ | ✓ | 4.3 – 129 mm | 36x* | ✓ | ✓ |
| 2.0C-H5A-PTZ-DC36 | 2.0 | True WDR | ✓ | ✓ | 4.3 – 129 mm | 36x* | | ✓ |

* 36x zoom is achieved with Image Stabilization off. Image Stabilization set to on will provide 30x zoom.

| PTZ CAMERA ACCESSORIES | PENDANT PTZ | IN-CEILING PTZ | DESCRIPTION |
|------------------------|-------------|----------------|---|
| IRPTZ-MNT-NPTA1 | ✓ | | NPT Pendant Adapter |
| IRPTZ-MNT-WALL1 | ✓ | | Wall Arm Mount |
| H4-MT-POLE1 | ✓ | | Pole Mounting Bracket |
| H4-MT-CRNR1 | ✓ | | Corner Mounting Bracket |
| PTZMH-DC-CPNL1 | | ✓ | Metal Ceiling Panel for In-Ceiling Installation |
| PTZH5A-CLER1 | ✓ | ✓ | Clear Bubble Assembly - Replacement |
| PTZH5A-SMOK1 | ✓ | ✓ | Smoked Bubble Assembly - Replacement |
| POE-INJ-BT-60W-NA | ✓ | ✓ | Gigabit 802.3bt 60W PoE Injector, single port. NA/EU/AU options available. |
| POE-INJ2-PLUS-NA | ✓ | ✓ | 30W PoE+ Injector. Injector operational temperature range is -20°C (-4°F) to 40°C (104°F). NA/EU/UK/AU options available. |
| PTZ-ACCS-IC-RETRO | | ✓ | H4 In-Ceiling PTZ audio retrofit kit |
| H5PTZ-ACCS-CABL1 | ✓ | | Cable gland nut kit, pack of 10 |