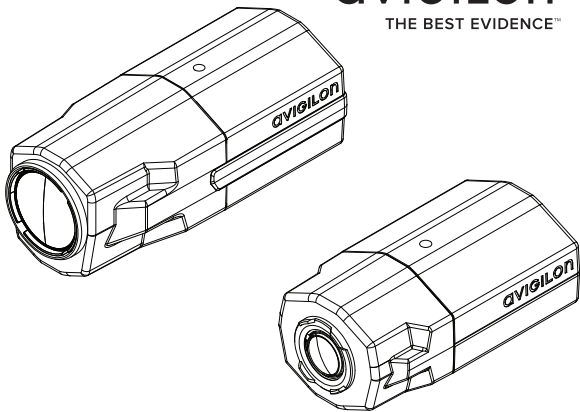


AVIGILON

THE BEST EVIDENCE™



Installation Guide

Avigilon High Definition H.264 IP Camera Models:

1.0-H3-B1, 1.0-H3-B2, 1.0-H3-B3, 1.3L-H3-B2, 1.3L-H3-B3, 2.0-H3-B1,
2.0-H3-B2, 2.0-H3-B3, 3.0W-H3-B2, 3.0W-H3-B3, 5.0-H3-B2
and 5.0-H3-B3

Important Safety Information

This manual provides installation and operation information and precautions for the use of this camera. Incorrect installation could cause an unexpected fault. Before installing this equipment read this manual carefully. Please provide this manual to the owner of the equipment for future use.



The Warning symbol indicates the presence of dangerous voltage within and outside the product enclosure that may constitute a risk of electric shock, serious injury or death to persons if proper precautions are not followed.



The Caution symbol alerts the user to the presence of hazards that may cause minor or moderate injury to persons, damage to property or damage to the product itself if proper precautions are not followed.



Warning — Failure to observe the following instructions may result in severe injury or death.

- Do not use near water or expose to dripping or splashing. Do not place objects filled with liquids above the device.
- Do not expose to rain or moisture.
- For indoor use only.
If used outdoors, an approved outdoor mounting adapter or enclosure is required. Consult with Avigilon for more information.
- Installation must be performed by qualified personnel only, and must conform to all local codes.
- This product is intended to be supplied by a UL Listed Power Unit marked “Class 2” or “LPS” or “Limited Power Source” with output rated 12 VDC or 24 VAC, 6 W min. or Power over Ethernet (PoE), rated 48 VDC, 6 W min.
- Any external power supply connected to this product may only be connected to another Avigilon product of the same

model series. External power connections must be properly insulated.

- Do not connect directly to mains power for any reason.



Caution — Failure to observe the following instructions may result in injury or damage to the camera.

- Do not install near any heat sources such as radiators, heat registers, stoves, or other sources of heat.
- Do not subject the cables to excessive stress, heavy loads or pinching.
- Do not open or disassemble the device. There are no user serviceable parts.
- Refer all servicing to qualified personnel.
Servicing may be required when the device has been damaged (such as from a liquid spill or fallen objects), has been exposed to rain or moisture, does not operate normally, or has been dropped.
- Do not use strong or abrasive detergents when cleaning the device body.
- Use only accessories recommended by Avigilon.
- Use only UL-listed mounting bracket suitable for the mounting surface and minimum 0.7 kg (1.5 lb) weight.
- Use of controls or adjustments or performance of procedures other than those specified in this document may result in hazardous radiation exposure.

Regulatory Notices

This device complies with part 15 of the FCC Rules. Operation is subject to the following two conditions: (1) This device may not cause harmful interference, and (2) this device must accept any interference received, including interference that may cause undesired operation.

This Class B digital apparatus complies with Canadian ICES-003.

FCC Notice

This equipment has been tested and found to comply with the limits for a Class B computing device pursuant to Subpart B of Part 15 of FCC rules, which are designed to provide reasonable protection against such interference when operated in a commercial environment. Operation of this equipment in a residential area is likely to cause interference, in which case the user at his/her own expense will be required to take whatever measures may be required to correct the interference.

Changes or modifications made to this equipment not expressly approved by Avigilon Corporation or parties authorized by Avigilon Corporation could void the user's authority to operate this equipment.

Disposal and Recycling Information

When this product has reached the end of its useful life, please dispose of it according to your local environmental laws and guidelines.

European Union:



This symbol means that according to local laws and regulations your product should be disposed of separately from household waste. When this product reaches its end of life, take it to a collection point designated by local authorities. Some collection points accept products for free. The separate collection and recycling of your product at the time of disposal will help conserve natural resources and ensure that it is recycled in a manner that protects human health and the environment.

Other Notices

Compilation and Publication Notice

This manual has been compiled and published covering the latest product descriptions and specifications. The contents of this manual and the specifications of this product are subject to change without notice. Avigilon reserves the right to make changes without notice in the specifications and materials contained herein and shall not be responsible for any damages (including consequential) caused by reliance on the materials presented, including but not limited to typographical and other errors relating to the publication.

Intellectual Property Notice

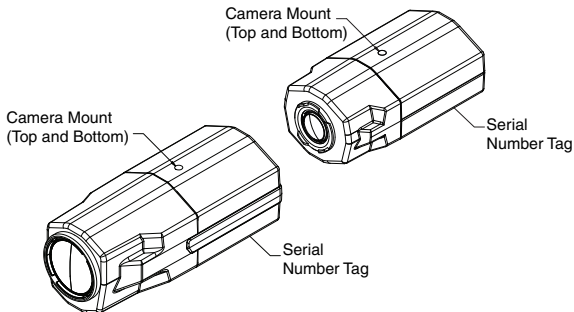
No license is granted by implication or otherwise under any industrial design, industrial design rights, patent, patent rights, or copyrights of Avigilon Corporation or its licensors. Trademarks and registered trademarks are the property of their respective owners.

Table of Contents

Overview	1
Front View	1
Rear View	2
Installation	3
Required Tools and Materials	3
Camera Package Contents	3
Installation Steps	3
Mounting the Camera	3
Connecting Cables	4
Assigning an IP Address	5
Accessing the Live Video Stream	5
Aiming and Focusing the Camera	6
For More Information	6
Cable Connections	7
Connecting External Power	7
Connecting to External Devices	8
Connecting to Microphones, Speakers and Video Monitors	9
LED Indicators	10
Reset to Factory Default Settings	11
Setting the IP Address Through the ARP/Ping Method	12
Specifications	13
Limited Warranty & Technical Support	14

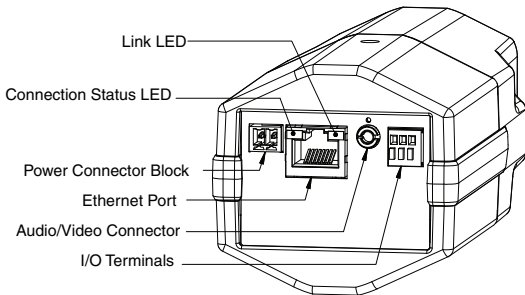
Overview

Front View



Feature	Description
Camera Mounts	Mounting points for the camera. Mounts accept 1/4" - 20 UNC bolts commonly found on mounting brackets.
Serial Number Tag	Product serial number and part number label.

Rear View



Feature	Description
Ethernet Port	Accepts an Ethernet connection to a network. Server communication and image data transmission occurs over this connection. Also receives power when it is connected to a network that provides Power over Ethernet.
Power Connector Block	Accepts a terminal block with either AC or DC power connection. DC input can be either polarity. Only required when Power over Ethernet is not available.
Audio/Video Connector	Accepts a mini-jack connector (3.5 mm). See the section about connecting microphones and monitors for more information.
I/O Terminals	Provides connections to external input/output devices. See the section about connecting external devices for more information.
Connection Status LED	Provides information about device operation. See LED indicators for more information.
Link LED	Indicates if there is an active connection in the Ethernet port.

Installation

Required Tools and Materials

- Small slotted screwdriver with 5/64" or 2 mm blade width — for connecting power when not using Power over Ethernet.
- Mounting bracket, enclosure or tripod.

Camera Package Contents

Ensure the package contains the following:

- Avigilon High Definition IP Camera
- Terminal block

Installation Steps

Complete the following procedures to install the camera.

1. *Mounting the Camera* on page 3
2. *Connecting Cables* on page 4
3. *Assigning an IP Address* on page 5
4. *Accessing the Live Video Stream* on page 5
5. *Aiming and Focusing the Camera* on page 6

Mounting the Camera

Camera mounting points are provided on both the top and bottom of the camera body. Use these mounting points to mount the camera on a bracket, in an enclosure, or on a tripod. The mounting points have ¼"-20 UNC threaded holes which allow them to accept standard photographic mounting bolts.

Consult the installation instructions provided with the bracket, enclosure or tripod for detailed mounting instructions.



Caution — This camera is designed for indoor use only.



Warning — Use only UL-listed mounting bracket suitable for the mounting surface and minimum 0.7 kg (1.5 lb) weight.

Connecting Cables

Refer to the diagrams in the Overview section for the location of the different connectors.

To connect the cables required for proper operation, complete the following:

1. If there are external input or output devices that need to be connected to the camera (for example: door contacts, relays, etc), connect the devices to the camera I/O Terminals.
For more information, see *Connecting to External Devices*.
2. If an external microphone or external video monitor needs to be connected to the camera, connect the devices to the camera Audio/Video Connector.
For more information, see *Connecting to Microphones and Video Monitors*.
3. Connect the Ethernet Port (RJ45 connector) to a network using an Ethernet network cable. The Link LED will turn on once a network link has been established.
4. Connect power using one of the following methods:
 - Power over Ethernet (PoE) Class 3 — If PoE is available, the camera is automatically detected when the network cable is connected.
 - External Power — Connect an external 12 VDC or 24 VAC power source to the power connector block.
For more information, see *Connecting Power*.

5. Check that the Connection Status LED indicates the correct state.
For more information, see *LED Indicators*.

Assigning an IP Address

The camera automatically obtains an IP address by default. Once connected to a network, it attempts to locate and obtain an IP address from a DHCP server. If this fails, Zero Configuration Networking (Zeroconf) is used to choose an IP address. When the IP address is set using Zeroconf, the IP address is in the 169.254.0.0/16 subnet.

The IP address settings can be changed using one of the following methods:

- Avigilon Camera Installation Tool software application.
- Camera's web browser interface:
`http://<camera IP address>/`
- ARP/Ping method. For more information, see *Setting the IP Address through the ARP/Ping Method*.
- Network Video Management software application (for example, Avigilon Control Center).

NOTE: The default camera username is *admin* and the default password is *admin*.

Accessing the Live Video Stream

Live video stream can be viewed using one of the following methods:

- Avigilon Camera Installation Tool software application.
- Camera's web browser interface:
`http://<camera IP address>/`
- Network Video Management software application (for example, Avigilon Control Center).

NOTE: The default camera username is *admin* and the default password is *admin*.

Aiming and Focusing the Camera

Use the Avigilon Camera Installation Tool to aim and focus the camera. Consult the software user guide for more information.

1. In the Image and Display settings dialog box, use the Zoom controls to achieve the desired zoom position for the camera.
2. In the Image and Display settings dialog box, use the **Auto Focus** button to focus the lens.

If the desired focus position was not achieved, use the focus near and far buttons to adjust the focus.



Caution — Do not attempt to adjust the focus and zoom on the camera itself or the camera lens may become damaged.

For More Information

Additional information about setting up and using the device is available in the following guides:

- *Avigilon Camera Installation Tool User Guide*
- *Avigilon Control Center Client User Guide*
- *Avigilon High Definition H.264 Web Interface User Guide*

The manuals are available on the Avigilon website: <http://avigilon.com/support-and-downloads>.

Cable Connections

Connecting External Power

NOTE: Do not perform this procedure if Power over Ethernet (POE) is used.

If PoE is not available, the camera needs to be powered through the removable power connector block. Refer to the diagrams in this guide for the location of the power connector block.

The device can be powered from 12 VDC or 24 VAC. The power consumption information is listed in the product specifications.

To connect power to the power connector block, complete the following steps:

1. Remove the power connector block from the device.
2. Remove the insulation from $\frac{1}{4}$ " (6 mm) of the power wires. Do not nick or damage the wires.
3. Insert the two power wires into the two terminals on the power connector block. The connection can be made with either polarity.
Use a small slotted ($\frac{5}{64}$ " or 2 mm blade width) screwdriver to loosen and tighten the terminals.
4. Attach the power connector block back into the receptacle on the device.



Warning — This product is intended to be supplied by a UL Listed Power Unit marked “Class 2” or “LPS” or “Limited Power Source” with output rated 12 VDC or 24 VAC, 6 W min. or PoE rated 48 VDC, 6 W min.

Connecting to External Devices

External devices are connected to the camera through the I/O terminal. The pinout for the I/O terminal is shown in the following table and diagram.

Table: External I/O Terminals

Pin	Function	Description
1	Ground	Ground
2	Input	To activate, connect the Input to the Ground pin. To deactivate, leave disconnected or apply between 3-15 V.
3	Output	When active, Output is internally connected with the Ground pin. Circuit is open when inactive. Maximum load is 25 VDC, 120 mA.

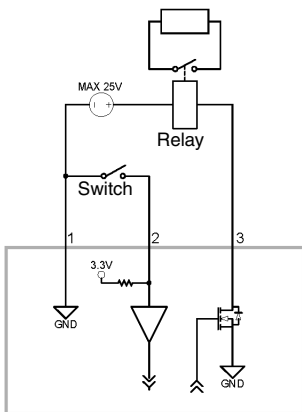


Figure: External I/O terminal schematics and example application.

Connecting to Microphones, Speakers and Video Monitors

The camera can be connected to an external microphone, speaker and video monitor through the audio/video connector. The connector is a mini-jack (3.5 mm), and the pinout for it is shown in the following diagram.

NOTE: The camera only supports line level mono audio input and an NTSC or PAL video output.

The video output signal is determined by the camera flicker control setting. When the camera flicker control is set to 60 Hz, the video output signal is NTSC. When the flicker control is set to 50 Hz, the video output signal is PAL. Use the Avigilon Camera Installation Tool to configure the camera's flicker control in the Image and Display setup.

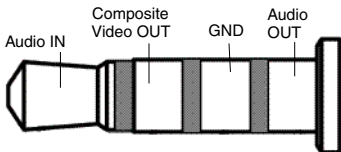


Figure: Mini-jack audio video connector.

LED Indicators

Once the camera is connected to the network, the Connection Status LED will display the camera's progress in connecting to the Network Video Management software.

The following table describes what the LEDs indicate:

Table:LED Indicators

Connection State	Connection Status LED	Description
Obtaining IP Address	One short flash every second	Attempting to obtain an IP address.
Discoverable	Two short flashes every second	Obtained an IP address but is not connected to the Network Video Management software.
Upgrading Firmware	Two short flashes and one long flash every second	Updating the firmware.
Connected	On	Connected to the Network Video Management software.

Reset to Factory Default Settings

If the camera no longer functions as expected, you can choose to restore the camera to its factory default settings.

Use the firmware revert button to reset the camera.

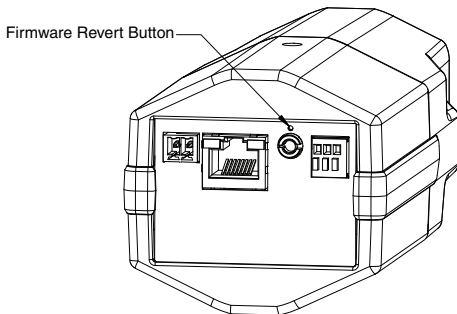


Figure: The firmware revert microswitch on the rear of the camera.

1. Disconnect power from the camera.
2. Using a straightened paperclip or similar tool, gently press and hold the firmware revert button.
3. While continuing to hold the button, power the device. Release the button after three seconds.



Caution — Do not apply excessive force. Inserting the tool too far will damage the device.

Setting the IP Address Through the ARP/Ping Method

Complete the following steps to configure the camera to use a specific IP address:

1. Locate and copy down the MAC Address (MAC) listed on the Serial Number Tag for reference.
2. Open a Command Prompt window and enter the following commands:
 - a. `arp -s <New Camera IP Address> <Camera MAC Address>`
For example: `arp -s 192.168.1.10 00-18-85-12-45-78`
 - b. `ping -l 123 -t <New Camera IP Address>`
For example: `ping -l 123 -t 192.168.1.10`
3. Reboot the camera.
4. Close the Command Prompt window when you see the following message:
Reply from *<New Camera IP Address>*: ...

Specifications

	H3-B1	H3-B2	H3-B3
Camera			
Audio Input	Line input, A/V mini-jack (3.5 mm)		
Video Output	NTSC/PAL, A/V mini-jack (3.5 mm)		
Lens	4.7-84.6mm, F1.6, auto iris	3-9mm, F1.2, P-Iris	9-22mm, F1.6, P-Iris
Network			
Network	100Base-TX		
Cabling Type	CAT5		
Connector	RJ-45		
API	ONVIF compliance version 1.02, 2.00, Profile S (www.onvif.org)		
Security	Password protection, HTTPS encryption, digest authentication, WS authentication, user access log		
Protocols	IPv4, HTTP, HTTPS, SOAP, DNS, NTP, RTSP, RTCP, RTP, TCP, UDP, IGMP, ICMP, DHCP, Zeroconf, ARP		
Streaming Protocols	RTP/UDP, RTP/UDP multicast, RTP/RTSP/TCP, RTP/RTSP/HTTP/TCP, RTP/RTSP/HTTPS/TCP, HTTP		
Mechanical			
Dimensions ØxH	156 mm x 69 mm x 64 mm 6.1" x 2.7" x 2.5"	115 mm x 67 mm x 53 mm 4.5" x 2.6" x 2.5"	
Weight	0.56 kg (1.2 lbs)	0.47 kg (1.0 lbs)	
Camera Mount	1/4" UNC-20 (top and bottom)		
Electrical			
Power Consumption	6 W 4.5 W for LightCatcher model		
Power Source	VDC: 12 V VAC: 24 V PoE: IEEE802.3af Class 3 compliant		
Power Connector	2-pin terminal block		
Environmental			
Operating Temperature	-10 °C to +50 °C (14 °F to 122 °F)		
Storage Temperature	-10 °C to +70 °C (14 °F to 158 °F)		
Certifications0			
Safety	UL 60950 CE	CSA 60950 ROHS	EN 60950-1 WEEE
Electromagnetic Emissions	FCC Part 15 Subpart B Class B EN 55022 Class B		IC ICES-003 Class B
Electromagnetic Immunity	EN 55024 EN 61000-4-4 EN 61000-4-11	EN 61000-4-2 EN 61000-4-5	EN 61000-4-3 EN 61000-4-6

Limited Warranty & Technical Support

Avigilon warrants to the original consumer purchaser, that this product will be free of defects in material and workmanship for a period of 3 years from date of purchase.

The manufacturer's liability hereunder is limited to replacement of the product, repair of the product or replacement of the product with repaired product at the discretion of the manufacturer. This warranty is void if the product has been damaged by accident, unreasonable use, neglect, tampering or other causes not arising from defects in material or workmanship. This warranty extends to the original consumer purchaser of the product only.

AVIGILON DISCLAIMS ALL OTHER WARRANTIES EXPRESSED OR IMPLIED INCLUDING, WITHOUT LIMITATION, ANY IMPLIED WARRANTIES OF MERCHANTABILITY OR FITNESS FOR A PARTICULAR PURPOSE, EXCEPT TO THE EXTENT THAT ANY WARRANTIES IMPLIED BY LAW CANNOT BE VALIDLY WAIVED.

No oral or written information, advice or representation provided by Avigilon, its distributors, dealers, agents or employees shall create another warranty or modify this warranty. This warranty states Avigilon's entire liability and your exclusive remedy against Avigilon for any failure of this product to operate properly.

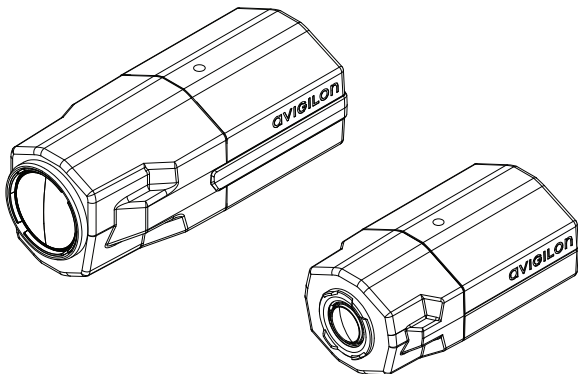
In no event shall Avigilon be liable for any indirect, incidental, special, consequential, exemplary, or punitive damages whatsoever (including but not limited to, damages for loss of profits or confidential or other information, for business interruption, for personal injury, for loss of privacy, for failure to meet any duty including of good faith or of reasonable care, for negligence, and for any other pecuniary or other loss whatsoever) arising from the use of or inability to use the product, even if advised of the possibility of such damages. Since some jurisdictions do not allow the above limitation of liability, such limitation may not apply to you.

This Limited Warranty gives you specific legal rights and you may also have other rights which vary from jurisdiction to jurisdiction.

Warranty service and technical support can be obtained by contacting Avigilon Technical Support by phone at 1.888.281.5182 or via email at support@Avigilon.com.

AVIGILON

THE BEST EVIDENCE™



Guide d'installation

Modèles de caméra IP H.264 haute définition Avigilon :

1.0-H3-B1, 1.0-H3-B2, 1.0-H3-B3, 1.3L-H3-B2, 1.3L-H3-B3, 2.0-H3-B1, 2.0-H3-B2, 2.0-H3-B3, 3.0W-H3-B2, 3.0W-H3-B3, 5.0-H3-B2 et 5.0-H3-B3

Informations de sécurité importantes

Ce manuel fournit des informations d'installation et d'exploitation, ainsi que des précautions d'utilisation pour la caméra. Une installation incorrecte peut entraîner une défaillance imprévue. Avant d'installer cet équipement, lisez attentivement ce manuel. Veuillez remettre ce manuel au propriétaire de l'équipement pour une utilisation ultérieure.



Le symbole d'avertissement indique la présence de tensions dangereuses, à l'intérieur et à l'extérieur du boîtier du produit, susceptibles de générer un risque de choc électrique, de blessure grave, voire de décès, si des précautions appropriées ne sont pas prises.



Le symbole Attention alerte l'utilisateur sur la présence de dangers susceptibles d'infliger aux personnels des blessures mineures à modérées, d'endommager des biens ou le produit lui-même si des précautions appropriées ne sont pas prises.



Avertissement — Le non-respect des instructions suivantes est susceptible d'entraîner des blessures graves voire le décès.

- N'utilisez pas l'équipement à proximité de l'eau ; ne l'exposez pas à des éclaboussures ou des fuites. Ne placez aucun objet rempli de liquide au-dessus de l'équipement.
- N'exposez pas l'équipement à la pluie ou aux moisissures.
- Pour une utilisation en intérieur uniquement.
Si l'équipement est utilisé en extérieur, un adaptateur ou un boîtier de fixation en extérieur approuvé est obligatoire. Consultez Avigilon pour plus d'informations.
- L'installation doit être effectuée par un personnel qualifié uniquement et doit être en conformité avec tous les codes locaux.
- Ce produit doit être alimenté par une alimentation répertoriée UL et portant le marquage "Classe 2", "LPS" ou "Limited Power Source", d'une capacité de sortie nominale de 12 VCC ou

24 VCA pour 6 W min. ou, en mode PoE (Power over Ethernet), de 48 VCC pour 6 W min.

- Toute alimentation externe connectée à ce produit ne peut être connectée qu'à un autre produit Avigilon de la même gamme de modèles. Les connexions à des alimentations externes doivent être correctement isolées.
- Pour quelque raison que ce soit, ne connectez pas l'équipement directement au secteur.



Attention — Le non-respect des instructions suivantes est susceptible d'entraîner des blessures et d'endommager la caméra.

- N'effectuez aucune installation à proximité de sources de chaleur telles que radiateurs, bouches de chaleur ou poêles.
- Ne soumettez pas les câbles à des tensions, des charges ou des pincements excessifs.
- N'ouvrez pas l'équipement, ne le démontez pas. Il ne contient aucune pièce sur laquelle l'utilisateur peut intervenir.
- Pour toute intervention, contactez un personnel qualifié. Une intervention peut se révéler nécessaire lorsque l'équipement est endommagé (par exemple, par le renversement d'un liquide ou la chute d'un objet), lorsqu'il a été exposé à la pluie ou à l'humidité (présence de moisissure), lorsqu'il ne fonctionne pas normalement ou lorsqu'il a chuté.
- N'utilisez pas de détergents puissants ou abrasifs lorsque vous nettoyez le corps de l'équipement.
- Utilisez uniquement les accessoires recommandés par Avigilon.
- Utilisez uniquement un support de fixation répertorié UL adapté à la surface de montage et capable de supporter un poids minimal de 0,7 kg (1,5 lbs).
- L'utilisation de commandes, de réglages ou de procédures autres que ceux spécifiés dans le présent document peut entraîner une exposition à des radiations dangereuses.

Avis concernant la réglementation

Cet équipement est conforme à section 15 des règles FCC. Son exploitation est sujette aux deux conditions suivantes : (1) Cet équipement ne risque pas de générer d'interférences nuisibles et (2) cet équipement doit accepter toute interférence reçue, y compris celles susceptibles d'induire un fonctionnement indésirable.

Cet équipement numérique de Classe B est conforme à la norme canadienne ICES-003.

Notice FCC

Cet équipement a été testé et déclaré conforme aux limitations relatives à un appareil numérique de classe B, en vertu de la Sous-section B de la Section 15 des règles de la FCC. Ces limitations visent à assurer une protection raisonnable contre les interférences dans le cadre d'une exploitation de l'équipement dans un environnement commercial. L'exploitation de cet équipement dans une zone résidentielle est susceptible de générer des interférences nuisibles, auquel cas l'utilisateur sera tenu de prendre toute mesure nécessaire pour remédier à ces interférences.

Tout changement ou modification apporté à cet équipement non expressément approuvé par Avigilon Corporation ou des tiers autorisés par Avigilon Corporation pourrait annuler l'autorisation accordée à l'utilisateur d'utiliser cet équipement.

Informations sur la mise au rebut et le recyclage

Lorsque ce produit aura atteint la fin de sa vie utile, veuillez le mettre au rebut conformément aux directives et à la législation locales sur l'environnement.

Union européenne :



Ce symbole signifie que, conformément aux lois et aux réglementations locales, votre produit doit être mis au rebut hors déchets ménagers.

Lorsque ce produit aura atteint la fin de sa vie utile, portez-le à un point de collecte désigné par les autorités locales. Certains points de collecte acceptent gratuitement les produits. La collecte et le recyclage séparés de votre produit au moment de la mise au rebut contribuent à conserver les ressources naturelles et garantissent que le produit est recyclé de sorte à protéger la santé humaine et l'environnement.

Autres notices

Notice sur la compilation et la publication

Ce manuel a été compilé et publié en couvrant les spécifications et descriptions de produit les plus récentes. Le contenu de ce manuel et les spécifications de ce produit sont sujets à modifications sans avis préalable. Avigilon se réserve le droit d'apporter des modifications sans avis préalable aux spécifications et informations présentées dans le présent manuel. Avigilon ne saurait être tenu responsable de tout dommage (notamment accessoire) causé par le fait de se fier aux informations présentées, notamment mais sans s'y limiter, en termes d'erreurs typographiques et d'autres erreurs liées à la publication.

Notice de propriété intellectuelle

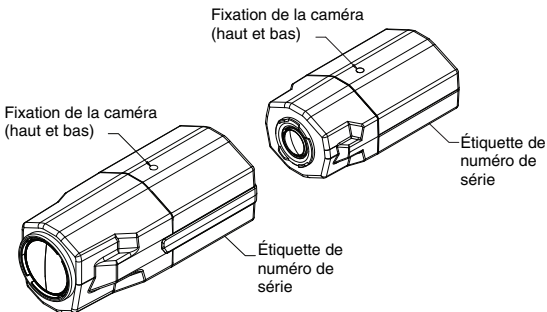
Aucune licence n'est accordée par implication ou autre action dans le cadre de toute conception industrielle, de droits de conception industriels, de brevet et droits de brevet, ou de droits de reproduction (copyrights) d'Avigilon Corporation ou de ses concédants de licence. Les marques commerciales et les marques déposées sont la propriété de leurs détenteurs respectifs.

Tables des matières

Présentation générale	1
Vue avant	1
Vue arrière	2
Installation	3
Outils et matériel requis	3
Contenu du conditionnement de la caméra	3
Étapes d'installation	3
Fixation de la caméra	3
Raccordement des câbles	4
Affectation d'une adresse IP	5
Accès au flux vidéo en direct	5
Visée et mise au point de la caméra	5
Pour plus d'informations... ..	6
Connexions câblées	7
Raccordement de l'alimentation externe	7
Connexion à des périphériques externes	8
Raccordement de microphones, haut-parleurs et moniteurs vidéo	9
Indications des LED	10
Réinitialiser les paramètres d'usine par défaut	11
Configuration de l'adresse IP par le biais de la méthode ARP/Ping	12
Spécifications	13
Garantie limitée et assistance technique ...	14

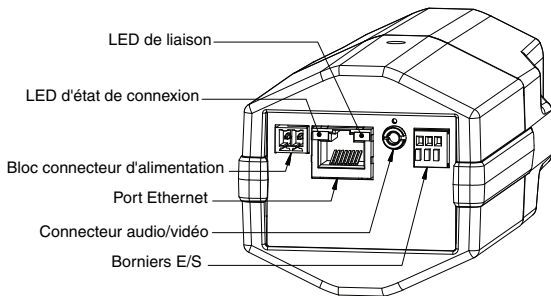
Présentation générale

Vue avant



Caractéristique	Description
Points de fixation de la caméra	Points de fixation pour la caméra. Les fixations acceptent les boulons UNC 20 1/4" répartis sur les supports de fixation.
Étiquette de numéro de série	Numéro de série du produit et étiquette de référence pièce.

Vue arrière



Caractéristique	Description
Port Ethernet	Accepte une connexion Ethernet à un réseau. La transmission des données d'images et de la communication avec le serveur s'effectue par cette connexion. Ce port reçoit également l'alimentation en cas de connexion à un réseau à fonctionnalité PoE (Power over Ethernet).
Bloc connecteur d'alimentation	Accepte un bloc de borniers avec une connexion d'alimentation en CC ou CA. L'entrée en CC ne tient pas compte de la polarité. Requis uniquement lorsque la technologie PoE (Power over Ethernet) n'est pas disponible.
Connecteur audio/vidéo	Accepte un connecteur de type mini-jack (3,5 mm). Reportez-vous à la section relative à la connexion de microphones et moniteurs pour plus d'informations.
Borniers E/S	Fournit des connexions à des périphériques d'entrée/de sortie externes. Reportez-vous à la section relative à la connexion de périphériques externes pour plus d'informations.
LED d'état de connexion	Fournit des informations sur le fonctionnement de l'équipement. Reportez-vous à la section relative aux indications des LED pour plus d'informations.
LED de liaison	Indique si une connexion est active sur le port Ethernet.

Installation

Outils et matériel requis

- Petit tournevis à lame plate de 2 mm (ou 5/64 pouce) de large ; pour le raccordement de l'alimentation si l'appareil ne dispose pas de connexion PoE (Power over Ethernet).
- Fixation de montage, trépied ou boîtier.

Contenu du conditionnement de la caméra

Assurez-vous que le conditionnement contient les éléments suivants :

- Caméra IP haute définition Avigilon
- Bloc de borniers

Étapes d'installation

Effectuez les procédures suivantes pour installer la caméra.

1. *Fixation de la caméra* à la page 3
2. *Raccordement des câbles* à la page 4
3. *Affectation d'une adresse IP* à la page 5
4. *Accès au flux vidéo en direct* à la page 5
5. *Visée et mise au point de la caméra* à la page 5

Fixation de la caméra

Des points de fixation sont fournis à la fois sur le haut et le bas du corps de la caméra. Utilisez ces points de fixation pour monter la caméra sur un support, dans un boîtier ou sur un trépied. Les points de fixation sont dotés de trous filetés UNC 20 1/4". Ils peuvent ainsi accepter des écrous de fixation à la norme photographique.

Consultez les instructions d'installation fournies avec le support, le boîtier ou le trépied pour obtenir des instructions de montage détaillées.



Attention — Cette caméra est conçue pour un usage exclusivement en intérieur.



Avertissement — Utilisez uniquement un support de fixation répertorié UL adapté à la surface de montage et capable de supporter un poids minimal de 0,7 kg (1,5 lbs).

Raccordement des câbles

Reportez-vous aux schémas de la section Présentation générale pour localiser les différents connecteurs.

Pour connecter les câbles nécessaires à un fonctionnement correct, procédez comme suit :

1. Lorsqu'un périphérique d'entrée ou de sortie externe doit être connecté à la caméra (par exemple, des contacts de porte, des relais, etc.), raccordez cet équipement aux borniers E/S de la caméra.
Pour plus d'informations, consultez la section *Connexion à des périphériques externes*.
2. Si un microphone ou un moniteur vidéo externe doit être connecté à la caméra, raccordez cet équipement au connecteur audio/vidéo de la caméra.
Pour plus d'informations, consultez la section *Raccordement de microphones et moniteurs vidéo*.
3. Connectez le port Ethernet (connecteur de type RJ45) à un réseau au moyen d'un câble réseau Ethernet. La diode, ou LED, de la liaison s'allume une fois la connexion réseau établie.
4. Connectez l'alimentation par une des méthodes suivantes :
 - Power over Ethernet (PoE), classe 3 — Si la technologie PoE est disponible, la caméra est automatiquement détectée lors de la connexion du câble réseau.
 - Alimentation externe — Connectez une source d'alimentation externe 12 VCC ou 24 VCA au bloc connecteur d'alimentation.
Pour plus d'informations, consultez la section *Raccordement de l'alimentation*.
5. Vérifiez que la LED d'état de connexion indique bien un état correct.
Pour plus d'informations, consultez la section *Indications des LED*.

Affectation d'une adresse IP

La caméra obtient automatiquement une adresse IP par défaut. Une fois connectée à un réseau, l'appareil tente de localiser un serveur DHCP et d'obtenir une adresse IP auprès de ce dernier. En cas d'échec, la méthode Zeroconf (Zero Configuration Networking) est utilisée pour sélectionner une adresse IP. Si l'adresse IP est définie au moyen de Zeroconf, son sous-réseau sera 169.254.0.0/16.

Les paramètres d'adresse IP peuvent être modifiés au moyen d'une des méthodes suivantes :

- Logiciel de l'utilitaire d'installation des caméras Avigilon.
- Interface du navigateur Web de la caméra :
`http://<adresse IP de la caméra>.`
- Méthode ARP/Ping. Pour plus d'informations, consultez la section *Configuration de l'adresse IP par le biais de la méthode ARP/Ping*.
- Application logicielle NVMS (Network Video Management Software ; par exemple, Avigilon Control Center).

REMARQUE : Le nom d'utilisateur par défaut de la caméra est *admin* et le mot de passe par défaut *admin*.

Accès au flux vidéo en direct

Le flux vidéo en direct peut être consulté au moyen d'une des méthodes suivantes :

- Logiciel de l'utilitaire d'installation des caméras Avigilon.
- Interface du navigateur Web de la caméra :
`http://<adresse IP de la caméra>.`
- Application logicielle NVMS (Network Video Management Software ; par exemple, Avigilon Control Center).

REMARQUE : Le nom d'utilisateur par défaut de la caméra est *admin* et le mot de passe par défaut *admin*.

Visée et mise au point de la caméra

Utilisez l'outil d'installation des caméras Avigilon pour régler la visée et la mise au point de la caméra. Consultez le guide de l'utilisateur du logiciel pour plus d'informations.

1. Dans la boîte de dialogue des paramètres d'affichage, utilisez les commandes de zoom pour obtenir la position de zoom souhaitée.
2. Dans la boîte de dialogue des paramètres d'affichage, utilisez le bouton **Autofocus** pour régler la mise au point de l'objectif.

Si la mise au point souhaitée n'est pas obtenue, utilisez les boutons Mise au point proche et Mise au point loin pour régler la focalisation.



Attention — N'essayez pas de mettre au point ou d'effectuer un zoom sur la caméra elle-même car vous risqueriez d'endommager l'objectif.

Pour plus d'informations...

Les guides suivants présentent des informations supplémentaires sur la configuration et l'utilisation de l'appareil :

- *Guide de l'utilitaire d'installation des caméras Avigilon*
- *Guide de l'utilisateur d'Avigilon Control Center Client*
- *Guide de l'utilisateur de l'interface Web Avigilon haute définition H.264*

Les manuels sont disponibles sur le site Web d'Avigilon :
<http://avigilon.com/support-and-downloads>.

Connexions câblées

Raccordement de l'alimentation externe

REMARQUE : N'effectuez pas cette procédure si vous utilisez la technologie POE (Power over Ethernet).

Si la technologie PoE n'est pas disponible, la caméra doit être alimentée par le biais du bloc connecteur d'alimentation amovible. Reportez-vous aux schémas présentés dans ce guide pour localiser le bloc connecteur d'alimentation.

L'appareil peut être alimenté par une source 12 VCC ou 24 VCA. Les informations relatives à la consommation électrique sont répertoriées dans les spécifications du produit.

Pour raccorder la source d'alimentation au bloc connecteur, procédez selon les étapes suivantes :

1. Retirez le bloc connecteur d'alimentation de l'appareil.
2. Retirez la gaine d'isolation des fils sur 6 mm (1/4 de pouce).
N'entaille pas ou n'endommage pas les fils.
3. Insérez les deux fils d'alimentation dans les deux borniers du bloc connecteur d'alimentation. La connexion peut s'effectuer sans tenir compte de la polarité.

Utilisez un petit tournevis à lame plate (5/64" ou 2 mm de largeur de lame) pour desserrer et serrer les borniers.

4. Réinstallez le bloc connecteur d'alimentation dans le réceptacle sur l'équipement.



Avertissement — Ce produit doit être alimenté par une unité source répertoriée UL et portant le marquage "Classe 2", "LPS" ou "Limited Power Source", d'une capacité de sortie nominale de 12 VCC ou 24 VCA pour 6 W min. ou, en mode PoE, de 48 VCC pour 6 W min.

Connexion à des périphériques externes

Les périphériques externes se raccordent à la caméra par le biais du bornier E/S. Le brochage du bornier E/S est présenté dans le tableau et sur le schéma suivants.

Tableau : Borniers E/S externes

Broche	Fonction	Description
1	Mise à la terre	Mise à la terre.
2	Entrée	Pour activer, raccordez l'entrée à la broche de mise à la terre. Pour désactiver, laissez déconnecté ou appliquez entre 3 et 15 V.
3	Sortie	Lorsqu'elle est active, la sortie est connectée en interne avec la broche de mise à la terre. Le circuit est ouvert lorsqu'il est inactif. La charge maximale est de 25 VCC, 120 mA.

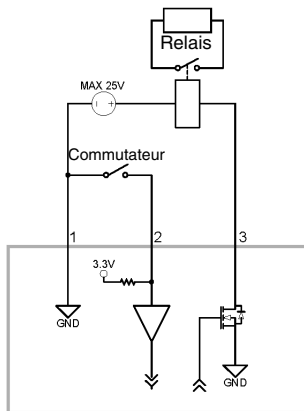


Figure : Schéma du bornier d'E/S externe et exemple d'application

Raccordement de microphones, haut-parleurs et moniteurs vidéo

La caméra peut être raccordée à un microphone, un haut-parleur et un moniteur externes par le biais du connecteur audio/vidéo. Le connecteur est de type mini-jack (3,5 mm) et son brochage est représenté sur le diagramme suivant.

REMARQUE : La caméra prend uniquement en charge l'entrée audio mono de niveau ligne et une sortie vidéo NTSC ou PAL.

Le signal de sortie vidéo est déterminé par le paramètre de contrôle de scintillement de la caméra. Lorsque ce paramètre a pour valeur 60 Hz, le signal vidéo sortant est à la norme NTSC. Lorsque ce paramètre a pour valeur 50 Hz, le signal vidéo sortant est à la norme PAL. L'utilitaire d'installation des caméras Avigilon vous permet de configurer le contrôle de scintillement de la caméra dans les paramètres Image et affichage.

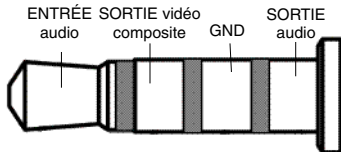


Figure : Connecteur audio/vidéo mini-jack

Indications des LED

Une fois la caméra raccordée au réseau, des diodes, ou LED, d'état de connexion affichent la progression de la connexion de la caméra au logiciel NVMS (Network Video Management Software).

Le tableau suivant décrit les indications des LED :

Tableau : Indications des LED

État de la connexion	LED d'état de connexion	Description
Obtention d'une adresse IP	Un clignotement bref à chaque seconde	Tentative d'obtention d'une adresse IP
DéTECTABLE	Deux clignotements brefs à chaque seconde	Une adresse IP a été obtenue mais elle n'est pas connectée au logiciel NVMS (Network Video Management Software).
Mise à niveau du microcode	Deux clignotements brefs et un long à chaque seconde	Mise à niveau du microcode
Connecté	Allumé	Connectée au logiciel NVMS.

Réinitialiser les paramètres d'usine par défaut

Si la caméra ne fonctionne plus comme attendu, vous pouvez opter pour la restauration de ses paramètres d'usine par défaut.

Utilisez le bouton de réinitialisation du microcode pour réinitialiser la caméra.

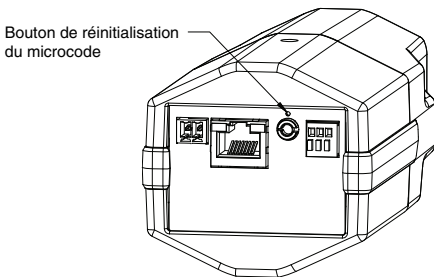


Figure : Emplacement du micro-interrupteur de réinitialisation du microcode à l'arrière de la caméra.

1. Débranchez l'alimentation de la caméra.
2. Avec un trombone redressé ou un outil pointu similaire, appuyez légèrement sur le micro-interrupteur de réinitialisation du microcode et maintenez-le enfoncé.
3. Tout en maintenant le micro-interrupteur enfoncé, mettez l'appareil sous tension. Relâchez le micro-interrupteur au bout de trois secondes.



Attention — N'appliquez pas une force excessive. Une insertion trop profonde de l'outil endommagerait l'appareil.

Configuration de l'adresse IP par le biais de la méthode ARP/Ping

Procédez selon les étapes suivantes pour configurer la caméra et utiliser une adresse IP spécifique :

1. Identifiez et copiez l'adresse MAC répertoriée sur l'étiquette de numéro de série pour référence.
2. Ouvrez une fenêtre d'invite de commande, puis saisissez les commandes suivantes :
 - a. `arp -s <Nouvelle adresse IP de la caméra> <Adresse MAC de la caméra>`
Par exemple : `arp -s 192.168.1.10 00-18-85-12-45-78`
 - b. `ping -l 123 -t <Nouvelle adresse IP de la caméra>`
Par exemple : `ping -l 123 -t 192.168.1.10`
3. Réinitialisez la caméra.
4. Fermez la fenêtre d'invite de commande lorsque le message suivant s'affiche :
`Reply from <Nouvelle adresse IP de la caméra> : ...`

Spécifications

	H3-B1	H3-B2	H3-B3
Caméra			
Entrée audio	Entrée de ligne A/V mini-jack (3,5 mm)		
Sortie vidéo	NTSC/PAL, A/V mini-jack (3,5 mm)		
Objectifs	4,7-84,6 mm, F1,6, diaphragme automatique	3-9 mm, F1,2, P-Iris	9-22 mm, F1,6, P-Iris
Réseau			
Réseau	100Base-TX		
Type de câblage	CAT5		
Connecteur	RJ-45		
API	Compatibilité ONVIF version 1.02, 2.00, Profile S (www.onvif.org)		
Sécurité	Protection par mot de passe, cryptage HTTPS, authentification Digest, authentification WS, journal d'accès des utilisateurs		
Protocoles	IPv4, HTTP, HTTPS, SOAP, DNS, NTP, RTSP, RTCP, RTP, TCP, UDP, IGMP, ICMP, DHCP, Zeroconf et ARP		
Protocoles de flux	RTP/UDP, RTP/UDP multicast, RTP/RTSP/TCP, RTP/RTSP/HTTP/TCP, RTP/RTSP/HTTPS/TCP, HTTP		
Mécanique			
Cotes Ø x H	156 mm x 69 mm x 64 mm 6,1" x 2,7" x 2,5"	115 mm x 67 mm x 53 mm 4,5" x 2,6" x 2,5"	
Poids	0,56 kg (1,2 lbs)	0,47 kg (1,0 lbs)	
Fixation de la caméra	UNC 20 1/4" (haut et bas)		
Électrique			
Consommation électrique	6 W 4,5 W pour le modèle LightCatcher		
Source d'alimentation	VCC : 12 V +/-10% VCA : 24 V +/-10% PoE : IEEE802.3af, compatible Classe 3		
Connecteur d'alimentation	Bloc terminal à 2 broches		
Environnemental			
Température d'exploitation	-10 à +50 °C (14 à 122 °F)		
Température de stockage	-10 à +70 °C (14 à 158 °F)		
Certifications			
Sûreté	UL 60950 CE	CSA60950 ROHS	EN 60950-1 WEEE
Émissions électromagnétiques	FCC, section 15, sous-section B, classe B IC ICES-003 Classe B		EN 55022 Classe B
Immunité électromagnétique	EN 55024 EN 61000-4-4 EN 61000-4-11	EN 61000-4-2 EN 61000-4-5	EN 61000-4-3 EN 61000-4-6

Garantie limitée et assistance technique

Avigilon garantit à l'acheteur consommateur d'origine que ce produit est exempt de défauts liés au matériel ou à la main-d'œuvre pour une période de 3 années à compter de la date d'achat.

La responsabilité du fabricant explicitée ci-dessous se limite au remplacement ou la réparation du produit, voire au remplacement du produit par un produit réparé, et ce à la discrétion du fabricant. Cette garantie s'annule dès lors que le produit est endommagé par accident, utilisation irraisonnée, négligence, modification ou toute autre cause non liée à des défauts relatifs au matériel ou à la main-d'œuvre. Cette garantie couvre uniquement l'acheteur consommateur d'origine du produit.

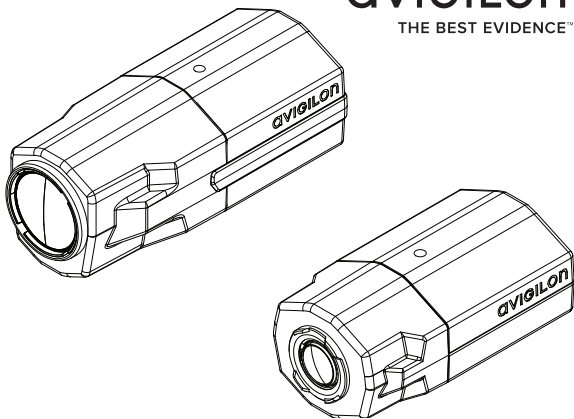
AVIGILON REJETTE TOUTE AUTRE GARANTIE, EXPRESSE OU TACITE, NOTAMMENT MAIS SANS S'Y LIMITER, TOUTE GARANTIE TACITE DE QUALITÉ MARCHANDE OU D'ADÉQUATION À UN OBJECTIF PARTICULIER, SAUF DANS LES CAS DE GARANTIE TACITE PAR FORCE DE LOI NE POUVANT ÊTRE ANNULÉE DE MANIÈRE VIABLE.

Aucun conseil, information ou représentation, de nature orale ou écrite, fourni par Avigilon, ses distributeurs, revendeurs, agents ou employés, ne saurait induire une autre garantie ou modifier la présente garantie. La présente garantie spécifie l'entière responsabilité d'Avigilon ainsi que votre recours exclusif auprès d'Avigilon pour toute défaillance de ce produit dans le cadre d'une exploitation appropriée.

En aucun cas, Avigilon ne saurait être tenu responsable de tout dommage indirect, accessoire, particulier, consécutif, exemplaire ou punitif de quelque nature que ce soit (notamment mais sans s'y limiter, la perte de profits et d'informations, notamment confidentielles, l'interruption d'activité, la blessure, la perte de confidentialité, la non-satisfaction d'un devoir notamment la bonne foi ou les mesures raisonnables, la négligence, ainsi que toute autre perte notamment d'ordre pécuniaire) induit par l'utilisation du produit ou l'incapacité à utiliser le produit, même en cas d'avertissement préalable quant à la possibilité d'un tel dommage. Sachant que certaines juridictions n'autorisent pas la décharge de responsabilité ci-dessus, cette décharge peut ne pas s'appliquer à votre cas.

La présente garantie limitée vous confère des droits légaux spécifiques. Vous pouvez également disposer d'autres droits qui varient d'une juridiction à une autre.

Le service de garantie et l'assistance technique peuvent s'obtenir en contactant le support technique Avigilon, par téléphone 1.888.281.5182 ou par courrier électronique à l'adresse support@avigilon.com.



Guía de instalación

Cámara IP H.264 de alta definición de Avigilon modelos:

1.0-H3-B1, 1.0-H3-B2, 1.0-H3-B3, 1.3L-H3-B2, 1.3L-H3-B3, 2.0-H3-B1, 2.0-H3-B2, 2.0-H3-B3, 3.0W-H3-B2, 3.0W-H3-B3, 5.0-H3-B2 y 5.0-H3-B3

Información importante sobre la seguridad

Este manual proporciona información sobre la instalación y funcionamiento de la cámara domo, así como precauciones a tener en cuenta durante su uso. Una instalación incorrecta podría provocar un fallo inesperado. Antes de instalar este equipo, lea atentamente este manual. Proporcione este manual al propietario del equipo para usos futuros.



El símbolo de advertencia indica la presencia de un voltaje peligroso dentro y fuera de la carcasa del producto que puede constituir un riesgo de descarga eléctrica, lesiones graves o la muerte de personas si no se siguen las precauciones adecuadas.



El símbolo de precaución pone en alerta al usuario ante la presencia de peligros que pueden provocar lesiones menores o moderadas a personas, daños a la propiedad o daños al producto si no se siguen las precauciones adecuadas.



Advertencia: Si no se tienen en cuenta las siguientes instrucciones, pueden producirse lesiones graves o incluso la muerte.

- No utilice el dispositivo cerca del agua y evite las fugas de líquidos o salpicaduras. No coloque objetos que contengan líquidos encima del dispositivo.
- No exponga el dispositivo a la lluvia ni la humedad.
- Solo para uso en interiores.
Si se utiliza en exteriores, se requiere una carcasa o un adaptador de montaje para exteriores aprobado. Para obtener más información, consulte a Avigilon.
- La instalación solo debe efectuarla personal cualificado y debe cumplir todas las normas locales.
- Este producto se ha diseñado para ser suministrado por una unidad de alimentación con aprobación UL con la etiqueta “Clase 2”, “LPS” o “Fuente de alimentación limitada” con una salida nominal de 12 V CC o 24 V CA,

6 W mín. o Power over Ethernet (PoE) nominal de 48 V CC, 6 W mín.

- Cualquier fuente de alimentación externa conectada a este producto solo debe conectarse a otro producto Avigilon de la misma serie del modelo. Las conexiones de alimentación externas deben aislarse como es debido.
- Bajo ningún concepto, nunca conecte el dispositivo directamente a la corriente eléctrica.



Precaución: Si no se tienen en cuenta las siguientes instrucciones, pueden producirse lesiones o daños en la cámara.

-
- No instale el dispositivo cerca de fuentes de calor como radiadores, rejillas de aire caliente, estufas, etc.
 - No someta los cables a demasiada tensión, cargas pesadas o pinzamientos.
 - No abra ni desmonte el dispositivo. No hay ninguna pieza que pueda reparar el usuario.
 - Derive todas las reparaciones al personal cualificado. Las reparaciones deben llevarse a cabo cuando el dispositivo ha resultado dañado (como por ejemplo, debido a un líquido que se ha derramado u objetos que han caído), se ha expuesto a la lluvia o humedad, no funciona correctamente o se ha caído.
 - No utilice detergentes fuertes o abrasivos para limpiar el cuerpo del dispositivo.
 - Utilice únicamente accesorios recomendados por Avigilon.
 - Utilice únicamente soportes de montaje con aprobación UL adecuados para la superficie de montaje para poder admitir un mínimo de 0,7 kg, de peso.
 - El uso de controles o ajustes o la ejecución de procedimientos diferentes a los especificados en este documento puede provocar una exposición a la radiación peligrosa.

Avisos Regulatorios

Este dispositivo cumple con la Sección 15 de la Reglamentación FCC. El funcionamiento está sujeto a las dos condiciones siguientes: (1) Este dispositivo no ha de causar interferencias indeseadas, y (2) este dispositivo debe aceptar cualquier interferencia recibida, incluyendo interferencias que puedan causar un funcionamiento no deseado.

Este aparato digital de Clase B cumple con la normativa canadiense ICES-003.

Aviso de la FCC

Este equipo ha sido probado y cumple con los límites establecidos para dispositivos informáticos de Clase B, con arreglo a la Subsección B de la Sección 15 de la Reglamentación FCC, diseñados para proporcionar una protección razonable contra estas interferencias cuando se utiliza en un entorno comercial. La utilización de este equipo en una zona residencial probablemente ocasionará interferencias, en cuyo caso el usuario deberá tomar las medidas oportunas para corregir la interferencia a su propio coste.

Los cambios o modificaciones efectuados en este equipo no aprobados expresamente por Avigilon Corporation o las partes autorizadas por Avigilon Corporation podrían anular la capacidad del usuario para utilizar el equipo.

Información sobre la eliminación de residuos y el reciclaje

Cuando este producto haya llegado al final de su vida útil, deshágase de él de acuerdo con la legislación y normativa locales en materia de medio ambiente.

Comunidad Europea:



Este símbolo significa que según la legislación y normativa locales su producto debe eliminarse por separado de los residuos domésticos. Cuando el producto llegue al final de su vida útil, llévalo a un punto de recogida designado por las autoridades locales. Algunos puntos de recogida aceptan productos de forma gratuita. La recogida y reciclaje por separado del producto en el momento de su eliminación ayudará a conservar los recursos naturales y garantizar que se recicla respetando la salud y el medio ambiente.

Otros avisos

Aviso de compilación y publicación

Este manual se ha compilado y publicado contemplando las descripciones y especificaciones del producto más recientes. El contenido de este manual y las especificaciones de este producto están sujetos a cambios sin previo aviso. Avigilon se reserva el derecho de efectuar cambios sin previo aviso en las especificaciones y materiales contenidos aquí y no se hará responsable de ningún daño (incluidos los resultantes) causados por depender de los materiales presentados, incluidos a título enunciativo pero no limitativo los errores tipográficos y otros errores relativos a la publicación.

Aviso sobre la propiedad intelectual

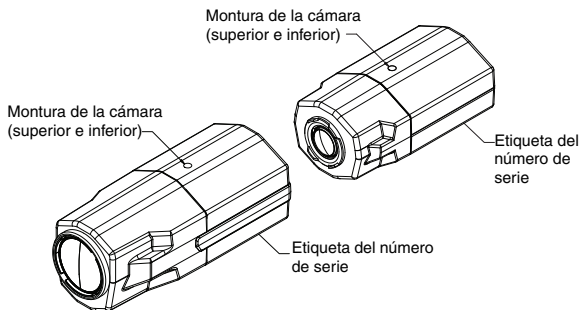
No se concederá ninguna licencia por implicación o cualquier otra circunstancia bajo ningún diseño industrial, derechos de diseño industrial, patente, derechos de patente o copyrights de Avigilon Corporation o sus licenciantes. Todas las marcas comerciales y marcas comerciales registradas son propiedad de sus respectivos propietarios.

Tabla de Contenidos

Visión general	1
Vista frontal	1
Vista trasera	2
Instalación	3
Herramientas y materiales necesarios	3
Contenido del paquete de la cámara	3
Pasos para la instalación	3
Montaje de la cámara	3
Conexión de cables	4
Asignación de una dirección IP	5
Acceso al flujo de vídeo en tiempo real	5
Orientación y enfoque de la cámara	6
Para obtener más información	6
Conexiones de cable	7
Conexión de la alimentación externa	7
Conexión de dispositivos externos	8
Conexión a micrófonos, altavoces y monitores de vídeo	9
Indicadores LED	10
Restablecimiento de los valores predeterminados de fábrica	11
Configuración de la dirección IP a través del método ARP/Ping	12
Especificaciones	13
Garantía limitada y servicio de asistencia técnica	14

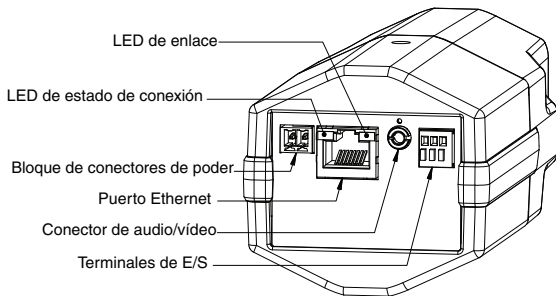
Visión general

Vista frontal



Función	Descripción
Monturas de la cámara	Puntos de montaje para la cámara. Las monturas aceptan pernos UNC20 de 1/4" que se suelen encontrar en los soportes de montaje.
Etiqueta del número de serie	Etiqueta con el número de serie y la referencia del producto.

Vista trasera



Función	Descripción
Puerto Ethernet	Acepta una conexión Ethernet a una red. La transmisión de datos de imágenes y la comunicación del servidor ocurre durante esta conexión. También recibe alimentación cuando se conecta a una red que proporciona Power over Ethernet.
Bloque de conectores de alimentación	Acepta un bloque de terminales con una conexión de alimentación CA o CC. La entrada CC acepta cualquier polaridad. Solo es necesario cuando Power over Ethernet no está disponible.
Conector de audio/vídeo	Acepta un miniconector (3,5 mm). Para obtener más información, consulte la sección sobre la conexión de micrófonos y monitores.
Terminales de E/S	Proporciona conexiones a dispositivos de entrada/salida externa. Para obtener más información, consulte la sección sobre la conexión de dispositivos externos.
LED de estado de conexión	Proporciona información sobre el funcionamiento del dispositivo. Para obtener más información, consulte la sección sobre los indicadores LED.
LED de enlazado	Indica si hay una conexión activa en el puerto Ethernet.

Instalación

Herramientas y materiales necesarios

- Destornillador con ranura pequeña (de 2 mm de ancho) para conectar el cable de alimentación cuando no se utilice Power over Ethernet.
- Soporte de montaje, carcasa o trípode.

Contenido del paquete de la cámara

Asegúrese de que el paquete contiene lo siguiente:

- Cámara IP de alta definición de Avigilon
- Bloque de terminales

Pasos para la instalación

Complete los procedimientos siguientes para instalar la cámara.

1. *Montaje de la cámara* , página 3
2. *Conexión de cables* , página 4
3. *Asignación de una dirección IP* , página 5
4. *Acceso al flujo de vídeo en tiempo real* , página 5
5. *Orientación y enfoque de la cámara* , página 6

Montaje de la cámara

Los puntos de montaje de la cámara se encuentran en la parte superior e inferior del cuerpo de la cámara. Utilícelos para montar la cámara en un soporte, una carcasa o un trípode. Los puntos de montaje tienen orificios roscados UNC-20 de ¼" para insertar pernos de montaje fotográfico estándares.

Para obtener instrucciones de montaje detalladas, consulte las instrucciones de instalación proporcionadas con el soporte, carcasa o trípode.



Precaución: Esta cámara está pensada solo para uso en interiores.



Advertencia: Utilice únicamente soportes de montaje con aprobación UL adecuados para la superficie de montaje para poder admitir un mínimo de 0,7 kg, de peso.

Conexión de cables

Consulte los diagramas en la sección Visión general para localizar los distintos conectores.

Para conectar los cables requeridos para una operación correcta, complete lo siguiente:

1. Si hay dispositivos de entrada o salida externos que necesiten conectarse a la cámara (por ejemplo: contactos de puerta, relés, etc.), conecte los dispositivos a los terminales de E/S de la cámara.
Para obtener más información, consulte *Conexión de dispositivos externos*.
2. Si es preciso conectar un micrófono o monitor de vídeo externo a la cámara, conecte los dispositivos a los conectores de audio/vídeo de la cámara.
Para obtener más información, consulte *Conexión de micrófonos y monitores de vídeo*.
3. Conecte el puerto Ethernet (conector RJ45) a una red con un cable de red Ethernet. El LED de enlazado se encenderá cuando se haya establecido un enlace de red.
4. Conecte la alimentación usando uno de los métodos siguientes:
 - Power over Ethernet (PoE) Clase 3: si PoE está disponible, la cámara se detecta automáticamente cuando se conecta el cable de red.
 - Alimentación externa: conecte una fuente de alimentación externa de 12 V CC o 24 V CA al bloque de conectores de alimentación.

Para obtener más información, consulte *Conexión de la alimentación*.

5. Compruebe que el LED de estado de la conexión indica el estado correcto.

Para obtener más información, consulte *Indicadores LED*.

Asignación de una dirección IP

De manera predeterminada, la cámara obtiene automáticamente una dirección IP. Una vez conectada a una red, intentará localizar y obtener una dirección IP desde un servidor DHCP. Si esto falla, se utiliza Zero Configuration Networking (Zeroconf) para elegir una dirección IP. Si la dirección IP se establece mediante Zeroconf, la dirección IP se encontrará en la subred 169.254.0.0/16.

Los ajustes de dirección IP se pueden cambiar con uno de los métodos siguientes:

- La aplicación de software Avigilon Camera Installation Tool.
- Interfaz del navegador web de la cámara:
`http://<dirección IP de la cámara>/`
- Método ARP/Ping. Para obtener más información, consulte *Configuración de la dirección IP a través del método ARP/Ping*.
- Aplicación de software de gestión de vídeo en red (por ejemplo, Avigilon Control Center).

NOTA: El nombre de usuario predeterminado de la cámara es *admin* y la contraseña predeterminada es *admin*.

Acceso al flujo de vídeo en tiempo real

El flujo de vídeo en tiempo real se puede visualizar mediante uno de los métodos siguientes:

- La aplicación de software Avigilon Camera Installation Tool.
- Interfaz del navegador web de la cámara:
`http://<dirección IP de la cámara>/`

- Aplicación de software de gestión de vídeo en red (por ejemplo, Avigilon Control Center).

NOTA: El nombre de usuario predeterminado de la cámara es *admin* y la contraseña predeterminada es *admin*.

Orientación y enfoque de la cámara

Utilice la herramienta Avigilon para Instalación de Cámara para orientar y enfocar la cámara. Consulte la Guía de usuario de software para obtener más información.

1. En el cuadro de diálogo de configuración Imagen y visualización, utilice los controles de zoom para conseguir la posición del zoom deseada para la cámara.
2. En el cuadro de diálogo de configuración Imagen y visualización, utilice el botón Enfoque automático para enfocar la lente.

Si no se ha conseguido la posición del enfoque deseado, utilice los botones de acercar y alejar enfoque para ajustarlo.



Precaución: No intente ajustar el enfoque y el zoom en la misma cámara o el objetivo de la cámara se puede dañar.

Para obtener más información

En las guías siguientes está disponible la información adicional sobre la configuración y el uso del dispositivo:

- *Guía del usuario de Herramienta Avigilon para Instalar la Cámara*
- *Guía del usuario de Centro Avigilon de Control de Clientes*
- *Guía del usuario de la interfaz web de la cámara IP H.264 HD de Avigilon*

Los manuales están disponibles en el sitio web de Avigilon:

<http://avigilon.com/support-and-downloads/>.

Conexiones de cable

Conexión de la alimentación externa

NOTA: No lleve a cabo este procedimiento si se utiliza Power over Ethernet (POE).

Si PoE no está disponible, la cámara debe alimentarse a través del bloque de conector de alimentación extraíble. Consulte los diagramas de esta guía para ubicar el bloque de conector de alimentación.

El dispositivo puede alimentarse con una CC de 12 V o una CA de 24 V. La información sobre el consumo de energía se incluye en las especificaciones del producto.

Para alimentar el bloque de conector de energía, lleve cabo los pasos siguientes:

1. Retire el bloque de conector de energía del dispositivo.
2. Retire el aislamiento de 6 mm de los cables de alimentación. No dañe los cables.
3. Inserte los dos cables de alimentación en los dos terminales del bloque de conector de alimentación. La conexión puede efectuarse con cualquier polaridad. Utilice un destornillador con ranura pequeña (de 2 mm de ancho) para aflojar y apretar los terminales.
4. Vuelva a colocar el bloque de conector de alimentación en el receptáculo del dispositivo.



Advertencia: Este producto se ha diseñado para ser suministrado por una unidad de alimentación con aprobación UL con la etiqueta “Clase 2”, “LPS” o “Fuente de alimentación limitada” con una velocidad de salida de 12 V CC o 24 V CA, 6 W mín. o una velocidad PoE de 48 V CC, 6 W mín.

Conexión a micrófonos, altavoces y monitores de vídeo

La cámara puede conectarse a un micrófono, altavoz y monitor de vídeo externo a través del conector de audio/vídeo. Está provisto de un miniconector (3,5 mm) y su conector del terminal se muestra en el diagrama siguiente.

NOTA: La cámara solo admite entrada de audio mono con nivel de línea y una salida de vídeo NTSC o PAL.

La señal de salida de vídeo está determinada por el ajuste de control del parpadeo de la cámara. Cuando el control del parpadeo de la cámara se establece en 60 Hz, la señal de salida de vídeo es NTSC. Si el control del parpadeo de la cámara se establece en 50 Hz, la señal de salida de vídeo es PAL. Utilice la herramienta Avigilon Camera Installation Tool para configurar el control de parpadeo en la configuración Imagen y visualización.

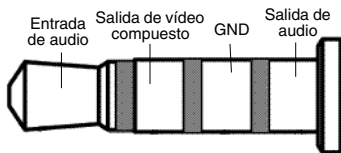


Figura: Miniconector de audio/vídeo

Indicadores LED

Cuando la cámara está conectada a la red, los LED de estado de conexión mostrarán el progreso de la conexión de la cámara al software de gestión de vídeo de red.

En la tabla siguiente se describe lo que indican los LED:

Tabla:Indicadores LED

Estado de conexión	LED de estado de conexión	Descripción
Obteniendo una dirección IP	Un parpadeo breve cada segundo	Intentando obtener una dirección IP.
Detectable	Dos parpadeos breves cada segundo	Se ha obtenido una dirección IP pero no está conectado al software Network Video Management.
Actualizando el firmware	Dos parpadeos breves y un parpadeo largo cada segundo	Actualizando el firmware.
Conectado	Activo	Conexión al software Network Video Management.

Restablecimiento de los valores predeterminados de fábrica

Si la cámara ya no funciona de la manera esperada, puede restaurarla a sus valores predeterminados de fábrica.

Utilice el botón de reversión de firmware para restablecer la cámara.

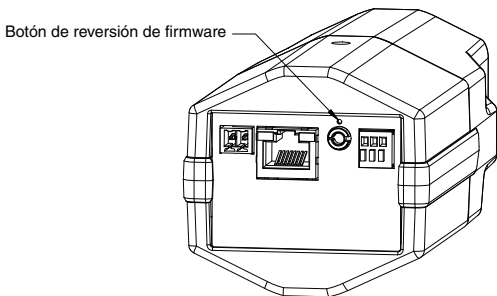


Figura: Microconmutador de reversión de firmware en la parte posterior de la cámara.

1. Desconecte la fuente de energía de la cámara.
2. Con la ayuda de un clip enderezado o una herramienta similar, presione ligeramente y mantenga presionado el microconmutador de reversión del firmware.
3. Mientras sigue presionando el microconmutador, encienda el dispositivo. Suelte el microconmutador al cabo de tres segundos.



Precaución: No apriete demasiado. Si introduce demasiado la herramienta, el dispositivo podría dañarse.

Configuración de la dirección IP a través del método ARP/Ping

Complete los pasos siguientes para configurar la cámara para que utilice una dirección IP específica:

1. Localice y copie la dirección MAC (MAC) mostrada en la etiqueta del número de serie como referencia.
2. Abra la ventana Símbolo del sistema e introduzca los comandos siguientes:
 - a. `arp -s <Nueva dirección IP de la cámara> <Dirección MAC de la cámara>`
Por ejemplo: `arp -s 192.168.1.10 00-18-85-12-45-78`
 - b. `ping -l 123 -t <Nueva dirección IP de la cámara>`
Por ejemplo: `ping -l 123 -t 192.168.1.10`
3. Reinicie la cámara.
4. Cierre la ventana Símbolo del sistema cuando vea el mensaje siguiente:
`Reply from <Nueva dirección IP de la cámara>: ...`

Especificaciones

	H3-B1	H3-B2	H3-B3
Cámara			
Entrada de audio	Entrada de línea, miniconector A/V (3,5 mm)		
Salida de vídeo	NTSC/PAL, miniconector A/V (3,5 mm)		
Objetivo	4,7-84,6mm, F1,6, diafragma automático	3-9 mm, F1.2, iris de tipo P	9-22mm, F1.6, iris de tipo P
Red			
Red	100Base-TX		
Tipo de cableado	CAT5		
Conector	RJ-45		
API	Compatible con ONVIF versión 1.02, 2.00, perfil S (www.onvif.org)		
Seguridad	Protección por contraseña, cifrado HTTPS, autenticación implícita, autenticación WS, registro de acceso de usuario		
Protocolos	IPv4, HTTP, HTTPS, SOAP, DNS, NTP, RTSP, RTCP, RTP, TCP, UDP, IGMP, ICMP, DHCP, Zeroconf, ARP		
Protocolos de transferencia	RTP/UDP, multidifusión RTP/UDP, RTP/RTSP/TCP, RTP/RTSP/HTTP/TCP, RTP/RTSP/HTTPS/TCP, HTTP		
Mecánicas			
Dimensiones ØxAI	156 mm x 69 mm x 64 mm	115 mm x 67 mm x 53 mm	
Peso	0.56 kg	0.47 kg	
Montura de la cámara	1/4" UNC-20 (superior e inferior)		
Eléctricas			
Consumo de energía	6 W 4,5 W para el modelo con tecnología LightCatcher		
Fuente de alimentación	V CC: 12 V +/-10% V CA: 24 V +/-10% PoE: Conforme con IEEE802.3af Clase 3		
Conector de alimentación	Bloque de terminales de 2 pines		
Medioambiental			
Temperatura de funcionamiento	-10 °C a +50 °C		
Temperatura de almacenamiento	-10 °C a +70 °C		
Certificaciones			
Seguridad	UL 60950 CE	CSA 60950 ROHS	EN 60950-1 WEEE
Emissiones electromagnéticas	FCC Sección 15 Subsección B Clase B IC ICES-003 Clase B EN 55022 Clase B		
Inmunidad electromagnética	EN 55024 EN 61000-4-4 EN 61000-4-11	EN 61000-4-2 EN 61000-4-5	EN 61000-4-3 EN 61000-4-6

Garantía limitada y servicio de asistencia técnica

Avigilon garantiza al comprador-consumidor de origen que este producto no presentará ningún defecto en el material ni la construcción durante un período de 3 años a partir de la fecha de envío.

La responsabilidad del fabricante se limita a la sustitución del producto, reparación del producto o sustitución del producto por un producto reparado a criterio del fabricante. Esta garantía no es válida si el producto ha sido dañado accidentalmente, por un uso no razonable, una negligencia, manipulación u otras causas que no se derivan de los defectos de material o construcción. Esta garantía solo se amplía al comprador-consumidor de origen del producto.

AVIGILON RECHAZA TODAS LAS DEMÁS GARANTÍAS EXPRESAS O IMPLÍCITAS INCLUIDAS, SIN CARÁCTER LIMITATIVO, LAS GARANTÍAS IMPLÍCITAS DE COMERCIABILIDAD O ADECUACIÓN PARA UN FIN PARTICULAR, EXCEPTO EN EL CASO QUE LAS GARANTÍAS IMPLÍCITAS CON ARREGLO A LAS LEYES NO PUEDAN SUSPENDERSE DE FORMA VÁLIDA.

Ninguna información, consejo o representación oral o escrita proporcionada por Avigilon, sus distribuidores, agentes o empleados podrá crear otra garantía o modificar esta garantía. Esta garantía constituye la única responsabilidad de Avigilon y el único recurso del cliente ante Avigilon en cuanto a los fallos de funcionamiento de este producto.

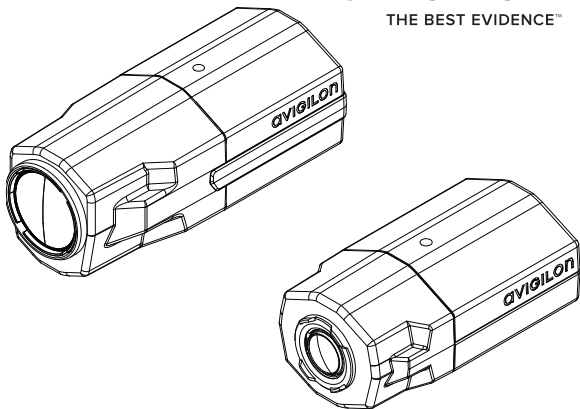
En ningún caso será responsable Avigilon de ningún daño indirecto, incidental, especial, resultante, ejemplar o punitivo de cualquier naturaleza (incluidos a título enunciativo pero no limitativo, los daños derivados de la pérdida de beneficios, pérdida de información empresarial; interrupción de la actividad comercial; daños personales; invasión de la privacidad; fallo en el cumplimiento de las obligaciones como la obligación de buena fe o cuidado razonable; negligencia, y cualquier otro tipo de pérdida pecuniaria) derivado del uso o de la incapacidad para usar el producto, aunque haya sido advertido de la posibilidad de que se produzcan tales daños. Algunas jurisdicciones no permiten la limitación de responsabilidad mencionada arriba, por lo que dicha limitación podría no ser aplicable en su caso.

Esta Garantía limitada le ofrece derechos legales específicos y también puede tener otros derechos que variarán de jurisdicción a jurisdicción.

El servicio de garantía y de asistencia técnica están a su disposición en el Servicio de asistencia técnica de Avigilon en el teléfono 1.888.281.5182 o en la dirección de correo electrónico support@Avigilon.com.

AVIGILON

THE BEST EVIDENCE™



Guida d'installazione

Modelli di telecamere Avigilon IP in H264 ad alta definizione:

1.0-H3-B1, 1.0-H3-B2, 1.0-H3-B3, 1.3L-H3-B2, 1.3L-H3-B3, 2.0-H3-B1, 2.0-H3-B2, 2.0-H3-B3, 3.0W-H3-B2, 3.0W-H3-B3, 5.0-H3-B2 e 5.0-H3-B3

Informazioni importanti sulla sicurezza

Il presente manuale fornisce informazioni relative all'installazione e al funzionamento, nonché precauzioni d'uso della telecamera. Un'installazione non corretta potrebbe causare un guasto inaspettato. Prima di installare questa apparecchiatura leggere attentamente il presente manuale. Fornire il presente manuale al proprietario dell'apparecchiatura per usi futuri.



I simboli di avviso indicano la presenza di voltaggio pericoloso all'interno o all'esterno dell'involucro del prodotto che potrebbe costituire un rischio di scossa elettrica, gravi danni o decesso di persone, se le dovute precauzioni non saranno prese.



I simboli di attenzione mettono in guardia l'utente dalla presenza di rischi che potrebbero causare danni minori o moderati alle persone, alla proprietà e al prodotto stesso, se le dovute precauzioni non saranno prese.



Avviso — Il mancato rispetto delle seguenti istruzioni potrebbe causare gravi danni o la morte.

- Non usare vicino all'acqua o esporre a gocce o schizzi. Non appoggiare oggetti contenenti liquidi sopra il dispositivo.
- Non esporre alla pioggia o all'umidità.
- Solo per uso in interno.
Se utilizzato all'esterno, è necessario un adattatore approvato per installazioni in esterno o relativa copertura. Per maggiori informazioni consultare Avigilon.
- L'installazione deve essere eseguita esclusivamente da personale qualificato ed essere conforme a tutte le norme vigenti.
- Il presente prodotto è stato progettato per essere alimentato da unità di alimentazione marchate "Class 2" o "LPS" o "Limit Power Source" UL-elencati ad

alimentazione in uscita di 12 VDC o 24 VAC, 6 W min.
oppure PoE a 48 VDC, 6 W min.

- Qualsiasi fonte esterna di alimentazione collegata al presente dispositivo può essere collegata solo ad altro prodotto Avigilon della stessa serie di modelli. I collegamenti per alimentazione esterna devono essere adeguatamente isolati.
- Non collegare direttamente alla rete di alimentazione per nessuna ragione.



Attenzione — Il mancato rispetto delle seguenti istruzioni potrebbe provocare danni alla telecamera.

-
- Non installare vicino a fonti di calore come termosifoni, bocchette di diffusione di aria calda o altre fonti di calore.
 - Non sottoporre i cavi ad eccessiva tensione, carico o compressione.
 - Non aprire o smontare il dispositivo. Non vi sono parti soggette a manutenzione da parte dell'utente.
 - Per tutte le procedure di assistenza rivolgersi a personale qualificato.
L'assistenza può essere necessaria in caso di danneggiamento del dispositivo (per fuoriuscita di liquidi o caduta di oggetti), esposizione alla pioggia o all'umidità, malfunzionamento o caduta dello stesso.
 - Non usare detergenti forti o abrasivi per pulire il corpo del dispositivo.
 - Utilizzare esclusivamente accessori raccomandati da Avigilon.
 - Utilizzare esclusivamente staffe di montaggio UL-elencate adatte alla superficie d'installazione e in grado di sostenere un peso minimo di 0,7 kg (1.5 lb).
 - L'esecuzione di controlli, modifiche e procedure diverse da quelle specificate nel presente documento potrebbero causare rischi di esposizione alle radiazioni.

Avvisi regolamentari

Questo dispositivo è conforme alla parte 15 delle norme FCC. L'uso è soggetto alle due seguenti condizioni: (1) il dispositivo non può causare interferenze dannose e (2) il dispositivo deve sopportare le eventuali interferenze ricevute, incluse quelle che possono causare un funzionamento indesiderato.

Questa apparecchiatura digitale di classe B è conforme allo standard canadese ICES-003.

Avviso FCC

La presente apparecchiatura è stata testata e certificata conformemente ai limiti previsti per i dispositivi informatici di classe B, secondo la sottoparte B della Parte 15 delle norme FCC, pensati per fornire una protezione appropriata contro tali interferenze quando l'apparecchiatura è in funzione in un ambiente commerciale. Il funzionamento della presente apparecchiatura in un'area residenziale potrebbe causare interferenze; in tal caso all'utente sarà richiesto a sue spese di prendere qualsiasi provvedimento per correggere tale interferenza.

Cambiamenti o modifiche apportati alla presente apparecchiatura non espressamente approvati da Avigilon Corporation o componenti dell'Avigilon Corporation potrebbe invalidare l'autorizzazione dell'utente all'utilizzo della presente apparecchiatura.

Informazioni sullo smaltimento e il riciclaggio

Al termine del ciclo di vita del presente prodotto, smaltire lo stesso secondo la normativa e le linee guida locali sullo smaltimento dei rifiuti.

Unione Europea:



Questo simbolo significa che secondo le norme e i regolamenti locali il prodotto dovrebbe essere smaltito separatamente dai rifiuti domestici. Al termine del ciclo di vita di questo prodotto, recarsi in un punto di raccolta rifiuti predisposto dalle autorità locali. Alcuni punti di raccolta rifiuti accettano prodotti gratuitamente. La raccolta separata e il riciclaggio di questo prodotto al momento dello smaltimento aiuterà a preservare le risorse naturali e ad assicurare che sia riciclato secondo modalità pensate per proteggere la vita umana e l'ambiente.

Altri avvisi

Avviso di compilazione e pubblicazione

Il presente manuale è stato compilato e pubblicato includendo le descrizioni e le specifiche degli ultimissimi prodotti. Il contenuto di questo manuale e le specifiche di questo prodotto sono soggetti a modifiche senza preavviso. Avigilon si riserva il diritto di effettuare modifiche senza preavviso relative a specifiche e materiali ivi contenuti e non sarà responsabile di alcun danno (inclusi quelli derivanti) causato dall'affidamento sul materiale presentato, inclusi (ma senza limitazione) gli errori tipografici e altri tipi di errori relativi alla pubblicazione.

Avviso sulla proprietà intellettuale

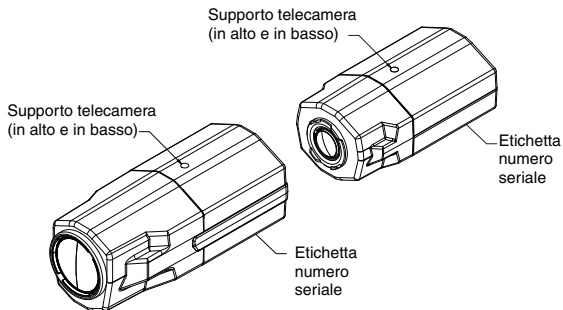
Nessuna licenza viene concessa per implicazione o altrimenti relativamente a nessun progetto industriale e relativi diritti, brevetto e relativi diritti o copyright di proprietà di Avigilon Corporation o dei suoi concessionari. I marchi di fabbrica e i marchi registrati sono di proprietà dei rispettivi proprietari.

Indice dei Contenuti

Presentazione	1
Prospettiva anteriore	1
Prospettiva posteriore	2
Installazione	3
Strumenti e materiali necessari	3
Contenuto confezione telecamera	3
Passaggi per l'installazione	3
Montaggio della telecamera	3
Connessione cavi	4
Assegnazione Indirizzo IP	5
Accesso a Live Video Stream	5
Puntamento e messa a fuoco della telecamera	6
Per maggiori informazioni	6
Connessioni cavi	7
Connessione alimentazione esterna	7
Connessione di dispositivi esterni	8
Connessione di microfoni, altoparlanti e monitor ...	9
Indicatori LED	10
Ripristino delle impostazioni predefinite di fabbrica	11
Impostazione dell'indirizzo IP attraverso il metodo ARP/Ping	12
Specifiche	13
Garanzia limitata e Assistenza tecnica	14

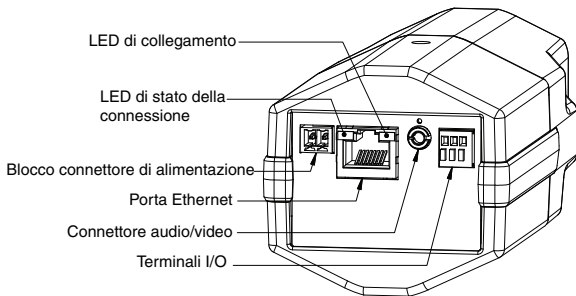
Presentazione

Prospettiva anteriore



Funzione	Descrizione
Supporti telecamera	Punti di installazione per la telecamera. I supporti montano bulloni 20-UNC da 1/4 di pollice che si trovano comunemente su staffe di montaggio.
Etichetta numero seriale	Numero seriale prodotto ed etichetta numero ricambio.

Prospettiva posteriore



Funzione	Descrizione
Porta Ethernet	Supporta una connessione Ethernet ad una rete. La comunicazione con il server e la trasmissione dei dati immagine avviene attraverso questa connessione. Riceve inoltre alimentazione quando connessa ad una rete che fornisce Power over Ethernet.
Blocco connettore di alimentazione	Abilita un blocco terminazione con connessione d'alimentazione AC o DC. L'ingresso DC può essere di entrambe le polarità. Necessario solo in mancanza di alimentazione Power over Ethernet.
Connettore audio/video	Supporta connettore mini-jack (3,5 mm). Per maggiori informazioni vedere la sezione sulla connessione di microfoni e monitor.
Terminali I/O	Fornisce connessioni a dispositivi esterni di entrata/uscita. Per maggiori informazioni vedere la sezione sulla connessione di dispositivi esterni.
LED di stato della connessione	Fornisce informazioni relative al funzionamento del dispositivo. Per maggiori informazioni vedere la sezione sugli indicatori LED esterni.
LED di collegamento	Indica la presenza di una connessione attiva sulla porta Ethernet.

Installazione

Strumenti e materiali necessari

- Piccolo cacciavite a taglio da 2 mm — per il collegamento all'alimentazione se non si utilizza Power over Ethernet.
- Staffe di montaggio, copertura e treppiedi.

Contenuto confezione telecamera

Assicurarsi che la confezione contenga i seguenti articoli:

- Telecamera Avigilon IP ad Alta Definizione
- Blocco terminazione

Passaggi per l'installazione

Completare le seguenti procedure per installare la telecamera.

1. *Montaggio della telecamera* a pagina 3
2. *Connessione cavi* a pagina 4
3. *Assegnazione Indirizzo IP* a pagina 5
4. *Accesso a Live Video Stream* a pagina 5
5. *Puntamento e messa a fuoco della telecamera* a pagina 6

Montaggio della telecamera

I punti di installazione della telecamera sono forniti sulla parte in alto e su quella in basso del corpo della telecamera. Utilizzare questi punti di installazione per montare la telecamera su una staffa, su una recinzione o su un treppiedi. I punti di installazione hanno fori filettati 20-UNC da 1/4 di pollice che permettono loro di accogliere bulloni di montaggio standard.

Per istruzioni di montaggio dettagliate consultare le istruzioni fornite per l'installazione su staffa, recinzione o treppiedi.



Attenzione — Questa telecamera è stata realizzata esclusivamente per un uso all'interno



Avviso — Utilizzare esclusivamente staffe di montaggio UL-elencate adatte alla superficie d'installazione e in grado di sostenere un peso minimo di 0,7 kg (1.5 lb).

Connessione cavi

Fare riferimento ai diagrammi nella sezione Presentazione per localizzare i differenti connettori.

Per la connessione dei cavi necessaria per un adeguato funzionamento, completare le seguenti operazioni:

1. Se ci sono dispositivi esterni di entrata ed uscita che necessitano di essere connessi alla telecamera (ad esempio: contatti porte, relè ecc.), connettere i dispositivi ai terminali I/O della telecamera.
Per maggiori informazioni, vedere *Connessione di dispositivi esterni*.
2. Se un microfono o un monitor esterno deve essere connesso alla telecamera, connettere i dispositivi al connettore audio/video della telecamera.
Per maggiori informazioni, vedere *Connessione di microfoni e monitor*.
3. Connettere la porta Ethernet (connettore RJ45) ad una rete utilizzando il cavo di rete Ethernet. Il LED di collegamento si accenderà una volta che la connessione alla rete sarà stabilita.
4. Connettere l'alimentazione utilizzando uno dei seguenti metodi:
 - Power over Ethernet (PoE) Classe 3 — Se l'alimentazione PoE è disponibile, la telecamera verrà automaticamente rilevata quando il cavo di connessione sarà connesso.
 - Alimentazione esterna — Connettere una fonte di alimentazione esterna a 12 VDC o 24 VAC al blocco del connettore di alimentazione.
Per maggiori informazioni, vedere *Connessione alimentazione*.

5. Verificare che il LED di stato della connessione indichi lo stato corretto.
Per maggiori informazioni, vedere *Indicatori LED*.

Assegnazione Indirizzo IP

La telecamera acquisisce automaticamente un indirizzo IP di default. Una volta connessa ad una rete, tenterà di localizzare ed acquisire un indirizzo IP dal server DHCP. In caso di fallimento, viene impiegato Zero Configuration Networking (Zeroconf) per scegliere un indirizzo IP. Quando l'indirizzo IP viene impostato usando Zeroconf, l'indirizzo IP sarà nel sottorete 169.254.0.0/16.

Le impostazioni dell'indirizzo IP possono essere modificate utilizzando uno dei seguenti metodi:

- Applicazione software Programma di installazione della telecamera Avigilon
- Interfaccia browser web della telecamera:
`http://<indirizzo IP telecamera>/`
- Metodo ARP/Ping. Per maggiori informazioni, vedere *Impostazione dell'indirizzo IP attraverso il metodo ARP/Ping*.
- Applicazione software per Registratori video su rete (ad esempio Avigilon Control Center).

NOTA: Il nome utente preimpostato della telecamera è *admin* e la password preimpostata è *admin*.

Accesso a Live Video Stream

Lo streaming video live può essere visualizzato utilizzando uno dei seguenti metodi:

- Applicazione software Programma di installazione della telecamera Avigilon
- Interfaccia browser web della telecamera:
`http://<indirizzo IP telecamera>/`
- Applicazione software per Registratori video su rete (ad esempio Avigilon Control Center).

NOTA: Il nome utente preimpostato della telecamera è *admin* e la password preimpostata è *admin*.

Puntamento e messa a fuoco della telecamera

Utilizzare l' Avigilon Camera Installation Tool per puntare e mettere a fuoco la telecamera. Consultare il manuale d'uso de software per maggior informazioni.

1. Nella finestra di dialogo delle impostazione Image and Display, utilizzare i controlli dello Zoom per raggiungere la posizione desiderata dello zoom della telecamera.
2. Nella finestra di dialogo delle impostazione Image and Display, utilizzare il tasto **Auto Focus** mettere a fuoco l'obiettivo.

Se non si riesce a raggiungere la posizione di messa a fuoco desiderata, utilizzare i pulsanti di messa a fuoco da vicino e da lontano per regolare la messa a fuoco.



Attenzione — Non tentare di regolare la messa a fuoco e lo zoom sulla telecamera stessa o si potrebbe danneggiare l'obiettivo.

Per maggiori informazioni

Ulteriori informazioni sull'impostazione e l'impiego del dispositivo sono disponibili nelle seguenti guide:

- *Guida Utente programma di installazione delle telecamere Avigilon*
- *Manuale d'uso di Avigilon Control Center Client*
- *Manuale d'uso dell'Interfaccia Web per Avigilon in H264 ad Alta Definizione*

I manuali sono disponibili sul sito dell'Avigilon:

<http://avigilon.com/support-and-downloads>.

Connessioni cavi

Connessione alimentazione esterna

NOTA: Non eseguire questa procedura se si impiega un'alimentazione Power over Ethernet (POE).

Se PoE non è disponibile, la telecamera necessita di essere alimentata attraverso un blocco connettore di alimentazione removibile. Fare riferimento ai diagrammi presenti in questa guida per la location del blocco connettore di alimentazione.

Il dispositivo può essere alimentato da 12 VDC o 24 VAC. Le informazioni sul consumo energetico sono elencate nelle specifiche del prodotto.

Per la connessione dell'alimentazione al blocco connettore di alimentazione, completare i seguenti passaggi:

1. Rimuovere il blocco connettore di alimentazione dal dispositivo.
2. Rimuovere l'isolamento dei cavi di alimentazione da ¼" di pollice (6 mm).
Non tagliare o danneggiare i cavi.
3. Inserire i due cavi di alimentazione nei due terminali presenti sul blocco connettore di alimentazione. La connessione può essere fatta con entrambe le polarità. Utilizzare un piccolo cacciavite a taglio (misura di 2 mm) per allentare e stringere i terminali.
4. Ricollegare il blocco connettore di alimentazione nel contenitore sul dispositivo.



Avviso — Il presente prodotto è stato progettato per essere alimentato da unità di alimentazione marcate "Class 2" o "LPS" o "Limit Power Source" UL-elencati ad alimentazione in uscita di 12 VDC o 24 VAC, 6 W min. oppure PoE a 48 VDC, 6 W min.

Connessione di dispositivi esterni

I dispositivi esterni sono connessi alla telecamera attraverso il terminale I/O. Lo schema di disposizione dei contatti dei terminali I/O è illustrato nella seguente tabella e diagramma.

Tabella:Terminali I/O esterni

Pin	Funzione	Descrizione
1	Massa	Massa.
2	Ingresso	Per attivare, collegare l'entrata al pin della messa a terra (massa) Per disattivare, lasciare disconnesso o applicare tra 3-15 V.
3	Uscita	Quando attivo, l'uscita è internamente collegata al pin di messa a terra (massa). Quando inattivo, il circuito è aperto. Il massimo carico è 25 VDC, 120 mA.

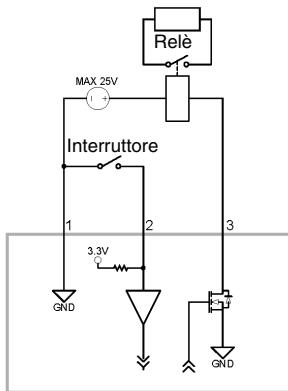


Figura : Schemi dei terminali esterni I/O ed esempi di applicazione.

Connessione di microfoni, altoparlanti e monitor

La telecamera può essere connessa a microfoni, altoparlanti e monitor esterni attraverso un connettore audio/video. Il connettore è un mini-jack (3,5 mm) e lo schema di disposizione dei contatti è illustrato nel seguente diagramma.

NOTA: La telecamera supporta solo un ingresso audio mono a livello di linea ed un uscita video NTSC o PAL.

Il segnale d'uscita video è determinato dall'impostazione del controllo sfarfallio della telecamera. Quando il controllo sfarfallio della telecamera è impostato su 60 Hz, il segnale d'uscita video è in NTSC. Quando il controllo sfarfallio della telecamera è impostato su 50 Hz, il segnale d'uscita video è in PAL. Utilizzare il Programma di installazione della telecamera Avigilon per configurare il relativo controllo sfarfallio nella configurazione di Immagine e Monitor.

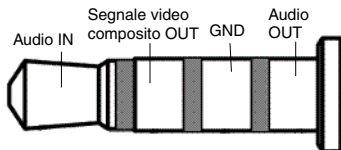


Figura : Connettore video audio con mini-jack

Indicatori LED

Una volta che la telecamera è connessa alla rete, i LED di stato della connessione visualizzeranno la fase di connessione della telecamera al software per Registratori video su rete.

La seguente tabella descrive quello che indicano i LED:

Tabella:Indicatori LED

Stato della connessione	LED di stato della connessione	Descrizione
Acquisizione indirizzo IP in corso...	Un breve flash ogni secondo	Tentativo in corso di acquisire un indirizzo IP.
Individuabile	Due brevi flash ogni secondo	Indirizzo IP acquisito ma non collegato al Software per Registratori Video su rete.
Aggiornamento o firmware in corso	Due brevi flash ed uno lungo ogni secondo	Aggiornamento del firmware in corso...
Connesso	Acceso	Connesso al software per Registratori video su rete.

Ripristino delle impostazioni predefinite di fabbrica

Se la telecamera non funziona più come dovrebbe, è possibile scegliere di ripristinare le impostazioni predefinite di fabbrica.

Utilizzare il tasto di riavvio del firmware per resettare la telecamera.

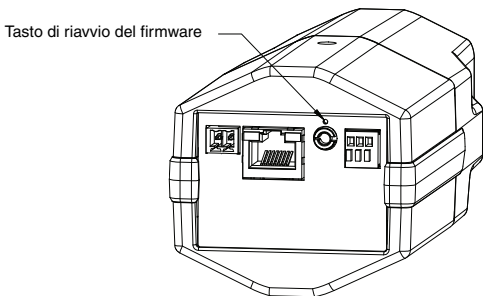


Figura : Il microinterruttore di riavvio del firmware si trova sulla parte posteriore della telecamera.

1. Scollegare l'alimentazione dalla telecamera.
2. Utilizzando una graffetta aperta o uno strumento simile, premere delicatamente il microinterruttore di riavvio del firmware.
3. Mentre si continua a premere sul microinterruttore, collegare l'alimentazione del dispositivo. Lasciare il microinterruttore dopo tre secondi.



Attenzione — Non esercitare una forza eccessiva. Spingere la graffetta o lo strumento troppo a fondo danneggia il dispositivo.

Impostazione dell'indirizzo IP attraverso il metodo ARP/Ping

Completare i seguenti passaggi per configurare la telecamera in modo che utilizzi un indirizzo IP specifico:

1. Localizzare e annotarsi l'indirizzo MAC (MAC) elencato sull'etichetta numero seriale per riferimento.
2. Aprire una finestra shell a riga di comando ed inserire i seguenti comandi:
 - a. `arp -s <Nuovo indirizzo IP Telecamera> <Indirizzo MAC Telecamera>`
Ad esempio: `arp -s 192.168.1.10 00-18-85-12-45-78`
 - b. `ping -l 123 -t <Nuovo Indirizzo IP Telecamera>`
Ad esempio: `ping -l 123 -t 192.168.1.10`
3. Riavviare la telecamera.
4. Chiudere la finestra shell a riga di comando quando compare il seguente messaggio:
Risposta da `<Indirizzo IP nuova telecamera>`:...

Specifiche

	H3-B1	H3-B2	H3-B3
Telecamera			
Ingresso audio	Ingresso di linea, mini-jack A/V (3,5 mm)		
Uscita video	NTSC/PAL, mini-jack A/V (3,5 mm)		
Obiettivo	4,7-84,6 mm, F1.6, auto iris	3-9 mm, F1.2, P-Iris	9-22 mm, F1.6, P-Iris
Rete			
Rete	100Base-TX		
Tipo di cablaggio	CAT5		
Connettore	RJ-45		
API	Versione 1.02, 2.00, Profilo S con conformità ONVIF (www.onvif.org)		
Sicurezza	Protezione con password, crittografia HTTPS, autenticazione codifica, autenticazione WS, log accesso utente		
Protocolli	IPv4, HTTP, HTTPS, SOAP, DNS, NTP, RTSP, RTCP, RTP, TCP, UDP, IGMP, ICMP, DHCP, Zeroconf, ARP		
Protocolli di streaming	RTP/UDP, RTP/UDP multicast, RTP/RTSP/TCP, RTP/RTSP/HTTP/TCP, RTP/RTSP/HTTPS/TCP, HTTP		
Meccaniche			
Dimensioni ØxH	156 mm x 69 mm x 64 mm 6,1" x 2,7" x 2,5"	115 mm x 67 mm x 53 mm 4,5" x 2,6" x 2,5"	
Peso	0,56 kg	0,47 kg	
Supporto telecamera	UNC-20 da 1/4 di pollice (in alto e in basso)		
Elettriche			
Consumo energetico	6 W 4.5 W per modello LightCatcher		
Alimentazione	VDC: 12 V +/-10% VAC: 24 V +/-10% PoE: Conforme IEEE802.3af Classe 3		
Connettore di alimentazione	Blocco terminazione a 2 pin		
Ambientali			
Temperatura operativa	-10 °C fino a +50 °C		
Temperatura di funzionamento NVR	-10 °C fino a +70 °C		
Omologazioni			
Sicurezza	UL 60950 CE	CSA 60950 ROHS	EN 60950-1 WEEE
Emissioni elettromagnetiche	Classe B sottoparte B della Parte 15 delle norme FCCI C ICES-003 Class B EN 55022 Classe B		
Schermatura elettromagnetica	EN 55024 EN 61000-4-4 EN 61000-4-11	EN 61000-4-2 EN 61000-4-5	EN 61000-4-3 EN 61000-4-6

Garanzia limitata e Assistenza tecnica

Avigilon garantisce all'acquirente/consumatore finale che questo prodotto è privo di difetti relativi al materiale e alla fabbricazione per un periodo di 3 anni dalla data di acquisto.

La responsabilità del produttore nei termini della presente garanzia è limitata alla sostituzione del prodotto, alla riparazione dello stesso o alla sostituzione del prodotto con un prodotto riparato, a discrezione del produttore. La presente garanzia non è valida se il prodotto è stato danneggiato accidentalmente o per un uso improprio, per negligenza, per manomissione o altre cause non dovute a difetti legati al materiale o alla fabbricazione. La presente garanzia si estende esclusivamente all'acquirente/consumatore finale del presente prodotto.

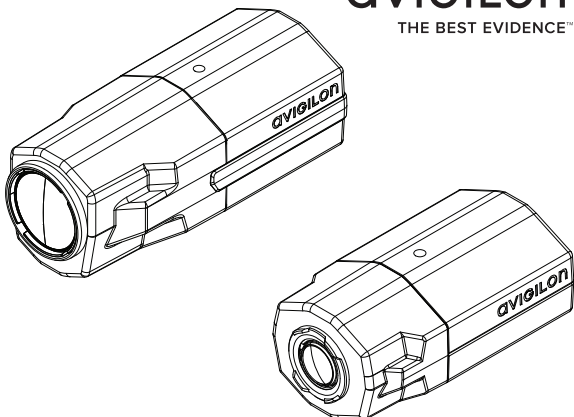
AVIGILON NON RICONOSCE NESSUN ALTRA GARANZIA ESPLICITA O IMPLICITA INCLUSA, MA SENZA LIMITAZIONE, QUALSIASI GARANZIA IMPLICITA DI COMMERCIALIZZABILITÀ E IDONEITÀ PER UN PARTICOLARE SCOPO - AD ECCEZIONE DEI LIMITI AI QUALI QUALSIASI GARANZIA PER LEGGE NON PUÒ VALIDAMENTE RINUNCIARE.

Nessuna informazione, avviso o immagine, in forma scritta o orale, fornita da Avigilon, i suoi distributori, agenti o dipendenti dovrà creare una garanzia diversa dalla presente o modificare quest'ultima. La presente garanzia dichiara la piena responsabilità di Avigilon e l'esclusivo rimedio giuridico dell'utente contro Avigilon per qualsiasi difetto del prodotto che ne impedisca il corretto funzionamento.

In nessun caso Avigilon sarà responsabile per qualsiasi danno indiretto, accidentale, particolare, conseguente, tipico o punitivo o per qualunque altra cosa (inclusi, ma non limitatamente a, danni dovuti alla perdita di profitti o di informazioni confidenziali o di altro tipo, all'interruzione dell'attività, a danni arrecati alla persona, alla perdita di privacy, al mancato rispetto di qualsiasi dovere inclusa la buona fede o la ragionevole cura, alla negligenza e a qualsiasi altro danno economico o perdita) che possa derivare dall'uso o dall'impossibilità di utilizzo del prodotto, anche se avvisata della possibilità di tali danni. Dal momento che alcune giurisdizioni non permettono il tipo di limitazione sopracitata, la stessa potrebbe non essere applicata all'utente.

La presente garanzia limitata conferisce a l'utente specifici diritti legali e l'utente potrebbe disporre anche di altri diritti che possono variare da giurisdizione a giurisdizione.

Ci si può avvalere del servizio di garanzia e dell'assistenza tecnica contattando l'Assistenza Tecnica Avigilon per telefono al numero 1.888.281.5182 o via e-mail all'indirizzo di posta elettronica support@Avigilon.com.



Installationsanleitung

Avigilon HD H.264 IP-Kameramodelle:

1.0-H3-B1, 1.0-H3-B2, 1.0-H3-B3, 1.3L-H3-B2, 1.3L-H3-B3,
2.0-H3-B1, 2.0-H3-B2, 2.0-H3-B3, 3.0W-H3-B2, 3.0W-H3-B3,
5.0-H3-B2 und 5.0-H3-B3

Wichtige Sicherheitsinformationen

Dieses Handbuch enthält Installations- und Bedienungsinformationen für den Einsatz dieser Kamera. Die unsachgemäße Installation kann zu unerwarteten Defekten führen. Lesen Sie sich dieses Handbuch vor der Installation dieses Gerätes sorgfältig durch. Überlassen Sie dem Inhaber des Gerätes dieses Handbuch für den zukünftigen Gebrauch.



Das Symbol „Warnung“ verweist auf das Vorhandensein gefährlicher Spannung innerhalb und außerhalb des Gehäuses des Produkts, und bezeichnet die Gefahr eines Stromschlags, schwerer Verletzung oder des Todes von Personen, wenn die ordnungsgemäßen Vorsichtsmaßnahmen nicht eingehalten werden.



Das Symbol „Vorsicht“ macht den Anwender auf das Vorhandensein von Risiken aufmerksam, die zu kleinen oder geringfügigen Personenverletzungen, zu Sachbeschädigung oder zu Schäden am Produkt selbst führen können, wenn die ordnungsgemäßen Vorsichtsmaßnahmen nicht eingehalten werden.



Warnung – Die Nichtbefolgung der folgenden Anweisungen kann zu schweren Verletzungen oder zum Tod führen.

- Nicht in der Nähe von Wasser verwenden oder Wassertropfen oder -spritzern aussetzen. Keine mit Flüssigkeit gefüllten Objekte oberhalb des Gerätes abstellen.
- Vor Regen oder Feuchtigkeit schützen.
- Nur für die Anwendung im Innenbereich.
Bei der Anwendung im Außenbereich ist ein für den Außenbereich zugelassener Montageadapter zu verwenden. Weitere Informationen dazu erhalten Sie von Avigilon.
- Die Installation darf nur von Fachpersonal durchgeführt werden und muss sämtlichen lokalen Normen entsprechen.
- Dieses Produkt ist vorgesehen für die Verwendung mit einem UL-gelisteten Netzanschluss mit der Bezeichnung „Klasse 2“ oder „LPS“ oder „Limited Power Source“ mit einer

Ausgangsleistung von 6 W min. bei 12 VDC oder 24 VAC oder PoE mit 48 VDC, 6 W min.

- Die an dieses Produkt angeschlossene externe Stromversorgung kann ausschließlich mit weiteren Avigilon-Produkten derselben Modellserie verwendet werden. Externe Stromverbindungen müssen ordnungsgemäß isoliert sein.
- Niemals direkt an das Versorgungsnetz anschließen.



Vorsicht – Die Nichteinhaltung der folgenden Anweisungen kann zu Verletzungen oder zur Beschädigung der Kamera führen.

- Unterlassen Sie die Installation in der Nähe von Wärmequellen wie Radiatoren, Heizregistern, Herden oder anderen Wärmequellen.
- Setzen Sie die Kabel keiner übermäßigen Belastung, schweren Lasten oder Quetschungen aus.
- Öffnen oder zerlegen Sie das Gerät nicht. Es gibt keine zu wartenden Teile.
- Lassen Sie die gesamte Wartung von Fachpersonal ausführen. Eine Wartung kann erforderlich werden, wenn das Gerät beschädigt wurde (beispielsweise durch verschüttete Flüssigkeit oder heruntergefallene Gegenstände), Regen oder Feuchtigkeit ausgesetzt wurde, nicht ordnungsgemäß funktioniert oder fallengelassen wurde.
- Verwenden Sie keine starken Reinigungsmittel oder Scheuermittel, wenn Sie den Kamerakörper reinigen.
- Verwenden Sie nur von Avigilon empfohlenes Zubehör.
- Verwenden Sie nur UL-gelistete Montagebügel, die für die jeweilige Montagefläche und ein Mindestgewicht von 0,7 kg geeignet sind.
- Durch die Verwendung der Steuerungen, Adaptierungen oder die Durchführung anderer Vorgänge, die nicht in diesem Dokument beschrieben sind, können gefährliche Strahlungen freigesetzt werden.

Rechtliche Hinweise

Dieses Gerät entspricht Abschnitt 15 der FCC-Bestimmungen. Der Betrieb unterliegt zwei Bedingungen: (1) Das Gerät darf keine Funkstörungen verursachen und darf (2) durch von außen verursachte Störungen nicht beeinflusst werden.

Dieases Digitalgerät der Klasse B entspricht der kanadischen Norm ICES-003.

FCC-Hinweis

Dieses Gerät wurde getestet und entspricht den Grenzwerten von Rechnergerätender Unterklasse B von Abschnitt 15 der FCC-Bestimmungen, die dazu ausgelegt sind, ausreichenden Schutz gegen Interferenzen bei kommerziellen Installationen zu bieten. Der Betrieb in Wohngebieten wird voraussichtlich funktechnische Störungen verursachen. In diesem Fall ist der Nutzer verpflichtet, auf seine Kosten alle erforderlichen Maßnahmen zu ergreifen, um die Störung zu beheben.

Änderungen oder Modifizierungen an diesem Gerät, die nicht ausdrücklich von Avigilon Corporation oder von durch Avigilon Corporation autorisierten Stellen genehmigt wurden, können die Benutzerberechtigung dieses Gerätes außer Kraft setzen.

Informationen zur Entsorgung und Wiederverwendung

Wenn dieses Produkt das Ende der Nutzungsdauer erreicht hat, entsorgen Sie es bitte gemäß Ihren örtlichen Gesetzen und Bestimmungen zum Umweltschutz.

Europäische Union:



Dieses Symbol bedeutet, dass Ihr Produkt gemäß den örtlichen Gesetzen und Bestimmungen separat vom Hausmüll entsorgt werden soll. Wenn dieses Produkt das Ende der Nutzungsdauer erreicht hat, bringen Sie es zu einer von den örtlichen Behörden dafür vorgesehenen Sammelstelle. Einige Sammelstellen nehmen Produkte kostenlos entgegen. Die separate Sammlung und Wiederverwendung Ihres Produktes zur Zeit der Entsorgung dient der Konservierung natürlicher Ressourcen und stellt sicher, dass es so wieder verwertet wird, dass menschliche Gesundheit und Umwelt keinen Schaden nehmen.

Zusätzliche Notizen

Kompilierungs- und Publikationshinweis

Dieses kompilierte und veröffentlichte Handbuch enthält die neuesten Produktbeschreibungen und Spezifikationen. Inhalt und Spezifikationen dieses Handbuchs können ohne Vorankündigung geändert werden. Avigilon behält sich das Recht vor, an den hierin enthaltenen Spezifikationen und Materialien Änderungen ohne Vorankündigung vorzunehmen und ist nicht verantwortlich für eventuelle Schäden (einschließlich Folgeschäden), die durch Verlassen auf das vorhandene Material entstanden, einschließlich, aber nicht beschränkt auf typographische und andere Fehler dieser Publikation.

Urheberrecht und geistiges Eigentum

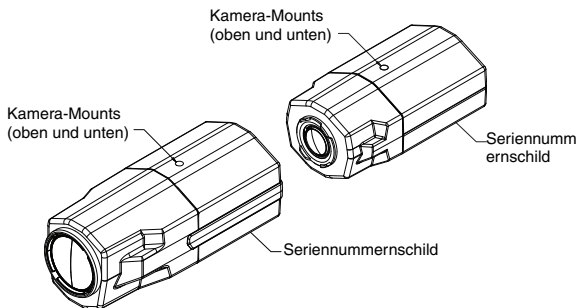
Es wird Ihnen weder stillschweigend noch auf andere Art eine Lizenz gemäß einem Industriedesign, Industriedesign-Rechten, Patentrechten oder Urheberrechten von Avigilon Corporation oder seinen Lizenzgebern verliehen. Marken und eingetragene Warenzeichen sind Eigentum der jeweiligen Inhaber.

Inhalt

Überblick	1
Vorderansicht	1
Rückansicht	2
Installation	3
Erforderliche Werkzeuge und Materialien	3
Lieferumfang der Kamera	3
Installationschritte	3
Befestigung der Kamera	3
Anschließen der Kabel	4
Zuweisen einer IP-Adresse	5
Zugriff auf den Live-Video-Stream	6
Ausrichten und Fokussieren der Kamera ...	6
Weitere Informationen	7
Kabelanschlüsse	8
Anschließen einer externen Stromquelle	8
Anschluss an externe Geräte	9
Anschluss von Mikrofonen, Lautsprechern und Videomonitoren	10
LED-Anzeigen	11
Rücksetzen auf Werkseinstellungen	12
Einstellen der IP-Adresse anhand der ARP/Ping-Methode	13
Spezifikationen	14
Garantiebedingungen und technischer Support	15

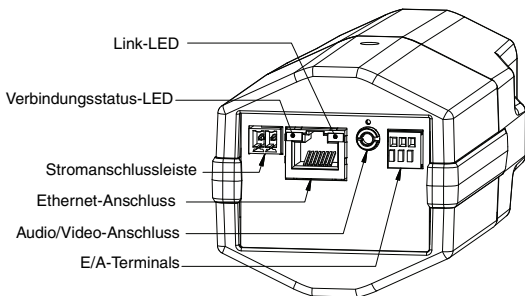
Überblick

Vorderansicht



Funktion	Beschreibung
Kamera-Mounts	Befestigungspunkte für die Kamera. Die Mounts nehmen 1/4"-20 UNC-Gewindeschrauben auf, die für gewöhnlich auf Montagebügeln zu finden sind.
Seriennummerschild	Serien- und Teilenummerschild.

Rückansicht



Funktion	Beschreibung
Ethernet-Anschluss	Akzeptiert eine Ethernet-Verbindung zu einem Netzwerk. Die Kommunikation mit dem Server und die Bilddaten-Übertragung laufen über diese Verbindung. Wird auch mit Strom versorgt, wenn es mit einem Netzwerk verbunden ist, das PoE bereitstellt.
Stromanschlussleiste	Nimmt eine Klemmleiste mit Gleich- oder Wechselspannungs-Stromversorgung auf. Die Gleichspannung kann beliebiger Polarität sein. Nur erforderlich, wenn kein PoE verfügbar ist.
Audio/Video-Anschluss	Nimmt einen 3,5 mm Mini-Klinkenstecker auf. Weiterführende Informationen finden Sie im Abschnitt über den Anschluss von Mikrofonen.
E/A-Terminals	Stellt Verbindungsmöglichkeiten zu externen E/A-Geräten bereit. Weiterführende Informationen finden Sie im Abschnitt über das Verbinden mit externen Geräten.
Verbindungsstatus-LED	Stellt Informationen über den Betrieb des Gerätes bereit. Weiterführende Informationen finden Sie im Abschnitt über LED-Anzeigen.
Link-LED	Zeigt an, ob in der Netzwerkschnittstelle eine aktive Verbindung anliegt.

Installation

Erforderliche Werkzeuge und Materialien

- Kleiner Schlitz-Schraubendreher mit 5/64" oder 2 mm breiter Klinge – zum Anschließen der Stromversorgung, falls kein Power over Ethernet verwendet wird.
- Montagebügel, Gehäuse oder Stativ.

Lieferumfang der Kamera

Achten Sie darauf, dass Folgendes im Lieferpaket enthalten ist:

- Avigilon HD IP-Kamera
- Abschlussblock

Installationsschritte

Sie müssen zur Installation der Kamera die folgenden Vorgänge ausführen.

1. *Befestigung der Kamera* auf Seite 3
2. *Anschließen der Kabel* auf Seite 4
3. *Zuweisen einer IP-Adresse* auf Seite 5
4. *Zugriff auf den Live-Video-Stream* auf Seite 6
5. *Ausrichten und Fokussieren der Kamera* auf Seite 6

Befestigung der Kamera

Die Kamera verfügt, sowohl am oberen, als auch am unteren Ende, über Befestigungspunkte. Verwenden Sie diese Befestigungspunkte, um die Kamera auf einem Bügel, in einem Gehäuse oder auf einem Stativ zu befestigen. Diese Befestigungspunkte sind mit 1/4"-20 UNC Gewinden für die Aufnahme von Standard Foto-Gewindeschrauben versehen.

Für detaillierte Installationsanweisungen schauen Sie bitte in den jeweiligen Installationsleitfaden des Bügels, des Gehäuses oder des Stativs.



Vorsicht – Diese Kamera ist ausschließlich zur Verwendung im Innenbereich gedacht.



Warnung – Verwenden Sie nur UL-gelistete Montagebügel, die für die jeweilige Montagefläche und ein Mindestgewicht von 0,7 kg geeignet sind.

Anschließen der Kabel

Die Position der verschiedenen Stecker und Buchsen entnehmen Sie bitte den Diagrammen in diesem Leitfaden.

Um die Kabel, die zum ordnungsgemäßen Betrieb benötigt werden, anzuschließen, führen Sie bitte folgende Schritte aus:

1. Sollten externe Eingangs- oder Ausgangsgeräte vorhanden sein, die an die Kamera anzuschließen sind (zum Beispiel Türkontakte, Relais, etc.), schließen sie diese an die Ein-/Ausgangs-Terminals der Kamera an. Weitere Informationen finden Sie unter *Anschluss an externe Geräte*.
2. Falls ein externes Mikrofon oder ein Videomonitor an die Kamera anzuschließen sind, schließen Sie diese an die Audio-Buchsen der Kamera an. Weitere Informationen finden Sie unter *Anschluss von Mikrofonen und Videomonitoren*.
3. Schließen Sie die Netzwerkbuchse (RJ45-Steckverbinder) mit einem Ethernet-Netzwerkkabel an ein Netzwerk an. Die Link-LED leuchtet auf, sobald eine Netzwerkverbindung hergestellt wurde.
4. Schließen Sie Strom anhand einer der folgenden Methoden an:

- Power over Ethernet (PoE) Klasse 3 - Wenn PoE verfügbar ist, wird die Kamera automatisch erkannt, sobald ein Netzkabel eingesteckt wird.
 - Externe Stromversorgung - Schließen Sie eine externe 12 VDC oder 24 VDC Stromquelle an die Stromanschlussleiste an.
Weitere Informationen finden Sie unter *Anschluss der Stromversorgung*.
5. Vergewissern Sie sich, dass die Verbindungsstatus-LED den richtigen Zustand signalisiert.
Weitere Informationen finden Sie unter *LED-Anzeigen*.

Zuweisen einer IP-Adresse

Die Kamera bezieht automatisch eine IP-Adresse. Sobald das Gerät mit einem Netzwerk verbunden wird, versucht es einen DHCP-Server zu finden und eine IP-Adresse zu beziehen. Sollte dies scheitern, wird Zero Configuration Networking (Zeroconf) zur Auswahl einer IP-Adresse verwendet. Wenn die IP-Adresse mittels Zeroconf gesetzt wurde, befindet sie sich im Subnetz 169.254.0.0/16.

Die IP-Adresseneinstellungen können anhand einer der folgenden Methoden geändert werden:

- Anwendersoftware Avigilon Kamera-Installationstool.
- Webbrowser-Schnittstelle der Kamera:
`http://<IP-Adresse der Kamera>/`
- ARP/Ping-Methode. Weitere Informationen finden Sie unter *Einstellen der IP-Adresse anhand der ARP/Ping-Methode*
- Anwendungssoftware Netzwerk-Video-Management (beispielsweise Avigilon Control Center).

HINWEIS: Der voreingestellte Benutzername der Kamera ist *admin* und das voreingestellte Passwort ist ebenfalls *admin*.

Zugriff auf den Live-Video-Stream

Der Live-Video-Stream kann anhand einer der folgenden Methoden betrachtet werden:

- Anwendersoftware Avigilon Kamera-Installationstool.
- Webbrowser-Schnittstelle der Kamera:
`http://<IP-Adresse der Kamera>/`.
- Anwendungssoftware Netzwerk-Video-Management (beispielsweise Avigilon Control Center).

HINWEIS: Der voreingestellte Benutzernamen der Kamera ist *admin* und das voreingestellte Passwort ist ebenfalls *admin*.

Ausrichten und Fokussieren der Kamera

Verwenden Sie das Avigilon Kamera-Installationstool, um die Kamera auszurichten und zu fokussieren. Für weitere Informationen ziehen Sie bitte das Software-Benutzerhandbuch heran.

1. Verwenden Sie die Zoomsteuerungen im Dialogfeld „Bild- und Anzeige-Einstellungen“, um die gewünschte Zoomposition für die Kamera zu erzielen.
2. Verwenden Sie die Schaltfläche **Autofokus** im Dialogfenster „Bild- und Anzeige-Einstellungen“, um das Objektiv zu fokussieren.

Sollte die gewünschte Fokus-Position nicht erreicht worden sein, verwenden Sie zur Fokussierung die Schaltflächen Nahfokus und Fernfokus.



Vorsicht – Versuchen Sie nicht, die Scharfeinstellung an der Kamera an sich vorzunehmen, da das Objektiv der Kamera dabei beschädigt werden könnte.

Weitere Informationen

Weitere Informationen zur Einrichtung und Verwendung des Gerätes sind in den folgenden Anleitungen zu finden:

- *Benutzerhandbuch Avigilon Kamera-Installationstool*
- *Benutzerhandbuch Avigilon Control Center Client*
- *Benutzerhandbuch Avigilon HD H264 Web-Interface*

Die Handbücher sind auf der Avigilon Webseite zu finden:

<http://avigilon.com/support-and-downloads/>.

Kabelanschlüsse

Anschließen einer externen Stromquelle

HINWEIS: Führen Sie diese Schritte nicht durch, wenn Sie Power over Ethernet (POE) verwenden.

Sollte PoE nicht verfügbar sein, muss die Kamera mittels der abnehmbaren Stromanschlussleiste versorgt werden. Die Position der Stromanschlussleiste entnehmen Sie bitte den Diagrammen in diesem Leitfaden.

Das Gerät kann sowohl mit 12 VDC als auch mit 24 VAC betrieben werden. Die Angaben zum Stromverbrauch entnehmen Sie bitte der Produktspezifikation.

Um die Stromanschlussleiste mit Strom zu versorgen, führen Sie die folgenden Schritte aus:

1. Entfernen Sie die Stromanschlussleiste vom Gerät.
2. Entfernen Sie 6 mm der Isolierung des Stromkabels.
Fügen Sie den Kabeln keine Kerben hinzu und beschädigen Sie diese nicht.
3. Stecken Sie die beiden Stromkabel in die beiden Klemmen auf der Stromanschlussleiste. Die Verbindung kann beliebige Polarität haben.
Benutzen Sie einen kleinen Schlitzschraubendreher (5/64" oder 2 mm Klingenbreite), um die Schrauben der Leiste zu lösen und anzuziehen.
4. Befestigen Sie die Stromanschlussleiste an der dafür vorgesehen Aussparung am Gerät.



Warnung – Dieses Produkt ist vorgesehen für die Verwendung mit einem UL-gelisteten Netzanschluss mit der Bezeichnung „Klasse 2“ oder „LPS“ oder „Limited Power Source“ mit einer Ausgangsleistung von 6 W min. bei 12 VDC oder 24 VAC oder PoE mit 48 VDC, 6 W min.

Anschluss an externe Geräte

Externe Geräte werden über das E/A-Terminal an die Kamera angeschlossen. Die Klemmenbelegung des E/A-Terminals ist in der folgenden Tabelle und dem folgenden Diagramm veranschaulicht.

Tabelle: Externe E/A-Terminals

Klemme	Funktion	Beschreibung
1	Masse	Masse.
2	Eingang	Verbinden Sie zur Aktivierung den Eingang mit dem Massepunkt. Stellen Sie zur Deaktivierung keine Verbindung her oder legen Sie 3-15 V an.
3	Ausgang	Bei Aktivität ist der Ausgang intern mit dem Massepunkt verbunden. Bei Inaktivität ist der Schaltkreis offen. Die maximale Last beträgt 25 VDC, 120 mA.

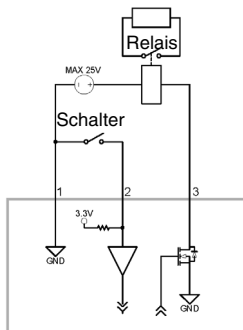


Abbildung: Schaltbild des externen E/A-Terminals und Beispielanwendung.

Anschluss von Mikrofonen, Lautsprechern und Videomonitoren

Die Kamera kann über den Audio-/Videoanschluss mit einem externen Mikrofon, Lautsprechern und einem Videomonitor verbunden werden. Der Anschluss ist als 3,5 mm Miniklinke ausgeführt. Das folgende Diagramm veranschaulicht die Pinbelegung.

HINWEIS: Die Kamera unterstützt eingangsseitig ausschließlich Mono-Audio mit Line-Pegel und ausgangsseitig die NTSC- oder PAL-Videostandards.

Das Video-Ausgangssignal wird durch die Flickersteuerung in den Kamera-Einstellungen festgelegt. Wenn die Flickersteuerung auf 60 Hz gesetzt ist, ist das Videoausgangssignal auf NTSC eingestellt. Wenn der Flickersteuerung auf 50 Hz gesetzt ist, ist das Videoausgangssignal auf PAL eingestellt. Verwenden Sie das Avigilon Kamera-Installationstool, um den Flickerparameter im Bild- und Anzeige-Setup festzulegen..

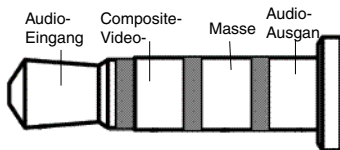


Abbildung: Miniklinken-Audio-/Videostecker

LED-Anzeigen

Sobald die Kamera mit einem Netzwerk verbunden ist, gibt die Status-LED der Kamera Auskunft über den Verbindungsfortschritt zur Netzwerk-Video-Managementsoftware.

Die folgende Tabelle beschreibt die Bedeutung der LED-Anzeigen:

Tabelle:LED-Anzeigen

Verbindungs-status	Verbindungs-status-LED	Beschreibung
IP-Adresse wird abgerufen	Ein kurzes Blinken pro Sekunde	Es wird versucht, eine IP-Adresse abzurufen.
Feststellbar	Zweimaliges kurzes Blinken pro Sekunde	Es wurde eine IP-Adresse ermittelt, aber es besteht keine Verbindung mit Netzwerk-Video-Managementsoftware
Firmware wird aktualisiert	Zweimaliges kurzes und einmalig langes Blinken pro Sekunde	Firmware wird aktualisiert.
Verbunden	Ein	Mit Netzwerk-Video-Managementsoftware verbunden.

Rücksetzen auf Werkseinstellungen

Wenn die Kamera nicht mehr wie erwartet funktioniert, können Sie sie auf ihre Werkseinstellungen zurücksetzen.

Verwenden Sie die Reset-Taste zur Wiederherstellung des Firmware-Standards, um die Werkseinstellungen wiederherzustellen.

Reset-Taste zur Wiederherstellung
des Firmware-Standards

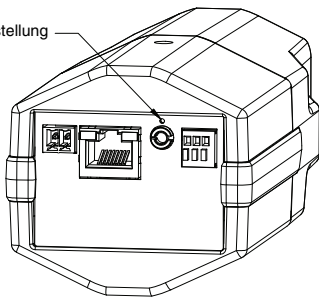


Abbildung: Der Mikroswitch für das Zurücksetzen der Firmware auf der Rückseite der Kamera.

1. Trennen Sie die Kamera von der Stromversorgung.
2. Verwenden Sie eine gerade gezogene Büroklammer oder etwas ähnliches, um vorsichtig den Mikroswitch für das Zurücksetzen der Firmware zu betätigen.
3. Lassen Sie den Mikroswitch gedrückt und versorgen Sie die Kamera mit Strom. Lassen Sie den Mikroswitch nach drei Sekunden los.



Vorsicht – Wenden Sie keine Gewalt an. Zu tiefes Einführen des Werkzeugs führt zur Beschädigung des Gerätes.

Einstellen der IP-Adresse anhand der ARP/Ping-Methode

Führen Sie die folgenden Schritte aus, um die Kamera auf eine bestimmte IP-Adresse einzustellen:

1. Finden Sie die MAC-Adresse (MAC) auf dem Seriennummernschild und schreiben Sie diese auf.
2. Öffnen Sie ein Befehlszeilenfenster und geben Sie die folgenden Befehle ein:
 - a. `arp -s <Neue IP-Adresse der Kamera> <MAC-Adresse der Kamera>`
Ein Beispiel: `arp -s 192.168.1.10 00-18-85-12-45-78`
 - b. `ping -l 123 -t <Neue IP-Adresse der Kamera>`
Ein Beispiel: `ping -l 123 -t 192.168.1.10`
3. Starten Sie die Kamera erneut.
4. Schließen Sie das Befehlszeilenfenster, wenn folgende Meldung erscheint:
Antwort von *<Neue IP-Adresse der Kamera>*: ...

Spezifikationen

	H3-B1	H3-B2	H3-B3
Kamera			
Audio-Eingang	Line-Eingang, kleine A-/V-Buchse (3,5 mm)		
Video-Output	NTSC/PAL, kleine A-/V-Buchse (3,5 mm)		
Objektiv	4,7-84,6mm, F1,6, automatische Blendeneinstellung	3-9 mm, F1,2, P-Iris	9-22 mm, F1,2, P-Iris
Netzwerk			
Netzwerk	100BASE-TX		
Kabeltyp	CAT5		
Anschluss	RJ-45		
Anwendungsprogramm- Schnittstelle (API)	ONVIF-konforme Version 1.02, 2.00, Profile S (www.onvif.org)		
Sicherheit	Passwort-Schutz, HTTPS Verschlüsselung, problemlose Authentifizierung, WS Authentifizierung, Nutzerzugangs-Log		
Protokolle	IPv4, HTTP, HTTPS, SOAP, DNS, NTP, RTSP, RTCP, RTP, TCP, UDP, IGMP, ICMP, DHCP, Zeroconf, ARP		
Streaming-Protokolle	RTP/UDP, RTP/UDP Multicast, RTP/RTSP/TCP, RTP/RTSP/HTTP/TCP, RTP/RTSP/HTTPS/TCP, HTTP		
Mechanisches			
Abmessungen ØxH	156 mm x 69 mm x 64 mm 6,1" x 2,7" x 2,5"	115 mm x 67 mm x 53 mm 4,5" x 2,6" x 2,5"	
Gewicht	0,56 kg	0,47 kg	
Kamera-Mount	1/4" UNC-20 (Ober- und Unterseite)		
Elektrisch			
Stromverbrauch	6 W 4,5 W für LightCatcher-Modell		
Stromquelle	VDC: 12 V +/-10% VAC: 24 V +/-10% PoE: IEEE802.3af Klasse 3 kompatibel		
Versorgungsanschluss	2-Pin Abschlussblock		
Umgebung			
Betriebstemperatur	-10 °C bis +50 °C (14 °F bis 122 °F)		
Lagertemperatur	-10 °C bis +70 °C (14 °F bis 158 °F)		
Zertifizierungen			
Sicherheit	UL 60950 CE	CSA 60950 ROHS	EN 60950-1 WEEE
Elektromagnetische Emissionen	FCC Part 15 Subpart B Class B EN 55022 Class B		IC ICES-003 Class B
Elektromagnetische Störfestigkeit	EN 55024 EN 61000-4-4 EN 61000-4-11	EN 61000-4-2 EN 61000-4-5	EN 61000-4-3 EN 61000-4-6

Garantiebedingungen und technischer Support

Avigilon Avigilon garantiert dem Originalkäufer für einen Zeitraum von 3 Jahren ab Kaufdatum, dass dieses Produkt frei von Material- und Verarbeitungsschäden ist.

Die Herstellerhaftung ist auf den Ersatz des Produktes, dessen Reparatur oder Ersatz durch ein repariertes Produkt beschränkt, je nach Ermessen des Herstellers. Diese Garantie erlischt, wenn das Produkt durch Unfall, unangemessenen Gebrauch, Verwahrlosung, Manipulation oder aus anderen Gründen beschädigt wurde, die nicht auf Fehlern des Materials oder der Verarbeitung beruhen. Diese Garantie ist auf den Originalkäufer des Produktes begrenzt.

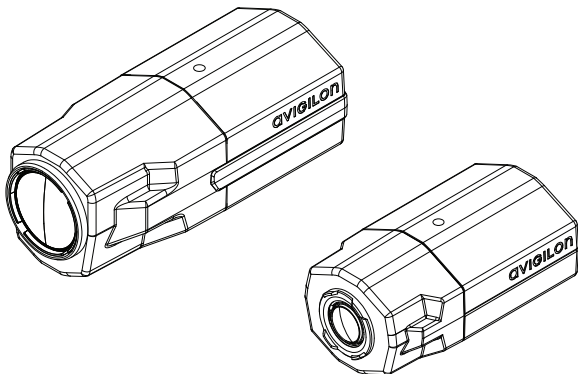
AVIGILON SCHLIESST ALLE ANDEREN AUSDRÜCKLICHEN ODER STILLSCHWEIGENDEN GARANTIEEN AUS, EINSCHLIESSLICH, UND OHNE EINSCHRÄNKUNG, DIE STILLSCHWEIGENDE ZUSAGE DER VERKAUFSFÄHIGKEIT ODER EIGNUNG FÜR EINEN BESTIMMTEN ZWECK, MIT AUSNAHME GESETZLICH VORGESCHRIEBENER GARANTIEEN, DIE NICHT RECHTSGÜLTIG AUSGESCHLOSSEN WERDEN KÖNNEN.

Mündliche oder schriftliche Informationen, Ratschläge oder Darstellungen von Avigilon, seinen Vertriebsfirmen, Händlern, Agenten oder Mitarbeitern bringen keine weitere Garantie oder die Modifizierung dieser Garantie hervor. Diese Garantie stellt Avigilons gesamte Haftung sowie Ihren ausschließlichen Anspruch gegen Avigilon im Falle eines Ausfalls dieses Produktes dar.

Avigilon ist in keinem Fall haftbar zu machen für indirekte, zufällige, spezielle, beispielhafte Folge- oder Bußgeldschäden jeder Art (einschließlich, ohne sich jedoch darauf zu beschränken, für Schäden durch entgangenen Gewinn oder durch vertrauliche oder sonstige Informationen, für Betriebsunterbrechung, Personenschaden, Datenschutzverletzung, Pflichtverletzung, einschließlich Treuepflicht und angemessene Sorgfalt, für Fahrlässigkeit und jeglichen anderen finanziellen oder anders gearteten Verlust), die aus der Verwendung des Produktes entstehen, selbst wenn auf die Möglichkeit solcher Schäden hingewiesen wurde. Da einige Gerichtsbarkeiten die vorstehenden Haftungsbeschränkungen nicht anerkennen, sind solche Beschränkungen möglicherweise für Sie nicht zutreffend.

Diese beschränkte Gewährleistung räumt Ihnen bestimmte Ansprüche ein; daneben können Sie, je nach Gerichtsbarkeit, auch über weitergehende Ansprüche verfügen.

Um Garantiedienstleistungen und technischen Support zu erhalten, setzen Sie sich telefonisch mit Avigilons technischem Support unter 1.888.281.5182 in Verbindung oder senden Sie eine E-Mail an support@avigilon.com.



Guia de Instalação

Modelos de câmera Avigilon H.264 IP de alta definição:

1.0-H3-B1, 1.0-H3-B2, 1.0-H3-B3, 1.3L-H3-B2, 1.3L-H3-B3, 2.0-H3-B1, 2.0-H3-B2, 2.0-H3-B3, 3.0W-H3-B2, 3.0W-H3-B3, 5.0-H3-B2 e 5.0-H3-B3

Informações de Segurança Importantes

Este manual fornece informações de instalação e operação bem como de precauções para o uso desta câmera. A instalação incorreta poderia provocar falha inesperada. Antes de instalar o equipamento, leia com atenção este manual. Forneça este manual ao proprietário do equipamento para uso futuro.



O símbolo de Aviso indica a presença de voltagem perigosa dentro e fora do compartimento do produto, o que pode constituir risco de choque elétrico, lesões graves ou morte das pessoas se as devidas precauções não forem seguidas.



O símbolo de Cuidado alerta o usuário para a presença de perigos que podem causar danos leves ou moderados a pessoas, danos à propriedade ou danos ao produto propriamente dito, se as devidas precauções não forem seguidas.



Cuidado — Deixar de observar as seguintes instruções pode resultar em ferimentos graves ou morte.

- Não use próximo à água nem exponha a gotículas ou respingos. Não coloque objetos que contenham líquidos acima do dispositivo.
- Não exponha à chuva ou umidade.
- Somente para uso interno.
Se for usado em ambientes externos, um adaptador ou compartimento montado externamente é necessário. Consulte a Avigilon para obter mais informações.
- A instalação deve ser realizada por pessoal qualificado e deve estar em conformidade com todas as normas locais.
- Este produto é destinado a ser fornecido por uma unidade de alimentação relacionada em UL, identificada como de “Classe 2” ou “LPS” ou “Fonte de alimentação limitada”, com saída nominal de 12 VCC ou 24 VCA, 6 W mín. ou

Alimentação via Ethernet (PoE), classificada como 48 VCC, 6 W mín.

- Qualquer fonte de alimentação externa conectada a este produto somente pode ser conectada a outro produto Avigilon da mesma série do modelo. As conexões de alimentação externas deverão ser devidamente isoladas.
- Não conecte diretamente à rede elétrica qualquer que seja o motivo.



Cuidado — Deixar de observar as seguintes instruções pode resultar em ferimentos ou danos à câmera.

-
- Não instale próximo a nenhuma fonte de calor, como radiadores, aquecedores, fogões ou outras fontes de calor.
 - Não exponha os cabos a pressão excessiva, cargas pesadas ou compressão.
 - Não lubrifique nem desmonte o dispositivo. Não há nenhuma peça que possa ser reparada pelo usuário.
 - Solicite toda a manutenção ao pessoal qualificado. Talvez seja necessário realizar a manutenção quando o dispositivo estiver danificado (como em função de um líquido derramado ou objetos caídos), exposto à chuva ou umidade, não funcionar normalmente ou tiver caído.
 - Não utilize detergentes fortes ou abrasivos durante a limpeza do corpo do dispositivo.
 - Use apenas acessórios recomendados pela Avigilon.
 - Use somente o suporte montagem de montagem relacionado em UL adequado para a superfície de montagem e com peso mínimo de 0,7 kg (1,5 lb).
 - O uso de controles, ajustes e desempenho dos procedimentos que não sejam os especificados neste manual podem resultar em exposição prejudicial a radiação.

Avisos Regulatórios

Este dispositivo está em conformidade com a parte 15 das Normas da FCC. A operação está sujeita às seguintes condições: (1) Este dispositivo não poderá causar interferência prejudicial e (2) Este dispositivo deverá aceitar qualquer interferência recebida, incluindo interferências que possam causar operação indesejada.

Este dispositivo digital de Classe B está de acordo com o padrão canadense ICES-003.

Aviso da FCC

Este equipamento foi testado e está em conformidade com os limites para um dispositivo de informática de Classe B, conforme a Subparte B da Parte 15 das normas da FCC, que foram elaboradas para fornecer proteção razoável contra tais interferências quando operado em um ambiente comercial. A operação deste equipamento em uma área residencial pode causar interferência, caso em que o usuário à própria custa será solicitado a adotar todas as medidas necessárias para corrigir a interferência.

Alterações ou modificações feitas a este equipamento que não sejam aprovadas expressamente pela Avigilon Corporation ou terceiros autorizados pela Avigilon Corporation podem anular a autoridade do usuário de operar este equipamento.

Informações de Descarte e Reciclagem

Quando este produto atingir o fim de sua vida útil, descarte-o de acordo com as leis e diretrizes ambientais.

União Europeia:



Este símbolo significa que, de acordo com as leis e regulamentos locais, o produto deve ser descartado separadamente do lixo doméstico.

Quando este produto atingir o fim de sua vida útil, leve-o até um ponto de coleta designado pelas autoridades locais. Alguns pontos de coleta aceitam produtos gratuitamente. A coleta seletiva e a reciclagem do produto no momento do descarte ajudarão a preservar os recursos naturais e assegure-se de que seja reciclado de forma que proteja a saúde humana e o meio ambiente.

Outros Avisos

Aviso de Compilação e Publicação

Este manual foi compilado e publicado abrangendo as últimas descrições e especificações do produto. O conteúdo deste manual e as especificações deste produto estão sujeitos a alterações sem prévio aviso. A Avigilon se reserva o direito de fazer alterações sem prévio aviso nas especificações e materiais contidos no presente e não será responsável por quaisquer danos (incluindo consequenciais) causados por confiança nos materiais apresentados, incluindo, mas sem limitação, erros tipográficos e outros relacionados com a publicação.

Direitos de Propriedade Intelectual

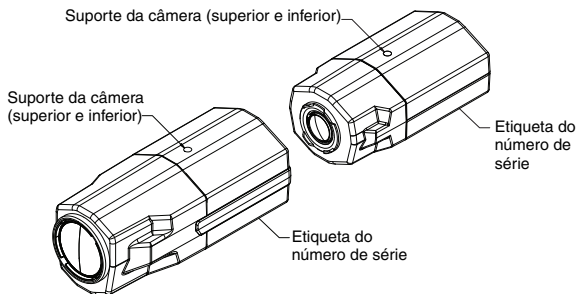
Nenhuma licença é concedida por implicação ou, de outra forma, sob nenhum design industrial, direito de design industrial, patentes, direitos de patente ou direitos autorais da Avigilon Corporation ou seus licenciantes. Todas as marcas comerciais e registradas pertencem a seus respectivos proprietários.

Índice

Visão geral	1
Vista dianteira	1
Vista traseira	2
Instalação	3
Ferramentas e Materiais Necessários	3
Conteúdo da embalagem da câmera	3
Etapas de instalação	3
Montagem da Câmera	3
Cabos de conexão	4
Atribuindo um endereço IP	5
Acessando o fluxo de vídeo ao vivo	5
Direção e foco da câmera	6
Para obter mais informações	6
Conexões por cabo	7
Conectando a Energia Externa	7
Conectando-se a dispositivos externos	8
Conectando-se a microfones, alto-falantes e monitores de vídeo	9
LEDs indicadores	10
Restaurar as configurações padrão de fábrica	11
Configurando o endereço IP pelo método ARP/Ping	12
Especificações	13
Garantia Limitada e Suporte Técnico	14

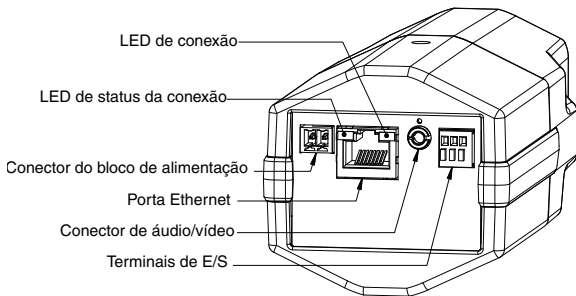
Visão geral

Vista dianteira



Recurso	Descrição
Montagens da câmera	Pontos de montagem para a câmera. Os suportes aceitam parafusos 1/4"-20 UNC normalmente encontrados em suportes de montagem.
Etiqueta do número de série	Número de série do produto e rótulo do número da peça.

Vista traseira



Recurso	Descrição
Porta Ethernet	Aceita uma conexão Ethernet a uma rede. A comunicação do servidor e a transmissão dos dados de imagem ocorrem por meio dessa conexão. Além disso, recebe alimentação quando está conectada a uma rede que oferece Alimentação via Ethernet.
Conector do bloco de alimentação	Aceita um bloco de terminais com conexão de alimentação CA ou CC. A entrada CC pode ter qualquer polaridade. Necessário somente quando a Alimentação via Ethernet não estiver disponível.
Conector de áudio/vídeo	Aceita um conector minitomada (3,5 mm). Consulte a seção sobre conexão de microfones e monitores para obter mais informações.
Terminais de E/S	Fornecer conexões para dispositivos de entrada/saída externa. Consulte a seção sobre conexão de dispositivos externos para obter mais informações.
LED de status da conexão	Fornecer informações sobre a operação do dispositivo. Consulte a seção sobre LEDs indicadores para obter mais informações.
LED de conexão	Indica se há uma conexão ativa na porta Ethernet.

Instalação

Ferramentas e Materiais Necessários

- Chave de fenda pequena com uma lâmina medindo 5/64” ou 2 mm de espessura — para conexão da energia quando não estiver usando a Alimentação via Ethernet.
- Suporte, compartimento ou tripé de montagem.

Conteúdo da embalagem da câmera

Assegure-se de que o pacote contenha o seguinte:

- Câmera Avigilon IP de alta definição
- Bloco de terminais

Etapas de instalação

Realize os seguintes procedimentos para instalar a câmera.

1. *Montagem da Câmera* na página 3
2. *Cabos de conexão* na página 4
3. *Atribuindo um endereço IP* na página 5
4. *Acessando o fluxo de vídeo ao vivo* na página 5
5. *Direção e foco da câmera* na página 6

Montagem da Câmera

Os pontos de montagem da câmera são fornecidas na parte superior e inferior do corpo da câmera. Use esses pontos de montagem para montar a câmera em um suporte, compartimento ou tripé. Os pontos de montagem têm furos roscados de ¼”-20 UNC que permitem aceitar os parafusos de montagem fotográfica padrão.

Consulte as instruções de instalação fornecidas com o suporte de compartimento ou tripé para obter instruções detalhadas de montagem.



Cuidado — A câmera foi projetada para uso apenas interno.



Aviso — Use somente o suporte montagem de montagem relacionado em UL adequado para a superfície de montagem e com peso mínimo de 0,7 kg (1,5 lb).

Cabos de conexão

Consulte os diagramas na seção Visão geral para localizar os diferentes conectores.

Para conectar os cabos necessários para o funcionamento adequado, preencha o seguinte:

1. Se não houver entrada externa ou dispositivos de saída que precisem ser conectados à câmera (por exemplo: contatos de porta, relês etc.), conecte os dispositivos aos terminais de E/S da câmera.
Para obter mais informações, consulte *Conectando-se a dispositivos externos*.
2. Se um microfone externo ou monitor de vídeo externo precisar ser conectado à câmera, conecte os dispositivos ao conector de áudio/vídeo da câmera.
Para obter mais informações, consulte *Conectando-se a microfones e monitores de vídeo*.
3. Conecte a porta Ethernet (conector RJ45) a uma rede usando um cabo de rede Ethernet. O LED de conexão se acenderá quando uma conexão de rede for estabelecida.
4. Conecte a alimentação por meio de um dos seguintes métodos:
 - Alimentação via Ethernet (PoE) Classe 3 - Se PoE estiver disponível, a câmera é automaticamente detectada quando o cabo de rede for conectado.
 - Alimentação externa - Conecte uma fonte de alimentação externa de 12 VCC ou 24 VCA ao bloco conector de alimentação.
Para obter mais informações, consulte *Conexão de alimentação*.

5. Verifique se o LED de status da conexão indica o estado correto.
Para obter mais informações, consulte *LEDs indicadores*.

Atribuindo um endereço IP

Por padrão, a câmera obtém um endereço IP automaticamente. Após ser conectada a uma rede, tentará localizar e obter um endereço IP de um servidor DHCP. Se falhar, a rede de configuração zero (Zeroconf) é usada para escolher um endereço IP. Se o endereço IP for definido usando o Zeroconf, o endereço IP estará na sub-rede 169.254.0.0/16.

As configurações de endereço IP podem ser alteradas usando um dos seguintes métodos:

- Software da ferramenta de instalação da câmera Avigilon.
- Interface do navegador da Internet da câmera:
`http://<endereço IP da câmera>/`.
- Método ARP/Ping. Para obter mais informações, consulte *Configurando o endereço IP pelo método ARP/Ping*.
- Software de gerenciamento de vídeo em rede (por exemplo, o centro de controle Avigilon).

OBSERVAÇÃO: O nome de usuário padrão da câmera é *admin*, e a senha padrão é *admin*.

Acessando o fluxo de vídeo ao vivo

O fluxo de vídeo ao vivo pode ser visualizado por meio de um dos seguintes métodos:

- Software da ferramenta de instalação da câmera Avigilon.
- Interface do navegador da Internet da câmera:
`http://<endereço IP da câmera>/`.
- Software de gerenciamento de vídeo em rede (por exemplo, o centro de controle Avigilon).

OBSERVAÇÃO: O nome de usuário padrão da câmera é *admin*, e a senha padrão é *admin*.

Direção e foco da câmera

Use a ferramenta Avigilon de instalação da câmera para direcionar e focalizar a câmera. Consulte o guia do usuário do software para obter mais informações.

1. Na caixa de diálogo de configurações de imagem e exibição, use os controles de zoom para chegar à posição de zoom desejada para a câmera.
2. Na caixa de diálogo de configurações de imagem e exibição, use o botão **Auto Focus (Foco Automático)** para focalizar a lente.

Se a posição de foco desejado não tiver sido alcançada, use os botões de aproximação e afastamento de foco para ajustá-lo.



Cuidado — Não tente ajustar o foco e o zoom na própria câmera, caso contrário a lente da câmera poderá ser danificada.

Para obter mais informações

As informações adicionais sobre como configurar e usar o dispositivo estão disponíveis nos seguintes guias:

- *Guia do Usuário da Ferramenta de Instalação da Câmera Avigilon*
- *Guia do Usuário Cliente do Centro de Controle Avigilon*
- *Guia do Usuário da Interface Web Avigilon H.264 IP de Alta Definição*

Os manuais estão disponíveis no website da Avigilon:

<http://avigilon.com/support-and-downloads>.

Conexões por cabo

Conectando a Energia Externa

OBSERVAÇÃO: Não execute este procedimento se a Alimentação via Ethernet (PoE) estiver sendo usada.

Se a PoE não estiver disponível, a câmera precisa ser alimentada por meio do bloco conector de alimentação removível. Consulte os diagramas neste guia para localizar o bloco conector de alimentação.

O dispositivo pode ser alimentado a partir de 12 VCC ou 24 VCA. As informações de consumo de energia estão listadas nas especificações do produto.

Para conectar a alimentação ao bloco conector de alimentação, siga os seguintes passos:

1. Remova o bloco conector de alimentação do dispositivo.
2. Remova o isolamento de ¼" (6 mm) dos fios de energia. Não arranhe nem danifique os fios.
3. Insira os dois fios de energia nos dois terminais do bloco conector de alimentação. A conexão pode ser feita com ambas as polaridades.
Use uma pequena chave de fenda (5/64" ou 2 mm de largura de lâmina) para soltar e apertar os terminais.
4. Anexe o bloco conector de energia de volta no recipiente do dispositivo.



Aviso — Este produto é destinado a ser alimentado por uma Fonte de Alimentação Relacionada em UL, identificada como de “Classe 2” ou “LPS” ou “Fonte de Alimentação Limitada”, com saída nominal de 12 VCC ou 24 VCA, 6 W mín. ou PoE classificada como 48 VCC, 6 W mín.

Conectando-se a dispositivos externos

Dispositivos externos são conectados à câmera pelo terminal de E/S. A pinagem para o terminal de E/S é exibida na tabela e diagrama a seguir.

Tabela: Terminais de E/S externa

Pino	Função	Descrição
1	Aterramento	Aterramento.
2	Entrada	Para ativar, conecte a entrada ao pino de aterramento. Para desativar, deixe desconectado ou aplique de 3-15V.
3	Saída	Quando ativo, a saída é conectado internamente com o pino de aterramento. O circuito é aberto quando inativo. A carga máxima é de 25VCC, 120mA.

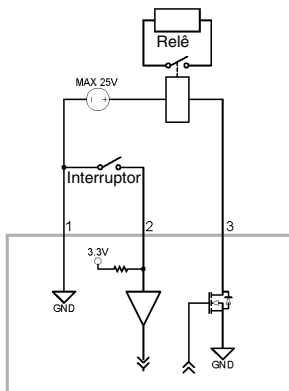


Figura: Esquema do terminal externo de E/S e exemplo de aplicação.

Conectando-se a microfones, alto-falantes e monitores de vídeo

A câmera pode ser conectada a um microfone, alto-falante e monitor de vídeo externo por meio do conector de áudio/vídeo. O conector é uma minitomada (3,5 mm), e a pinagem é exibida no seguinte diagrama.

OBSERVAÇÃO: A câmera suporta somente entrada de áudio mono de nível de linha e uma saída de vídeo NTSC ou PAL.

O sinal de saída de vídeo é determinado pela configuração de controle de cintilação da câmera. Quando o controle de cintilação da câmera for definido como 60 Hz, o sinal de saída de vídeo é NTSC. Quando o controle de cintilação for definido como 50 Hz, o sinal de saída de vídeo é PAL. Use a ferramenta de instalação da câmera Avigilon para configurar o controle de cintilação da câmera na configuração de imagem e exibição.

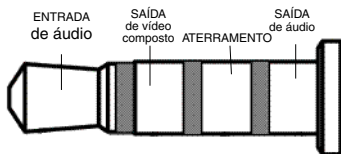


Figura: Conector minitomada de áudio e vídeo.

LEDs indicadores

Quando a câmera estiver conectada à rede, os LEDs do status de conexão mostrarão o progresso da câmera durante a conexão ao software de gerenciamento de vídeo em rede.

A tabela abaixo descreve o que os LEDs indicam:

Table:LEDs indicadores

Status da conexão	LED de status da conexão	Descrição
Obtendo Endereço IP	Um flash curto a cada segundo	Tentando obter um endereço IP.
Descobrível	Dois flashes curtos a cada segundo	Obteve um endereço IP mas não está conectado ao software de Gerenciamento de Vídeo de Rede.
Atualização do Firmware	Dois flashes curtos e um flash longo a cada segundo	Atualização do firmware.
Conectado	Ligado	Conectado ao software de Gerenciamento de Vídeo de Rede.

Restaurar as configurações padrão de fábrica

Se a câmera deixar de funcionar conforme o esperado, você pode optar por restaurar a câmera para as configurações padrão de fábrica.

Use o botão de reversão de firmware para reconfigurar a câmera.

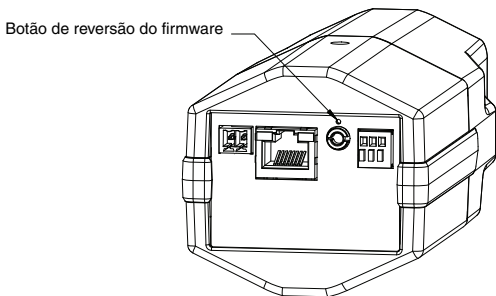


Figura: Interruptor de reversão de firmware na parte traseira da câmera.

1. Desligue a alimentação da câmera.
2. Usando um clipe de papel esticado ou uma ferramenta semelhante, pressione suavemente e segure o microinterruptor de reversão do firmware.
3. Enquanto continua segurando o microinterruptor, ligue o dispositivo. Solte o microinterruptor depois de três segundos.



Cuidado — Não use força excessiva. Inserir a ferramenta com profundidade excessiva danificará o dispositivo.

Configurando o endereço IP pelo método ARP/Ping

Realize as etapas a seguir para configurar a câmera para usar um endereço IP específico:

1. Localize e anote o endereço MAC (MAC) listado na etiqueta do número de série para referência.
2. Abra uma janela de Comando de Prompt e insira os seguintes comandos:
 - a. `arp -s <Novo endereço IP da câmera>
<Endereço MAC da câmera>`
Por exemplo: `arp -s 192.168.1.10 00-18-85-12-45-78`
 - b. `ping -l 123 -t <Novo endereço IP do codificador>`
Por exemplo: `ping -l 123 -t 192.168.1.10`
3. Reinicialize a câmera.
4. Feche a janela de Comando de Prompt ao ver a seguinte mensagem:
Resposta de **<Novo Endereço IP da Câmera>**:...

Especificações

	H3-B1	H3-B2	H3-B3
Câmera			
Entrada de áudio	Entrada de linha, miniconector A/V (3,5 mm)		
Saída de vídeo	NTSC/PAL, miniconector A/V (3,5 mm)		
Lente	4,7-84,6 mm, F1.6, íris automática	3-9 mm, F1.2, P-íris	9-22 mm, F1.6, P-íris
Rede			
Rede	100Base-TX		
Tipo de cabeamento	CAT5		
Conector	RJ-45		
API	Conformidade com o padrão ONVIF versões 1.02, 2.00, Profile S (www.onvif.org)		
Segurança	Proteção por senha, criptografia HTTPS, autenticação resumida, autenticação WS, registro de acesso do usuário		
Protocolos	IPv4, HTTP, HTTPS, SOAP, DNS, NTP, RTSP, RTCP, RTP, TCP, UDP, IGMP, ICMP, DHCP, Zeroconf, ARP		
Protocolos de streaming	RTP/UDP, RTP/UDP multicast, RTP/RTSP/TCP, RTP/RTSP/HTTP/TCP, RTP/RTSP/HTTPS/TCP, HTTP		
Dimensões mecânicas			
Mecânicas ØxA	156 mm x 69 mm x 64 mm 6,1" x 2,7" x 2,5"	115 mm x 67 mm x 53 mm 4,5" x 2,6" x 2,5"	
Peso	0.56 kg (1,2 lbs.)	0.47 kg (1,0 lbs)	
Montagem da câmera	UNC-20 de 1/4" (superior e inferior)		
Dados elétricos			
Consumo de energia	6 W 4.5 W para modelo LightCatcher		
Fonte de alimentação	VCC: 12 V +/-10% VCA: 24 V +/-10% PoE: Compatível com IEEE802.3af classe 3		
Conector de energia	Bloco de terminais de 2 pinos		
Dados ambientais			
Temperatura de operação	-10°C to +50°C (14°F to 122°F)		
Temperatura de armazenamento	-10°C to +70°C (14°F to 158°F)		
Certificações			
Segurança	UL 60950 CE	CSA 60950 ROHS	EN 60950-1 WEEE
Emissões eletromagnéticas	FCC Parte 15, Subparte B, Classe B EN 55022 Classe B		IC ICES-003, Classe B
Imunidade eletromagnética	EN 55024 EN 61000-4-4 EN 61000-4-11	EN 61000-4-2 EN 61000-4-5	EN 61000-4-3 EN 61000-4-6

Garantia Limitada e Suporte Técnico

A Avigilon garante ao comprador consumidor original, que este produto estará livre de defeitos de material e manufatura por um período de 3 anos a partir da compra.

Segundo o presente, a responsabilidade do fabricante limita-se à substituição do produto, reparo do produto ou substituição do produto com o produto reparado, a critério do fabricante. Esta garantia é nula se o produto tiver sido danificado por acidente, uso não razoável, negligência, adulteração ou outras causas não resultantes de defeitos no material ou mão de obra. Esta garantia estende-se apenas ao comprador e consumidor original do produto.

A Avigilon RECUSA TODAS AS DEMAIS GARANTIAS EXPRESSAS OU IMPLÍCITAS, INCLUINDO, SEM LIMITAÇÃO, QUALQUER GARANTIA IMPLÍCITA DE COMERCIALIZAÇÃO OU ADEQUAÇÃO A UMA FINALIDADE ESPECÍFICA, EXCETO NA MEDIDA EM QUE QUALQUER GARANTIA IMPLÍCITA PELA LEGISLAÇÃO NÃO PUDE SER RECUSADA DE MANEIRA VÁLIDA.

Nenhuma informação verbal ou escrita, orientação ou declaração fornecida pela Avigilon, seus distribuidores, revendedores, agentes ou funcionários deverá criar outra garantia ou modificar esta garantia. A presente garantia declara a inteira responsabilidade da Avigilon e sua exclusiva solução em relação à Avigilon por qualquer falha que impeça este produto de funcionar corretamente.

Em nenhum caso a Avigilon será responsabilizada por quaisquer danos indiretos, incidentais, especiais, consequenciais, exemplares ou punitivos de qualquer natureza (incluindo, mas sem limitação, danos por lucro cessante ou informações confidenciais ou de outro tipo, interrupção de negócios, danos pessoais, perda de privacidade, não cumprimento de qualquer obrigação, incluindo de boa-fé ou de cuidado razoável, negligência e quaisquer outras perdas pecuniárias de qualquer outra natureza) decorrentes da utilização ou incapacidade de utilizar o produto, mesmo que orientada sobre a possibilidade de tais danos. Como algumas jurisdições não permitem a limitação de responsabilidade acima, tal limitação poderá não ser aplicável a você.

A presente Garantia Limitada lhe concede direitos específicos legais e você pode ter também outros direitos que variam de uma jurisdição para outra.

O serviço de garantia e o suporte técnico podem ser obtidos contatando o Suporte Técnico Avigilon pelo telefone 1.888.281.5182 ou por e-mail: suporte@Avigilon.com.

AVIGILON
THE BEST EVIDENCE™

© 8/20/13 Avigilon Corporation