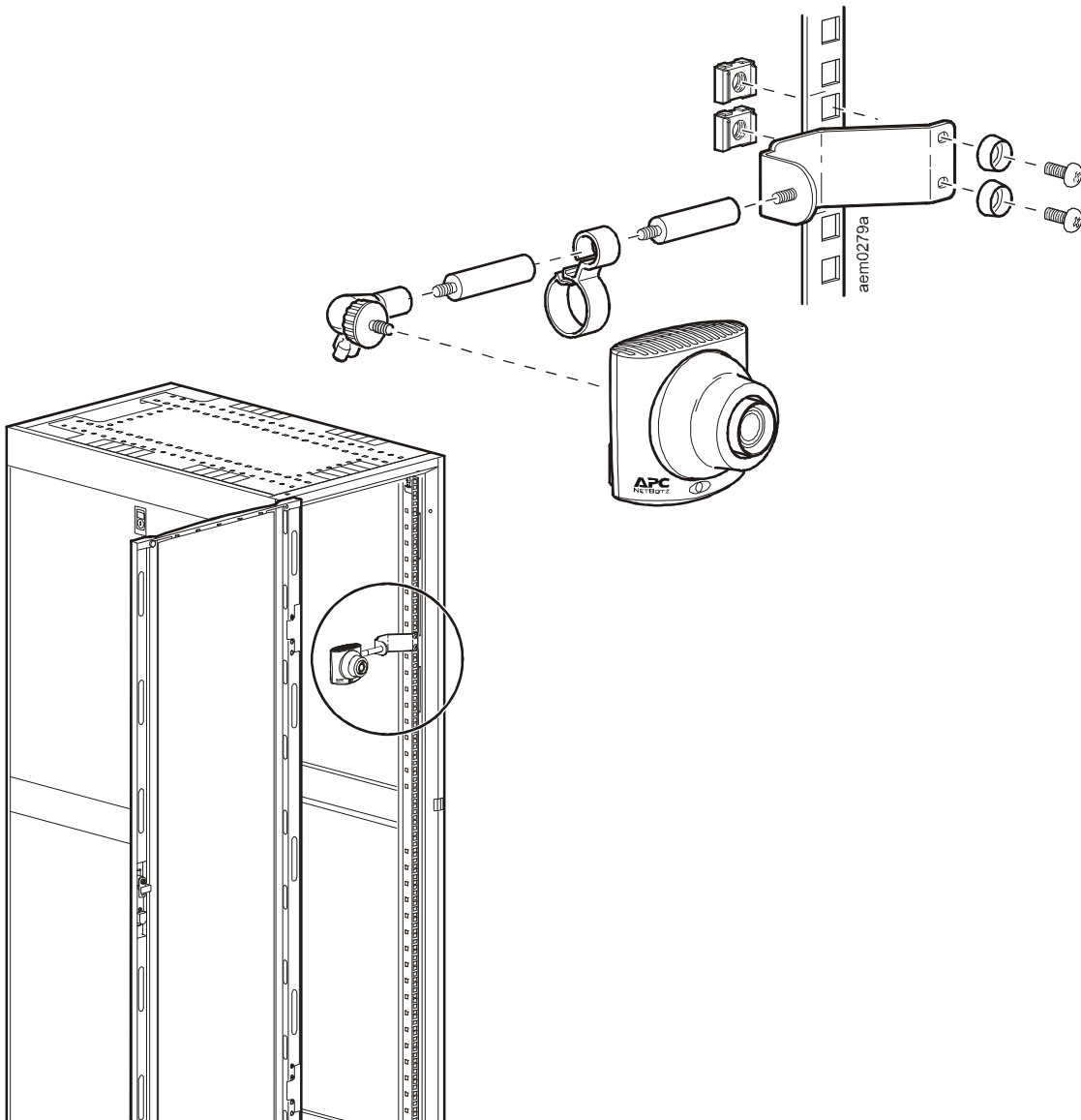


# Rack Mounting Bracket for NetBotz<sup>®</sup> Room Camera Pod 160 (NBAC0302) Installation Instructions



**Note:** To secure the Rack Mounting Kit to the enclosure, use the cage nuts and screws provided with the enclosure.



Customer support and warranty information is available at the APC Web site, [www.apc.com](http://www.apc.com).

© 2008 American Power Conversion. All rights reserved. All APC trademarks are property of American Power Conversion. Other trademarks are property of their respective owners.

990-3387

06/2008

