



by Schneider Electric

# Switched Rack Power Distribution Unit (AP8681)

## Overview and Specifications

### Overview

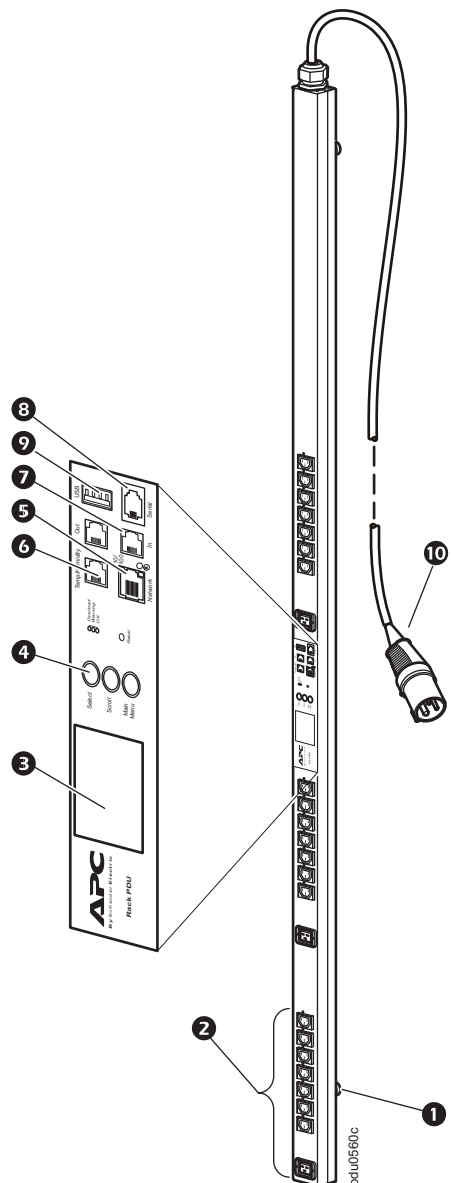
The APC by Schneider Electric Switched Rack Power Distribution Unit (PDU) distributes power to devices in a rack. The PDU measures total load plus phase, bank, and outlet load. In addition, configured users can control the state of the outlets. You can access the PDU through Web, Telnet, SNMP, SSH, or StruxureWare interfaces for comprehensive control and monitoring functionality.

**Outlets.** The Rack PDU has twenty-one (21) IEC-320-C13 and three (3) IEC-320-C19 locking outlets **2**. (The locking feature is compatible with APC locking input cords and APC locking jumper cords.)

**Display interface.** The liquid crystal display (LCD) **3** and input buttons **4** allow you to monitor current, power, and voltage measurements of the Rack PDU. Local communication can be established through the serial port **8**, and remote communication through the network port **5**. The USB **9** port allows for firmware upgrades, and the CAN **7** ports enable data transfer for future expansion options. The environmental sensor port **6** allows for monitoring of the temperature and humidity of the room or enclosure.

**Power cord.** The 1.83-m (6-ft) power cord terminates with a 16 A, 5-pin IEC-309 connector **10**.

**Toolless mounting.** The Rack PDU has two toolless mounting pegs **1** for 0 U mounting capability in a rack or enclosure.



## Specifications

### Electrical

Acceptable input voltage	220/380 - 240/415 VAC +6%, -10%
Maximum input current (phase)	16 A UL (derated) 16 A VDE
Input frequency	50/60 Hz
Input connection	16 A, 5-pin IEC-309
Input power	11.5 kVA UL 11.0 kVA VDE
Output voltage	220-240 VAC
Maximum output current (outlet)	IEC-320-C13: 12 A; IEC-320-C19: 16 A UL (derated) IEC-320-C13: 10 A; IEC-320-C19: 16 A VDE
Maximum output current	16 A UL (derated) 16 A VDE
Output connections	Twenty-one (21) IEC-320-C13; Three (3) IEC-320-C19

### Physical

Dimensions (H x W x D) (depth does not include toolless pegs)	182.9 x 5.6 x 5.1 cm (72.0 x 2.2 x 2.0 in)
Power cord length	1.83 m (6 ft)
Shipping dimensions (H x W x D)	203.8 x 16.2 x 11.7 cm (80.25 x 6.38 x 4.62 in)
Weight/shipping weight	8.23 kg (18.1 lb) / 10.5 kg (23.1 lb)

### Environmental

Maximum elevation (above MSL) Operating/Storage	0–3 000 m (0–10,000 ft) / 0–15 000 m (0–50,000 ft)
Temperature Operating/Storage	–5 to 45°C (23 to 115°F) / –25 to 65°C (–13 to 149°F)
Humidity Operating/Storage	5–95% RH, non-condensing

### Compliance

EMC verification	EN 55022 Class A, EN 55024, EN 61000-3-2, EN 61000-3-3, FCC Part 15 Class A, ICES-003 Class A
Safety verification	UL, VDE