

MOBOTIX Q25M Hemispheric Camera



Allround Easy. Allround Secure.


An elegant, ultra-compact and weatherproof IP dome camera. The Q25 opens up a whole new range of application scenarios thanks to the 360° allround view for recording an entire room, widescreen panoramic images and simultaneous quad display in all four cardinal directions.

- High-resolution widescreen panorama from wall to wall, ideal for access control
- Integrated DVR (up to 64 GB) for long-term recording without network load
- Digital continuous tilting, panning and zooming without mechanically moving the camera
- Robust and low maintenance with no moving parts
- Newest MOBOTIX 5MP sensor technology with up to 30 fps and improved zoom
- Microphone, speaker, MxBus and intelligent movement sensors (MxActivitySensor)
- Optimized image quality and reduced motion blur even in poor lighting conditions


MOBOTIX Advantages


Extremely high-sensitive 5-megapixel sensors • All relevant events are automatically saved • Highly secure as motion sensors detect even the smallest movements and reduce the number of false alarms • Cost-effective as fewer cameras are needed thanks to HiRes panorama view • Maintenance-free with no heaters, fans or moving parts • Can be expanded thanks to encrypted two-wire bus (MxBus) • Synchronization via GPS satellite means data available in real time • Weatherproof from -30°C to 50°C (-22°F to 122°F) • No licensing or software fees, free-of-charge updates



Camera Housing	
	Standard housing <ul style="list-style-type: none"> Hemispheric allround view (360°) Suitable for wall or ceiling mounting White or black Robust and low maintenance with no moving parts

Accessories	
	Vandalism Set <ul style="list-style-type: none"> Anti-vandalism stainless steel housing with lens protection Polished, matt

	In-ceiling set <ul style="list-style-type: none"> Installation set with mounting accessories Simple installation from the front Ø 15 cm installation dimensions White or black Optionally available with stainless steel ring
---	---

	ExtIO function expansion <ul style="list-style-type: none"> Microphone/Speaker Infrared motion sensor, temperature sensor 2 signal inputs, 2 signal outputs, 2 illuminated keys
---	---



Application In An Elevator

The discreetly mountable Q25 provides a complete view and at the same time serves as a highly functional intercom system (microphone and speaker are integrated into the camera ex factory)

Technical Data	
Model versions	Basic, Sec, Sec-Night
Lens options	L12 (180° x 160°), L25 (82° x 61°)
Sensitivity	Color sensor: 0.25 lux (f = 1/60 s), 0.013 lux (f = 1/1 s) B/W sensor: 0.05 lux at 1/60 s, 0.0025 lux at 1/1 s MxLEO – Lowlight Exposure Optimization
Image sensors	1/2.5" CMOS, 5 megapixels, progressive scan
Max. image size	Color: 2048 x 1536 (QXGA), B/W: 2048 x 1536 (QXGA)
Image formats	Freely selectable image format (160 x 120 up to 2048 x 1536/color); PTZ views: Surround (Quad), fisheye full image, normal, panorama, double panorama, panorama focus (3 views)
Max. frame rate, M-JPEG (live/recording)	VGA: 30 fps, MEGA/HD: 10 fps, 3MEGA: 4 fps
Max. video rate MxPEG (live/recording/sound)	VGA: 30 fps, MEGA/HD: 30 fps, 3MEGA: 20 fps
Image compression	MxPEG, M-JPEG, JPEG, H.264 (SIP video only)
Internal DVR	MicroSD Slot (recording inside the camera, up to 64 GB; 4-GB card preinstalled)
External storage	Directly on NAS and computer/server without additional recording software
Software (free of charge)	MxEasy video management software, MxControlCenter control center software, MOBOTIX App for iOS devices iOS 5.0 and higher
Image processing	Backlight compensation, automatic white balance, image distortion correction (including panorama image correction), motion detection, MxActivitySensor
Virtual PTZ (vPTZ)	Digital pan/tilt/zoom, continuous 8x zoom, full image recording in the background
Alarm/events	Triggering of events by integrated multiple-window motion detection, temperature sensor, notification over email, FTP, IP telephony (VoIP, SIP), visual/acoustic alarm, pre- and post-alarm images
Audio	Integrated microphone and speaker, lip-synchronous audio, intercom, audio recording
Interfaces	Ethernet 10/100, IPv4/IPv6, MiniUSB, MxBus, IO and RS232 via MX-232-IO-Box (accessory)
Video telephony	VoIP/SIP, intercom, remote controlling with key code, event notification
Security	User/group management, HTTPS/SSL, IP address filter, IEEE 802.1x, intrusion detection, digital image signature
Certifications	EMC (EN50121-4, EN55022, EN55024, EN61000-6-2, FCC part15B, AS/NZS3548)
Power supply	Power over Ethernet (PoE in accordance with IEEE802.3af): PoE class variable (2/3) depending on operating mode; power consumption: typ. 4.5 watts;
Operating conditions	IP65 (DIN EN 60529), -30 to +50 °C/-22 to +122 °F
Dimensions	diam. x H: 16 x 5 cm
Weight	about 450 g

For more information on the entire range of MOBOTIX accessories and additional information on the Q25M, such as prices, manuals, video management software for computers and iOS devices, etc., please go to www.mobotix.com > **Products**. Or - if you would like to talk to us on the phone to get advice with our products, please call +49 06302 9816-103.

Camera Model	Q25Mi-Basic	Q25M-Sec	Q25M-Sec-Night
Lenses, Sensors			
Hemispheric 12 mm (180° x 160°)	L12	L12	L12
Super Wide-Angle 25 mm (82° x 61°)	–	L25	L25
Wide-Angle 38 mm (55° x 41°)	–	–	–
Wide-Angle 51 mm (40° x 30°)	–	–	–
Tele 76 mm (27° x 20°)	–	–	–
Tele 160 mm (13° x 10°)	–	–	–
Tele 320 mm (7° x 5°)	–	–	–
CSVario 28 – 63 mm (28° – 58°)	–	–	–
Image sensor with individual exposure zones	Color	Color	B/W
Sensor sensitivity in lux at 1/60 s /1 s	0,25/0,013	0,25/0,013	0,005/0,0025
Image sensor resolution (color or B/W sensor)	5 MP (2592 x 1944)	5 MP (2592 x 1944)	5 MP (2592 x 1944)

Hardware Functions			
Protection class	IP54	IP65	IP65
Temperature range -30 to +50°C/-22 to +122°F	•	•	•
Temporary internal DVR	2 MB	64 MB	64 MB
Internal DVR, ex works (max. 64 GB)	–	4 GB (MicroSD)	4 GB (MicroSD)
Microphone/speaker	–/•	•/•	•/•
Passive infrared sensor (PIR)	–	–	–
Integrated temperature sensor	–	•	•
Shock detector	–	•	•
Power consumption (typical)	< 4,5 watts	< 4,5 watts	< 4,5 watts
Variable PoE class (factory default: 3)	2 or 3	2 or 3	2 or 3

Image Formats, Frame Rates, Image Storage			
Maximum image format (per sensor)	HD (1280 x 720)	QXGA (2048 x 1536)	QXGA (2048 x 1536)
Maximum frame rate (MxPEG, max. resolution)	30 fps (HD)	20 fps (QXGA)	20 fps (QXGA)
CIF images with 4 GB MicroSD DVR	–	250,000	250,000
VGA images with 4 GB MicroSD DVR	–	125,000	125,000
HD images with 4 GB MicroSD DVR	–	40,000	40,000
QXGA images with 4 GB MicroSD DVR	–	20,000	20,000

- available ex works
- not available



Camera Model	Q25Mi-Basic	Q25M-Sec	Q25M-Sec-Night
General Functions			
Digital zoom (continuous) with panning	•	•	•
Codecs: Motion-JPEG/MxPEG/H.264 for SIP	•/•/-	•/•/•	•/•/•
Programmable exposure zones	•	•	•
Snapshot recording (pre/post-alarm images)	3	50	50
Terabyte ring buffer storage (internal/network)	-	•	•
Continuous recording with sound (0.2 to 30 fps)	-	•	•
Event recording with sound	-	•	•
Time and event control/flexible event logic	•/-	•/•	•/•
Weekly schedules/holidays	-	•	•
Web functionality (FTP, email)	•	•	•
Playback/QuadView and MultiView	•/•	•/•	•/•
Bidirectional sound in browser	-	•	•
Logo generator, animated	-	•	•
Master/Slave arming	-	•	•
Several scheduled privacy zones	-	•	•
Customized voice messages	-	•	•
VoIP telephony (audio/video, alert)	-	•	•
Remote alarm notification (network message)	-	•	•
Signal inputs/outputs and RS232 via	-	MX-232-IO-Box	MX-232-IO-Box
Programming interface (HTTP API)	-	•	•
Security Features (HTTPS/S/L, IP-based access control, IEEE 802.1X network authentication)	•	•	•

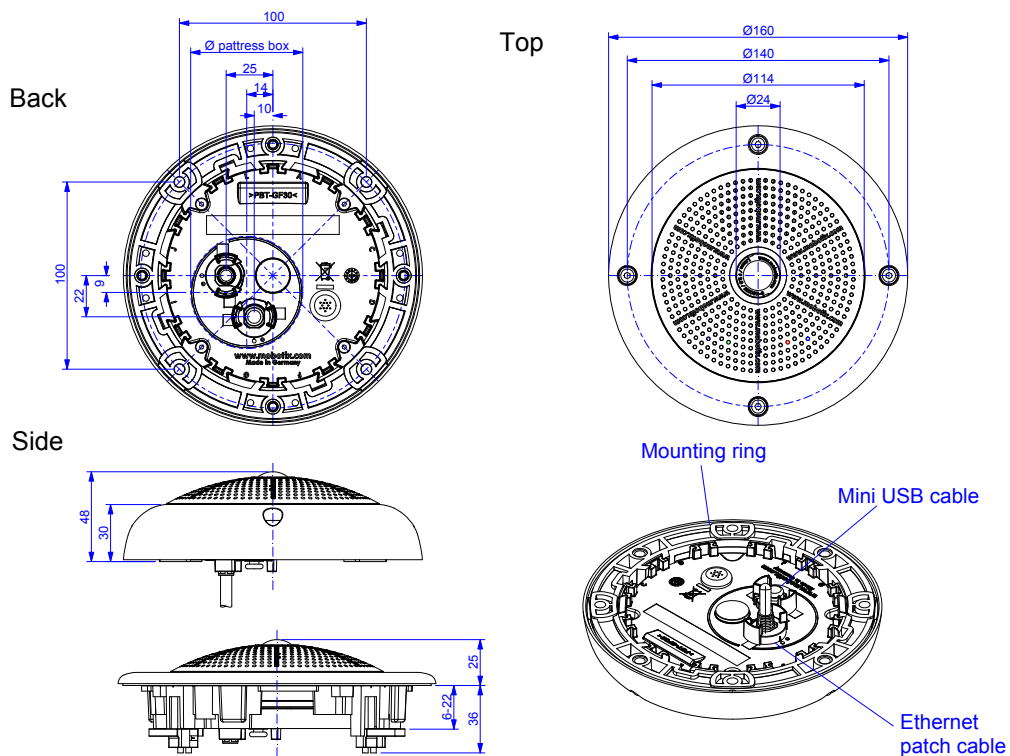
Video Analysis			
Video motion detector	-	•	•
MxAnalytics	-	-	-
MxActivitySensor	-	•	•

Video Management Software			
MxEasy (Windows/Mac OS X)	•	•	•
MxControlCenter (Windows)	•	•	•
MOBOTIX App (iOS)	•	•	•

Delivered Parts Q25M (Secure)



(Excerpt from the technical documentation: www.mobotix.com > Support > Manuals)



(Excerpt from technical drawings and 3D views: www.mobotix.com > Support > Image Database)



Lens unit

Speaker

*Microphone
(only Q25M-Sec)*

R key

L key

LEDs

*Slot for MicroSD card
(not externally accessible)*



Network connector

MiniUSB (e.g. ExtIO)

Bayonet catch

MxBus (for expansion modules)



(Q25M – Camera housing and connectors, excerpt from the technical documentation)