

# Installation Guide

Avigilon™ HD Multisensor Dome Camera Models:

12W-H3-4MH-DP1 and 9W-H3-3MH-DP1

# Important Safety Information

This manual provides installation and operation information and precautions for the use of this camera. Incorrect installation could cause an unexpected fault. Before installing this equipment read this manual carefully. Please provide this manual to the owner of the equipment for future use.



The Warning symbol indicates the presence of dangerous voltage within and outside the product enclosure that may constitute a risk of electric shock, serious injury or death to persons if proper precautions are not followed.



The Caution symbol alerts the user to the presence of hazards that may cause minor or moderate injury to persons, damage to property or damage to the product itself if proper precautions are not followed.



**WARNING** — Failure to observe the following instructions may result in severe injury or death.

- Installation must be performed by qualified personnel only, and must conform to all local codes.
- This product is intended to be supplied by a UL Listed Power Unit marked “Class 2” or “LPS” or “Limited Power Source” with output rated 24 VAC +/- 10%, 37 VA min.; 24 VDC +/- 10%, 26 W min. or Power over Ethernet (PoE) IEEE802.3af Type 3 compliant Power Sourcing Equipment (PSE) rated 44-57 VDC, 13 W min. or Power over Ethernet (PoE) IEEE802.3at Type 2 compliant Power Sourcing Equipment (PSE) rated 50-57 VDC, 25.5 W min.
- Any external power supply connected to this product may only be connected to another Avigilon product of the same model series. External power connections must be properly insulated.
- Do not connect directly to mains power for any reason.



**CAUTION** — Failure to observe the following instructions may result in injury or damage to the camera.

- Do not install near any heat sources such as radiators, heat registers, stoves, or other sources of heat.
- Do not subject the cables to excessive stress, heavy loads or pinching.
- Do not open or disassemble the device. There are no user serviceable parts.
- Refer all servicing to qualified personnel. Servicing may be required when the device has been damaged (such as from a liquid spill or fallen objects), has been exposed to rain or moisture, does not operate normally, or has been dropped.
- Do not use strong or abrasive detergents when cleaning the device body.
- Use only accessories recommended by Avigilon.

# Regulatory Notices

This device complies with part 15 of the FCC Rules. Operation is subject to the following two conditions: (1) This device may not cause harmful interference, and (2) this device must accept any interference received, including interference that may cause undesired operation.

This Class B digital apparatus complies with Canadian ICES-003.

## FCC Notice

This equipment has been tested and found to comply with the limits for a Class B digital device, pursuant to Part 15 of the FCC rules. These limits are designed to provide reasonable protection against harmful interference in a residential installation. This equipment generates, uses and can radiate radio frequency energy and, if not installed and used in accordance with the instructions, may cause harmful interference to radio communications. However, there is no guarantee that interference will not occur in a particular installation. If this equipment does cause harmful interference to radio or television reception, which can be determined by turning the equipment off and on, the user is encouraged to try to correct the interference by one or more of the following measures:

- Reorient or relocate the receiving antenna.
- Increase the separation between the equipment and the receiver.
- Connect the equipment into an outlet on a circuit different from that to which the receiver is connected.
- Consult the dealer or an experienced radio/TV technician for help.

Changes or modifications made to this equipment not expressly approved by Avigilon Corporation or parties authorized by Avigilon Corporation could void the user's authority to operate this equipment.

## Disposal and Recycling Information

When this product has reached the end of its useful life, please dispose of it according to your local environmental laws and guidelines.

Risk of fire, explosion, and burns. Do not disassemble, crush, heat above 100 °C (212 °F), or incinerate.

### European Union:



This symbol means that according to local laws and regulations your product should be disposed of separately from household waste. When this product reaches its end of life, take it to a collection point designated by local authorities. Some collection points accept products for free. The separate collection and recycling of your product at the time of disposal will help conserve natural resources and ensure that it is recycled in a manner that protects human health and the environment.

# Legal Notices

© 2016, Avigilon Corporation. All rights reserved. AVIGILON, the AVIGILON logo, AVIGILON CONTROL CENTER, and ACC are trademarks of Avigilon Corporation. Other product names mentioned herein may be the trademarks of their respective owners. The absence of the symbols ™ and ® in proximity to each trademark in this document is not a disclaimer of ownership of the related trademark. Avigilon Corporation protects its innovations with patents issued in the United States of America and other jurisdictions worldwide:

<http://www.avigilon.com/patents>. Unless stated explicitly and in writing, no license is granted with respect to any copyright, industrial design, trademark, patent or other intellectual property rights of Avigilon Corporation or its licensors.

## Disclaimer

This document has been compiled and published covering the latest product descriptions and specifications. The contents of this document and the specifications of the products discussed herein are subject to change without notice. Avigilon Corporation reserves the right to make any such changes without notice. Neither Avigilon Corporation nor any of its affiliated companies: (1) guarantees the completeness or accuracy of the information contained in this document; or (2) is responsible for your use of, or reliance on, the information. Avigilon Corporation shall not be responsible for any losses or damages (including consequential damages) caused by reliance on the information presented herein.

Avigilon Corporation  
<http://www.avigilon.com>

PDF-H3-MH-DP-A

Revision: 2 - EN

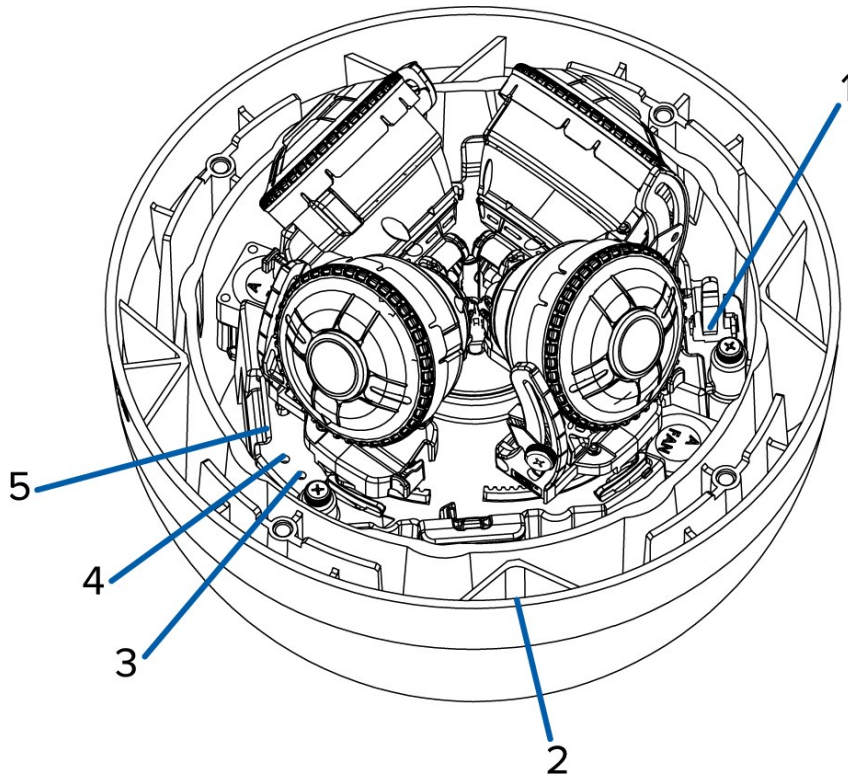
20160718

# Table of Contents

- Overview ..... 1
  - Front View ..... 1
  - Top View ..... 2
  - Pendant Mount Adapter ..... 3
- Installation ..... 4
  - Camera Package Contents ..... 4
  - Precautions for Installing Near Salt Water ..... 4
  - Installation Steps ..... 4
    - Removing the Dome Cover ..... 5
    - (Optional) Configuring Onboard Storage ..... 5
    - Installing the Mount Adapter ..... 6
    - Connecting Cables ..... 9
    - Securing the Dome Camera ..... 10
    - Assigning an IP Address ..... 12
    - Accessing the Live Video Stream ..... 12
    - Aiming the Dome Camera ..... 13
    - Installing the Dome Cover ..... 14
  - For More Information ..... 14
- Cable Connections ..... 15
  - Connecting External Power ..... 15
  - Connecting to External Devices ..... 15
- LED Indicators ..... 17
- Resetting to Factory Default Settings ..... 18
- Setting the IP Address Using the ARP/Ping Method ..... 19
- Cleaning ..... 20
  - Dome Bubble ..... 20
  - Body ..... 20
- Specifications ..... 21
- Limited Warranty and Technical Support ..... 23

# Overview

## Front View



**NOTE:** There may be three or four camera heads depending on your camera model.

1. **Configuration ethernet port**

A secondary Ethernet port for configuring the camera. Does not accept PoE.

2. **Serial number tag**

Device information, product serial number and part number label.

3. **Link LED**

Indicates if there is an active connection in the Ethernet port.

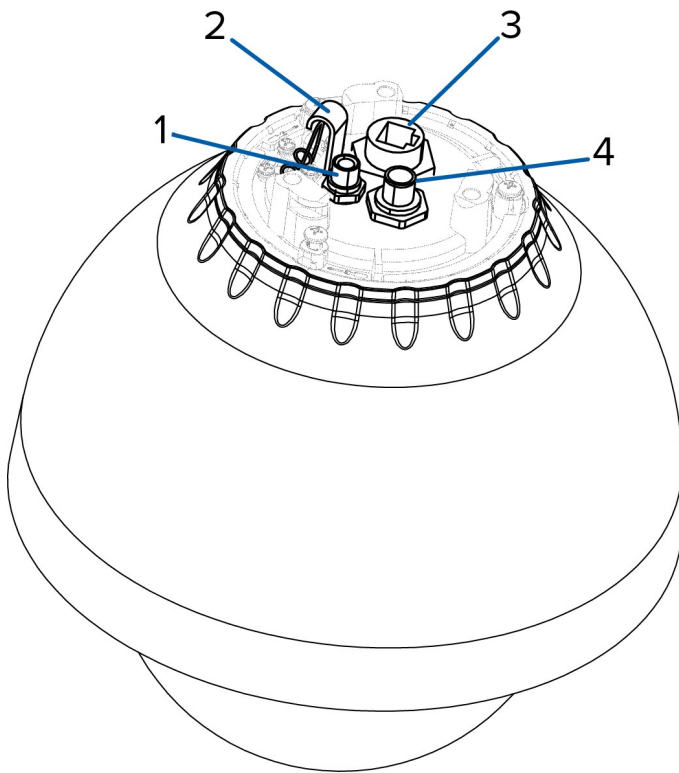
4. **Connection status LED**

Provides information about camera operation. For more information, see *LED Indicators* on page 17.

5. **SD card slot**

Accepts an SD card for onboard storage.

## Top View



1. **External power**

Accepts an external power connection when Power over Ethernet is not available.

2. **Lanyard anchor**

The safety lanyard attaches to the anchor to prevent the camera from falling during installation.

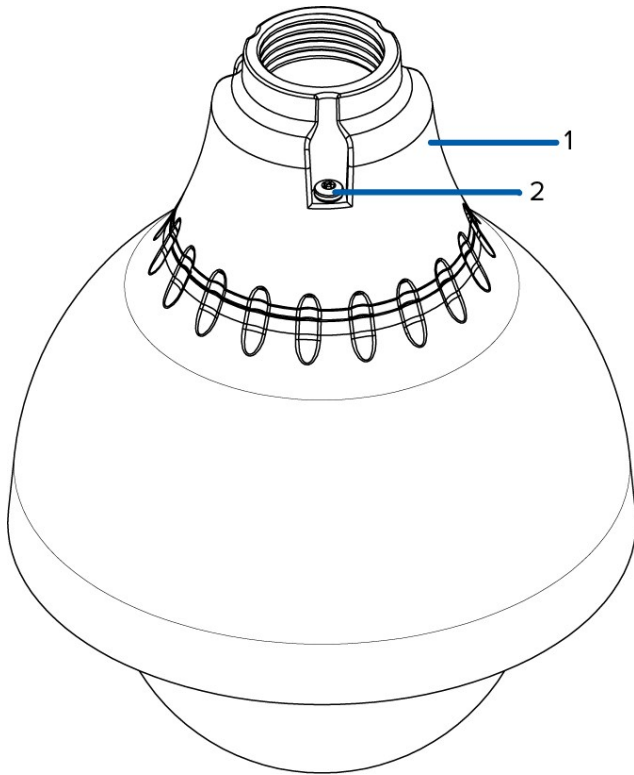
3. **Ethernet port**

Accepts an Ethernet connection to a network. Server communication and image data transmission occurs over this connection. Also receives power when it is connected to a network that provides Power over Ethernet.

4. **External I/O**

Provides connections to external input/output and audio devices.

## Pendant Mount Adapter



**1. 1-1/2" NPT mount adapter**

Standard 1-1/2" NPT adapter for mounting the dome camera to a pendant mount bracket.

**2. Tamper resistant screws**

Torx captive screws to fix the dome camera to the NPT adapter.



# Installation

## Camera Package Contents

Ensure the package contains the following:

- Avigilon™ HD Multisensor Dome Camera
- H3-MH-NPTA1 kit:
  - 1 ½” NPT locking nut
  - 1 ½” NPT Adapter
- CAM-ACCS-H3PTZ kit:
  - 1 ½” NPT Adapter
  - T20 Torx key
  - Teflon Sealing Tape
  - RJ-45 crimp-on plug and weather-resistant housing
  - External Power wiring harness
  - External I/O wiring harness

## Precautions for Installing Near Salt Water

Salt environments are hard on camera paint and external appearances but the camera's functionality will not be affected if the cameras are installed as described in this guide.

Follow these precautions to avoid camera issues when installing in a salt heavy environment:

- Use mounting accessories offered by Avigilon. All Avigilon accessories are tested to work with Avigilon cameras in the rated environments.
- If you use a third-party accessory, you *must* ensure that the material is compatible with the finish of the camera housing or galvanic corrosion may occur.
- Never pair steel mounting accessories with aluminum camera enclosures. Steel corrodes aluminum when salt is introduced. The corrosion is an electrochemical reaction and will cause the corrosion to spread across the entire camera body.
- Always insulate any camera surface that is in contact with another metal or conductive material. It is recommended that you always isolate the mounting screws from the mounting surface and camera housing with rubber or plastic shoulder washers.

## Installation Steps

Complete the following steps to install the camera:

---

<i>Removing the Dome Cover</i> .....	5
--------------------------------------	---

---

<i>(Optional) Configuring Onboard Storage</i> .....	5
<i>Installing the Mount Adapter</i> .....	6
<i>Connecting Cables</i> .....	9
<i>Securing the Dome Camera</i> .....	10
<i>Assigning an IP Address</i> .....	12
<i>Accessing the Live Video Stream</i> .....	12
<i>Aiming the Dome Camera</i> .....	13
<i>Installing the Dome Cover</i> .....	14

## Removing the Dome Cover

Remove the dome cover by loosening the screws that fix the cover to the base. The Torx key included with the dome camera can be used to loosen the screws.

**NOTE:** Be careful not to scratch or touch the dome bubble. The resulting marks or fingerprints may affect the overall image quality. Keep the protective covers on the bubble until after the installation is complete.

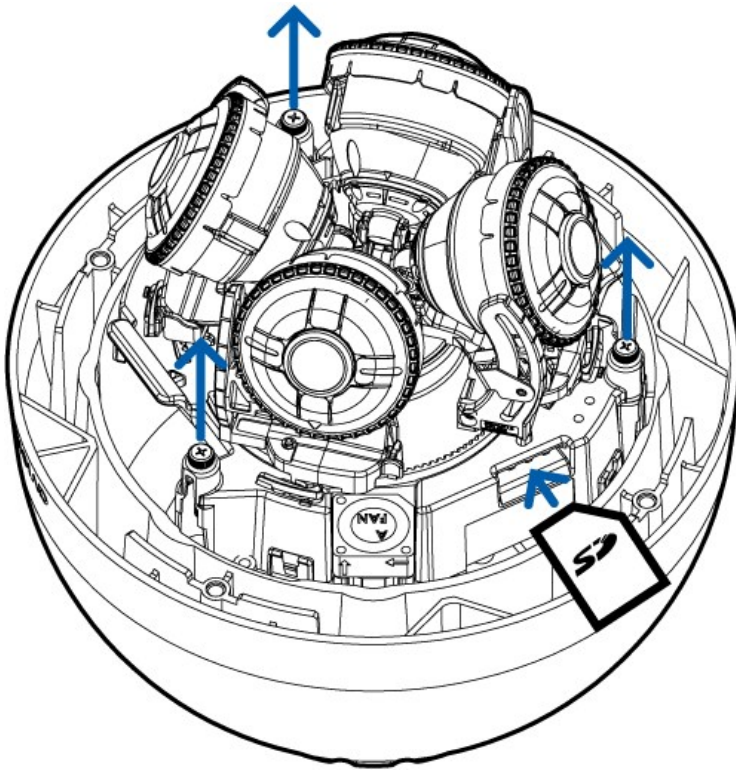
## (Optional) Configuring Onboard Storage

To use the camera's onboard storage feature, you must insert an SD card into the SD card slot.

It is recommended that the SD card have a capacity of 8GB or more, and a write speed of class 6 or better. If the SD card does not meet the recommended capacity or write speed, the performance of the onboard storage may suffer and result in the loss of frames or footage.



1. Loosen the screws that secure the camera module to the base.
2. Lift the camera module out of the base until the SD card slot is exposed. The camera module will only lift up about 2cm or about 1" off the base because it is anchored behind the camera module. Do not pull too hard.



3. Insert an SD card into the camera.



**CAUTION** — Do not force the SD card into the camera or you may damage the card and the camera. The SD card can only be inserted in the orientation shown on the camera.

4. Push the camera module back into the base and tighten the screws
5. Access the camera's web interface to enable the onboard storage feature. For more information, see the *Avigilon High Definition H.264 Camera Web Interface User Guide*.

## Installing the Mount Adapter



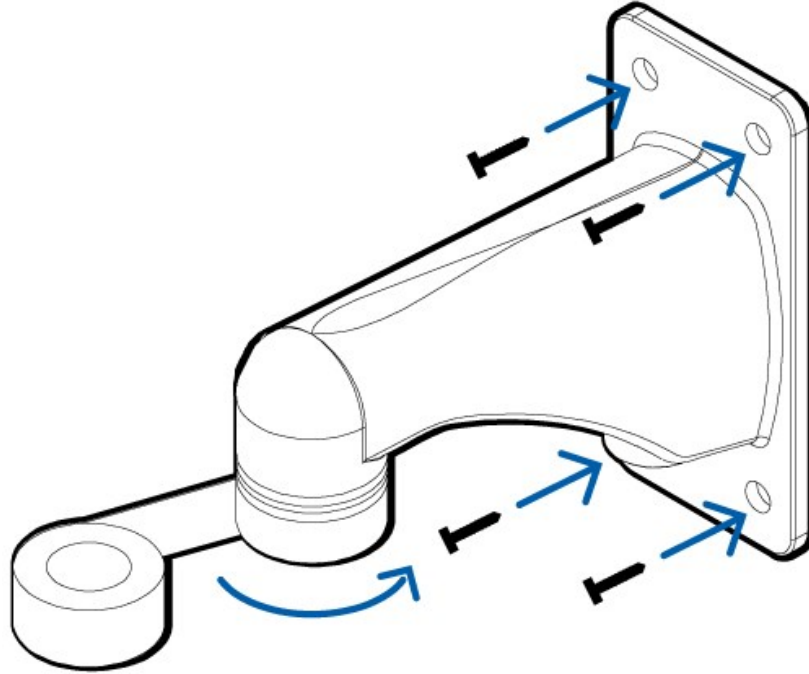
**CAUTION** — The dome camera must be mounted as instructed below or problems with moisture may arise and will not be covered by the dome camera warranty.

The dome camera must be mounted on a 1-1/2" NPT male threaded wall or ceiling mounting bracket. The mounting bracket is not included in the camera package.

1. Wrap the thread of the mounting bracket with the supplied Teflon sealing tape to create a water tight seal around the camera connection. There should be three to five turns around the entire threaded surface.

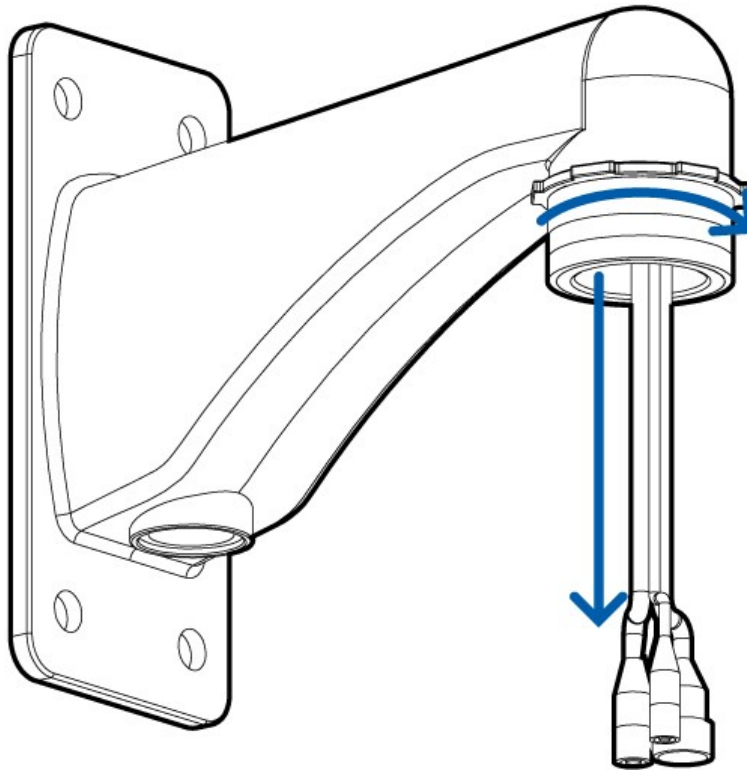
When applying the Teflon sealing tape, be sure to wrap in the same direction that the mount will be tightened. This will ensure the tape does not unravel when installing the mating parts together.

**Tip:** Always apply Teflon tape to threaded mounts to help prevent the threads from binding.



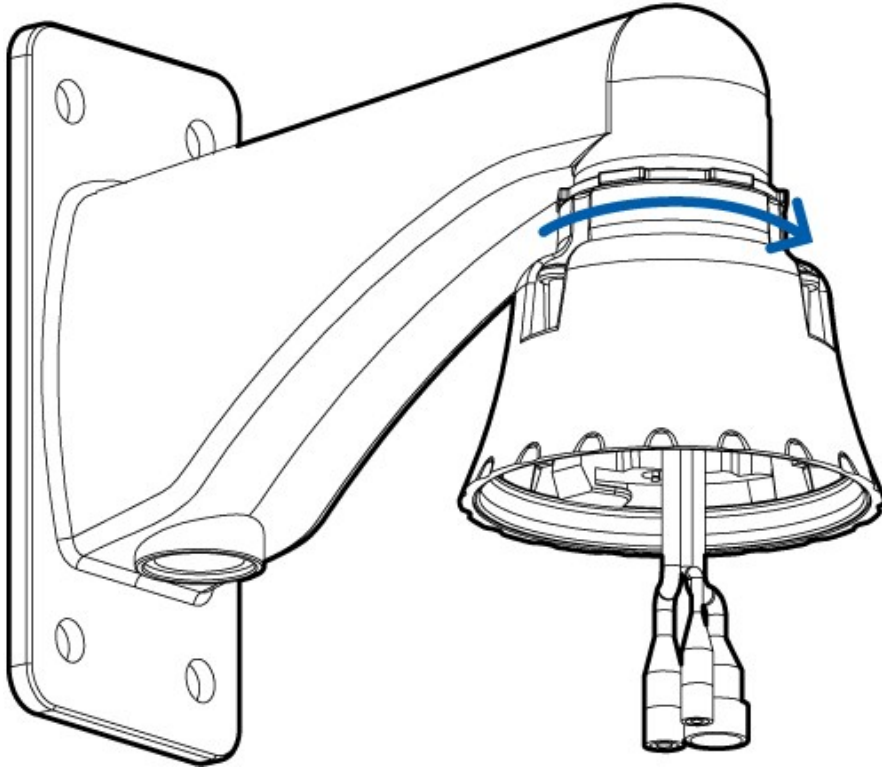
**3 - 5x**

2. Pull the required cables through the mounting bracket then thread the 1 1/2" NPT locking nut onto the mounting adapter.

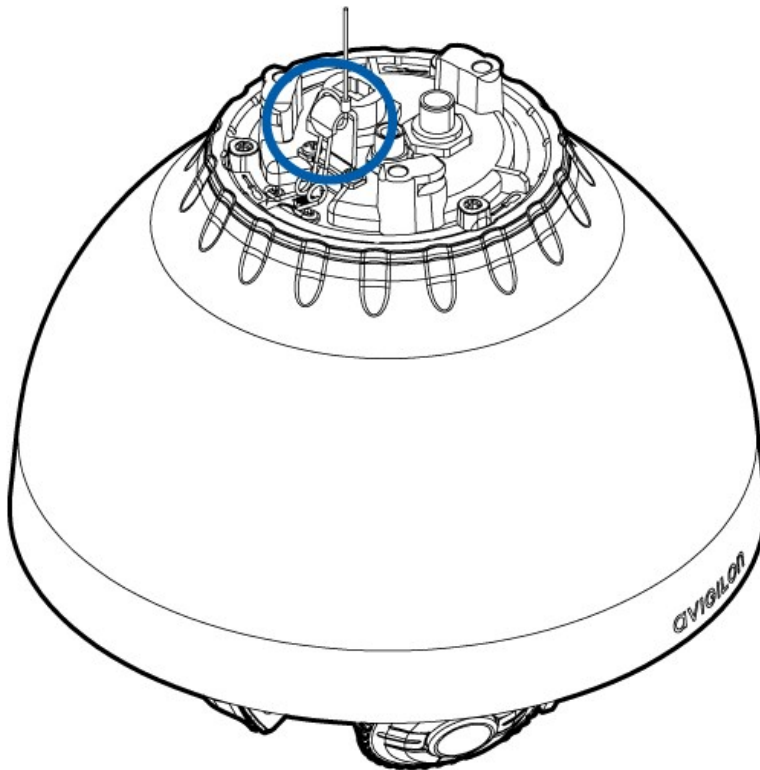


3. Install the supplied connectors and wire assemblies to the cables.

4. Install the 1/2" NPT mount adapter below the locking nut.



5. Connect the safety lanyard from inside the NPT mount adapter to the anchor on the dome camera.



## Connecting Cables

Refer to the diagrams in the Overview section for the location of the different connectors.

To connect the cables required for proper operation, complete the following:

1. Make sure the safety lanyard is connected to the dome camera.
2. If there are external input or output devices that need to be connected to the camera (for example: door contacts, relays, speakers, etc), connect the devices to the camera I/O connector cable.
3. Connect power using one of the following methods:
  - Power over Ethernet (PoE) Class 3 or PoE Plus Class 4 — Connect a PoE compliant injector or switch to the Ethernet network cable.
  - External Power — Connect an external “Class 2” or “LPS” or “Limited Power Source” with output rated 24 VAC +/- 10%, 37 VA minimum or 24 VDC +/- 10%, 26 W minimum.

For more information, see *Connecting External Power* on page 15.

**Tip:** When installing in cold environments, use PoE Plus Class 4 or external power to defrost or defog the dome bubble more quickly.

4. Connect a network cable to the Ethernet Port (RJ-45 connector).

The Link LED will turn on once a network link has been established.

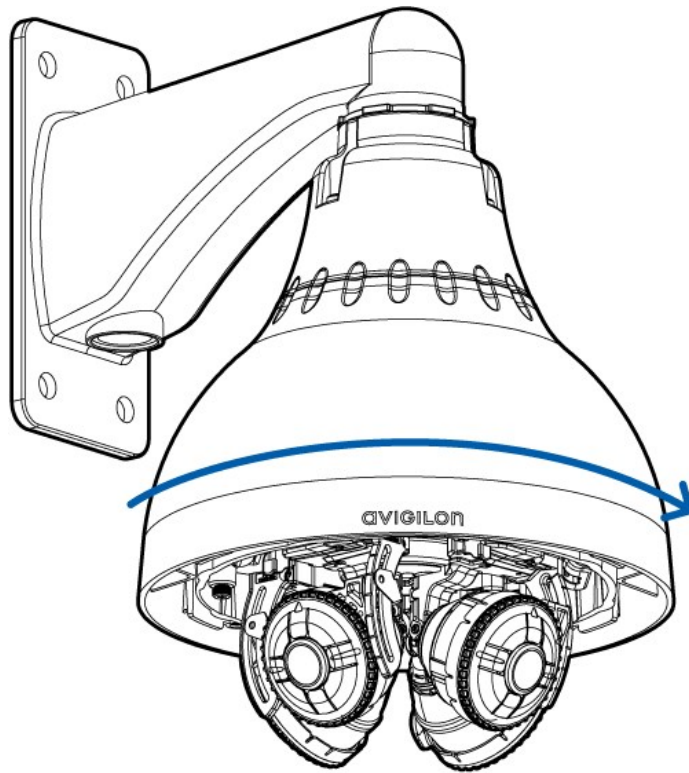
5. Check that the Connection Status LED indicates the correct state. For more information, see *LED Indicators* on page 17.

## Securing the Dome Camera

After the cable connections have been made, secure the dome camera to the mount.

1. Push the dome camera into the 1 1/2" NPT mount adapter then twist until it locks into place.

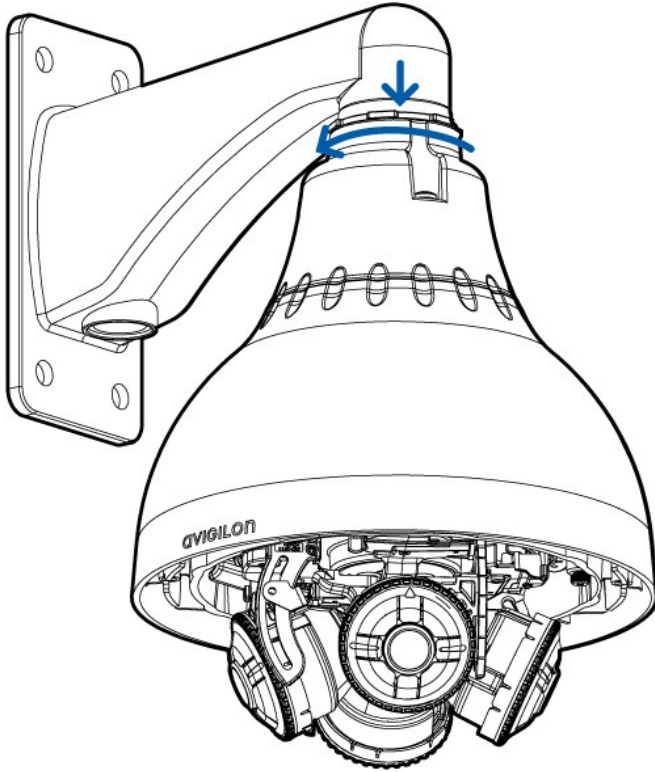
**NOTE:** Be careful not to trap any cables between the dome camera housing and the mount adapter.



2. Use the Torx key included with the dome camera to tighten the three screws in the mount adapter.



3. Turn the dome camera and mount adapter until the camera heads are facing the right directions.



4. Use the locking nut to lock the dome camera in to place.

## Assigning an IP Address

The camera automatically obtains an IP address when it is connected to a network.

**NOTE:** If the camera cannot obtain an IP address from a DHCP server, it will use Zero Configuration Networking (Zeroconf) to choose an IP address. When set using Zeroconf, the IP address is in the 169.254.0.0/16 subnet.

The IP address settings can be changed using one of the following methods:

- Camera's web browser interface: `http://<camera IP address>/`
- Network video management software application (for example, Avigilon Control Center™).
- ARP/Ping method. For more information, see *Setting the IP Address Using the ARP/Ping Method* on page 19.

**NOTE:** The default camera username is `admin` and the default password is `admin`.

## Accessing the Live Video Stream

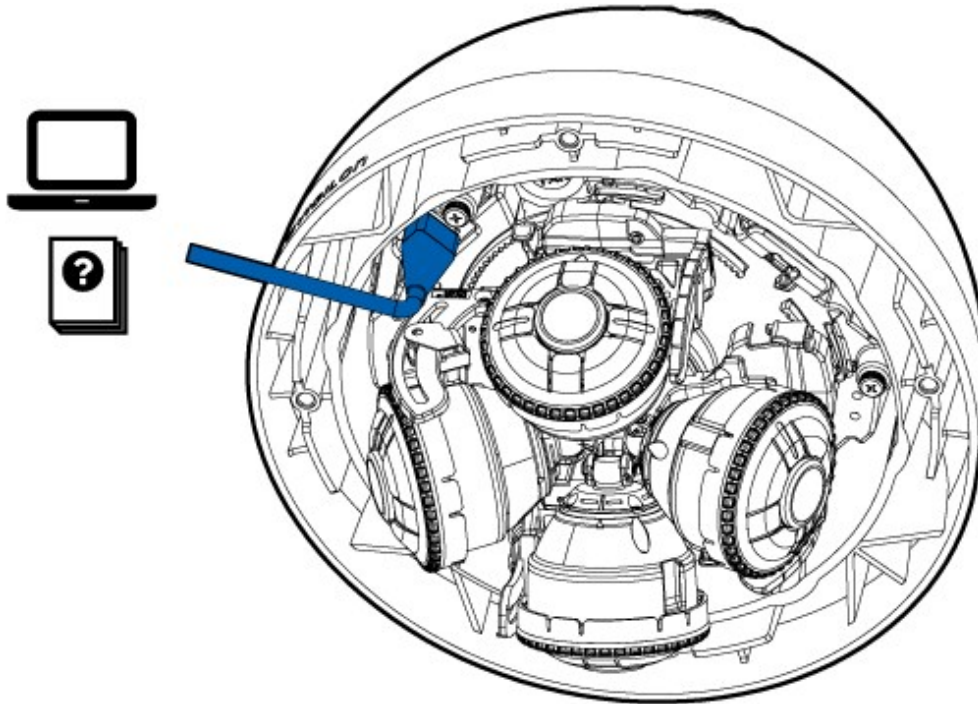
Live video stream can be viewed using one of the following methods:

- Web browser interface: `http://<IP address>/`
- Network video management software application (for example, the Avigilon Control Center software).

**NOTE:** The default camera username is `admin` and the default camera password is `admin`.

## Aiming the Dome Camera

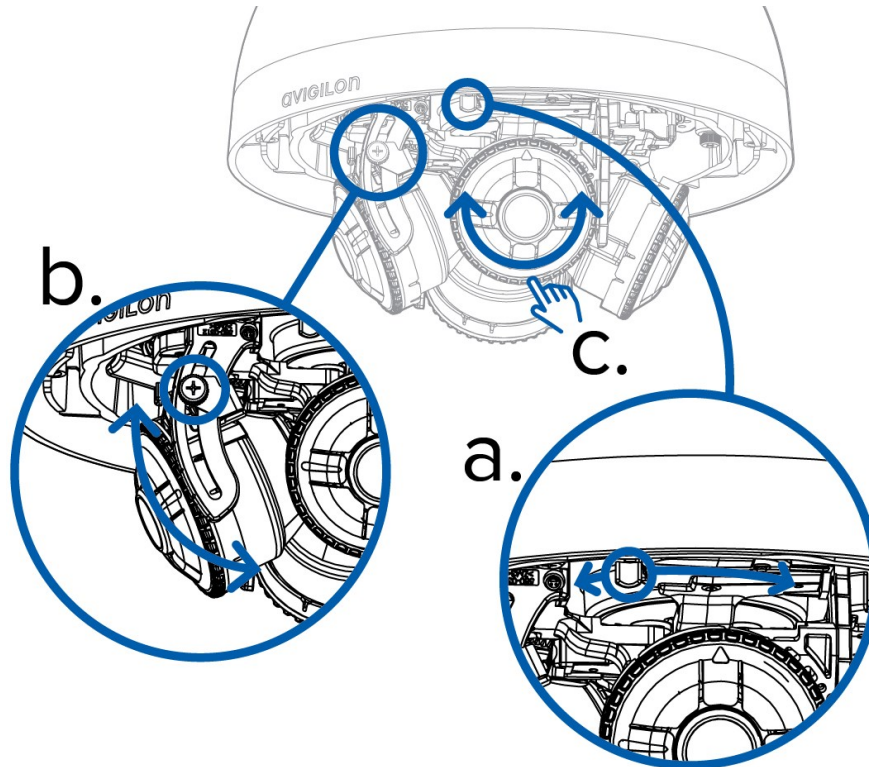
1. (Optional) To help you aim the dome camera, you can connect an Ethernet cable to the Configuration Ethernet Port.



Be aware that while the Configuration Ethernet Port is in use, the primary Ethernet port will only be used for PoE.

**Important:** While the Configuration Ethernet Port is in use, the camera will only stream video and accept commands from the Configuration Ethernet Port. Also, the Indicator LEDs will only show the connection status for this Ethernet port.

2. To aim the camera, adjust each of the available camera heads as required:



- a. Press the rail release tab to move the camera head side to side.
  - b. Loosen the tilt lock screws to tilt each camera head up and down. Lock the screws when the camera is tilted in the correct angle.
  - c. Rotate the azimuth control ring to set the image in the correct rotation.
3. In the camera web browser interface, adjust the camera's Image and Display settings to achieve the desired zoom position.

## Installing the Dome Cover

1. Attach the dome cover to the base by tightening the screws with the provided Torx key.
2. Remove the plastic cover on the dome bubble.

## For More Information

Additional information about setting up and using the device is available in the following guides:

- *Avigilon Control Center™ Client User Guide*
- *Avigilon™ High Definition H.264 Web Interface User Guide*
- *Avigilon™ Camera Configuration Tool User Guide*
- *Avigilon™ USB Wifi Adapter System User Guide*

The manuals are available on the Avigilon website: <http://www.avigilon.com/support-and-downloads>

# Cable Connections

## Connecting External Power

**NOTE:** Do not perform this procedure if Power over Ethernet (POE) is used.

If PoE is not available, the dome camera can be powered with 24 V AC or 24 V DC through the removable power connector:

1. Remove as much insulation as required to splice the supplied power connector to the power adapter wires (not included).

Do not nick or damage the wires.

2. Remove the dummy plug from the power receptacle on the camera. See *Top View* on page 2 for the location of the external power receptacle.
3. Attach the power connector to the receptacle on the camera.

The power connector pin details are:

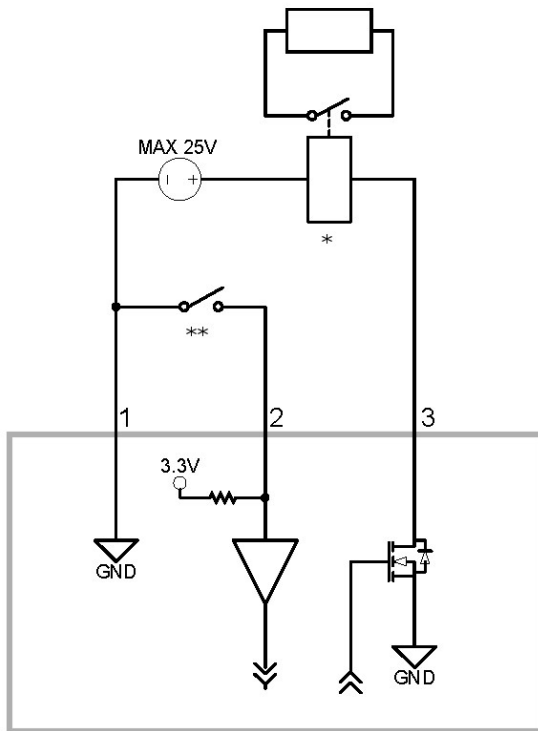
1. Brown — Power, accepts either polarity
2. Not used
3. Blue — Power, accepts either polarity



**WARNING** — This product is intended to be supplied by a UL Listed Power Unit marked “Class 2” or “LPS” or “Limited Power Source” with output rated 24 V AC +/- 10%, 37 VA min. or 24 V DC +/- 10%, 26 W min.

## Connecting to External Devices

External devices, including audio and video devices, are connected to the camera through the I/O cable. The pinout for the I/O connector is shown here:



**Figure 1:** Example application.

1. Grey — Relay ground return
  2. Red — Relay input: To activate, connect the Input to the Ground pin. To deactivate, leave disconnected or apply between 3-15 V.
  3. Pink — Relay output: When active, Output is internally connected with the Ground pin. Circuit is open when inactive. Maximum load is 25 VDC, 120 mA.
- \* — Relay
  - \*\* — Switch
  - White — Analog audio ground return
  - Brown — Analog audio input
  - Green — Analog audio output
  - Not connected:
    - Yellow
    - Black
    - Purple
    - Orange
    - Blue
    - Dark Red

The camera can be connected to an external microphone and speaker through the I/O connector. The camera only supports line level mono audio input.

# LED Indicators

Once connected to the network, the Connection Status LED will display the progress in connecting to the Network Video Management software.

The following table describes what the LEDs indicate:

<b>Connection State</b>	<b>Connection Status LED</b>	<b>Description</b>
Obtaining IP Address	One short flash every second	Attempting to obtain an IP address.
Discoverable	Two short flashes every second	Obtained an IP address but is not connected to the Network Video Management software.
Upgrading Firmware	Two short flashes and one long flash every second	Updating the firmware.
Connected	On	Connected to the Network Video Management software or an ACC Server.

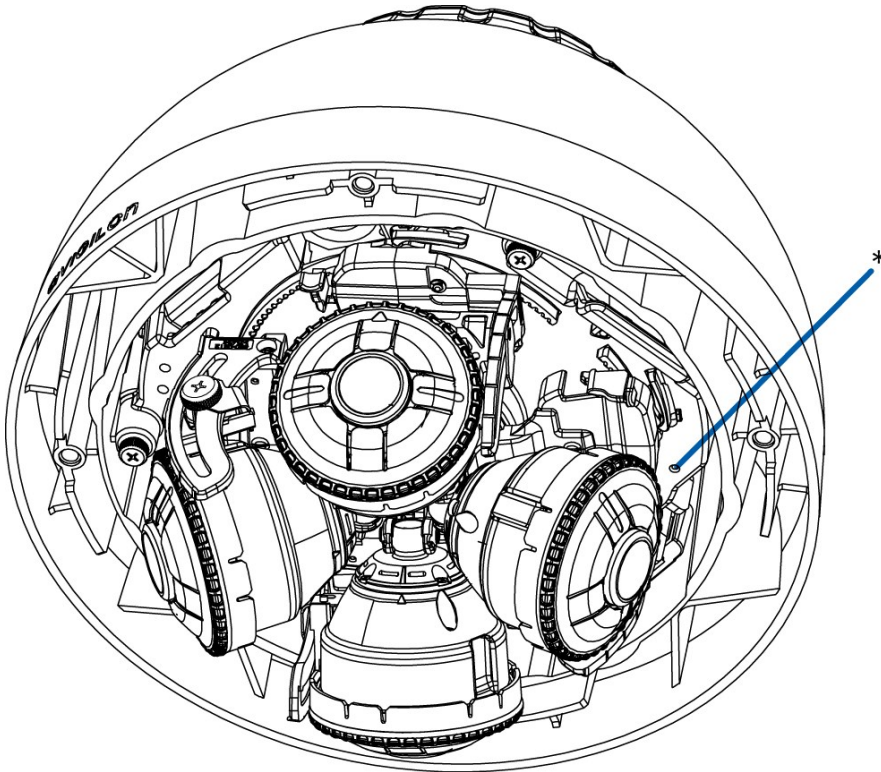


# Resetting to Factory Default Settings

If the camera no longer functions as expected, you can choose to reset the camera to its factory default settings.

Use the firmware revert button to reset the camera. The firmware revert button is shown in the following diagram:

**NOTE:** Be careful not to scratch the dome bubble.



**Figure 2:** The firmware revert button.

1. Ensure the camera is powered on.
2. Remove the dome cover by loosening the screws that fix the cover to the base. The Torx key included with the dome camera can be used to loosen the screws
3. Using a straightened paperclip or similar tool, gently press and hold the firmware revert button for two seconds.
4. Re-install the dome cover.



**CAUTION** — Do not apply excessive force. Inserting the tool too far will damage the camera.

# Setting the IP Address Using the ARP/Ping Method

Complete the following steps to configure the camera to use a specific IP address:

1. Locate and copy down the MAC Address (MAC) listed on the Serial Number Tag for reference.
2. Open a Command Prompt window and enter the following commands:
  - a. `arp -s <New Camera IP Address> <Camera MAC Address>`  
For example: `arp -s 192.168.1.10 00-18-85-12-45-78`
  - b. `ping -l 123 -t <New Camera IP Address>`  
For example: `ping -l 123 -t 192.168.1.10`
3. Reboot the camera.
4. Close the Command prompt window when you see the following message:  
`Reply from <New Camera IP Address>: ...`





# Cleaning

## Dome Bubble

If the video image becomes blurry or smudged in areas, it may be because the dome bubble requires cleaning.

To clean the dome bubble:

- Use hand soap or a non-abrasive detergent to wash off dirt or finger prints
- Use a microfiber cloth or non-abrasive fabric to dry the dome bubble.

**Important:** Failure to use the recommended cleaning materials may result in a damaged or scratched dome bubble. A damaged dome bubble may negatively impact image quality and cause unwanted IR light reflecting into the lens.

## Body

- Use a dry or lightly dampened cloth to clean the camera body.  
Do not use strong or abrasive detergents.

# Specifications

## Camera

Lens	12W-H3-4MH-DP1 – 4 x 3MP 2.8-8 mm, F1.3, P-iris 9W-H3-3MH-DP1 – 3 x 3MP 2.8-8 mm, F1.3, P-iris
Audio Input/Output	Line level input and output
Onboard Storage	SD/SDHC/SDXC slot – minimum class 4; class 6 or better recommended

## Network

Network	100Base-TX
Cabling Type	CAT5
Connector	RJ-45
ONVIF	ONVIF compliance version 1.02, 2.00, Profile S ( <a href="http://www.onvif.org">www.onvif.org</a> )
Security	Password protection, HTTPS encryption, digest authentication, WS authentication, user access log
Streaming Protocols	IPv4, HTTP, HTTPS, SOAP, DNS, NTP, RTSP, RTCP, RTP, TCP, UDP, IGMP, ICMP, DHCP, Zeroconf, ARP, LLDP, RTP/UDP, RTP/UDP multicast, RTP/RTSP/TCP, RTP/RTSP/HTTP/TCP, RTP/RTSP/HTTPS/TCP, HTTP

## Mechanical

Dimensions Ø x H	226 mm x 299.77 mm (8.9" x 11.8")
Weight	3.9 kg (8.6 lbs)
Dome Bubble	Polycarbonate, clear
Body	Aluminum
Housing	Pendant mount
Finish	Powder coat, cool gray 2
Tilt	+10° to +67° (depending on position of each camera head)
Pan	+/-12° to +/-30° (depending on position of each camera head)
Azimuth	+/- 180°

## Electrical

Power Consumption	26 W with external power or IEEE 802.3at Type 2 PoE Plus 13 W with IEEE 802.3af Class 3 power
Power Source	VDC: 24 V +/- 10%, 26 W MIN. VAC: 24 V +/- 10%, 37 VA MIN. PoE: IEEE 802.3af Class 3 or IEEE 802.3at Type 2
Power Connector	Waterproof 2-pin connector
RTC Backup Battery	3V Manganese Lithium

**Environmental**

Operating Temperature	-40 °C to +50 °C (-22 °F to 122 °F) with external power or IEEE 802.3at Type 2 PoE Plus -20 °C to +50 °C (-4 °F to 122 °F) with IEEE 802.3af Class 3 PoE power
Storage Temperature	-10 °C to +70 °C (14 °F to 158 °F)
Humidity	0-95% non-condensing

**Certifications**

Certifications	UL cUL CE ROHS WEEE RCM EAC
Safety	UL 60950-1 CSA 60950-1 IEC/EN 60950-1
Environmental	IK10 Impact Rating Meets IP66 Weather Rating
Electromagnetic Emissions	FCC Part 15 Subpart B Class B IC ICES-003 Class B EN 55022 Class B EN 61000-6-3 EN 61000-3-2 EN 61000-3-3
Electromagnetic Immunity	EN 55024 EN 61000-6-1

# Limited Warranty and Technical Support

Avigilon warrants to the original consumer purchaser that this product will be free of defects in material and workmanship for a period of 3 years from date of purchase.

The manufacturer's liability hereunder is limited to replacement of the product, repair of the product or replacement of the product with repaired product at the discretion of the manufacturer. This warranty is void if the product has been damaged by accident, unreasonable use, neglect, tampering or other causes not arising from defects in material or workmanship. This warranty extends to the original consumer purchaser of the product only.

AVIGILON DISCLAIMS ALL OTHER WARRANTIES EXPRESSED OR IMPLIED INCLUDING, WITHOUT LIMITATION, ANY IMPLIED WARRANTIES OF MERCHANTABILITY OR FITNESS FOR A PARTICULAR PURPOSE, EXCEPT TO THE EXTENT THAT ANY WARRANTIES IMPLIED BY LAW CANNOT BE VALIDLY WAIVED.

No oral or written information, advice or representation provided by Avigilon, its distributors, dealers, agents or employees shall create another warranty or modify this warranty. This warranty states Avigilon's entire liability and your exclusive remedy against Avigilon for any failure of this product to operate properly.

In no event shall Avigilon be liable for any indirect, incidental, special, consequential, exemplary, or punitive damages whatsoever (including but not limited to, damages for loss of profits or confidential or other information, for business interruption, for personal injury, for loss of privacy, for failure to meet any duty including of good faith or of reasonable care, for negligence, and for any other pecuniary or other loss whatsoever) arising from the use of or inability to use the product, even if advised of the possibility of such damages. Since some jurisdictions do not allow the above limitation of liability, such limitation may not apply to you.

This Limited Warranty gives you specific legal rights and you may also have other rights which vary from jurisdiction to jurisdiction.

**Warranty service and technical support can be obtained by contacting Avigilon Technical Support by phone at 1.888.281.5182 or via email at [support@avigilon.com](mailto:support@avigilon.com).**

