



M26 – Professional Allround Camera

- **High-Performance Dome Camera For Indoor And Outdoor Use**
Applicable as day or night system with detailed 6MP color or B/W Sensor
- **Wide Lens Variety From 180° Fisheye To 8° Super Tele**
The right lens and sensor combination for each application
- **Powerful, Intelligent And Flexible Mx6 System Platform**
Simultaneous streaming of up to three video codecs (MxPEG, MJPEG And H.264)
- **Intelligent 3D Motion Detection And Video Analysis**
MxActivitySensor and MxAnalytics integrated as standard
- **Reduced Energy Costs**
Power consumption < 5 W, standard PoE
- **Virtually Maintenance-Free (IP66)**
Weatherproof, operates reliably from -30 to 50°C

Technical Specifications

MOBOTIX M26 Allround



Camera Variants	M26 Body Day Or Night Lens For Self-Assembly	M26 Day Complete Camera	M26 Night Complete Camera
Specialties	D26 Body with 6MP Day or Night sensor Mx-M26A-6D oder Mx-M26A-6N; all lenses (except MX-B016) available separately for self-assembly	Factory-assembled M26 Day or Night cameras with sharply focused lens (only fisheye lens variants available in the Americas)	
Lenses	M26 Body Day Or Night Lens For Self-Assembly	M26 Day Complete Camera	M26 Night Complete Camera
Fisheye-Objektiv MX-B016 (f/2.0, 180° x 180°)	Not for M26 Body	Mx-M26A-6D016	Mx-M26A-6N016
Ultraweitwinkel-Objektiv MX-B036 (f/1.8, 103° x 77°)	Lens selection for M26 Body Day/Night Body Day: Mx- M26A-6D Body Night: Mx-M26A-6N	Mx-M26A-6D036	Mx-M26A-6N036
Superweitwinkel-Objektiv MX-B041 (f/1.8, 90° x 67°)		Mx-M26A-6D041	Mx-M26A-6N041
Weitwinkel-Objektiv MX-B061 (f/1.8, 60° x 45°)		Mx-M26A-6D061	Mx-M26A-6N061
Standard-Objektiv MX-B079 (f/1.8, 45° x 34°)		Mx-M26A-6D079	Mx-M26A-6N079
Teleobjektiv MX-B119 (f/1.8, 31° x 23°)		Mx-M26A-6D119	Mx-M26A-6N119
Distanz-Teleobjektiv MX-B237 (f/1.8, 15° x 11°)		Mx-M26A-6D237	Mx-M26A-6N237
Super-Teleobjektiv MX-B500 (f/2.5, 8° x 6°)		Mx-M26A-6D500	Mx-M26A-6N500
Hardware		M26 Body Day Or Night Lens For Self-Assembly	M26 Day Complete Camera
Image sensor with individual exposure zones	Color or Black & White (B/W)	Color	B/W
Light sensitivity in lux at 1/60 s and 1/1 s	0.1/0.005 (Color) 0.02/0.001 (B/W)	0.1/0.005 (Color)	0.02/0.001 (B/W)
Image sensor (color or B/W sensor)	1/1.8" CMOS, 6MP (3072 x 2048), Progressive Scan		
Microprocessor	i.MX 6 Dual Core incl. GPU (1 GB RAM, 512 MB Flash)		
H.264 Hardware Codec	Yes, bandwidth limitation available; output image format up to QXGA		
Protection classes	P66 and IK10		
Intended use	Not for use in hazardous areas (Ex area)		
Ambient temperature (range, incl. storage)	-30 to 50°C/-22 to 122°F		
Internal DVR, ex works	4 GB (microSD)		
Microphone/speaker	Yes/Yes		
16bit/16kHz HD wideband audio (Opus codec)	Yes (live and audio messages)		
Passive infrared sensor (PIR)	No		
Temperature sensor	Yes		
Shock detector (tamper detection)	Yes (with future software update)		
Power consumption (typical)	< 5 watts		
PoE Class (IEEE 802.3af)	Class 2 or 3 (variable), factory setting: class 3		
Interfaces Ethernet 100BaseT/MxBus/USB	Yes (MxRJ45)/No/Yes		
Interface RS232	With accessory (MX-232-IO-Box)		
Mounting options	Wall, ceiling or pole (pole mount: MOBOTIX accessory)		
Dimensions (Height x Width x Depth)	189 x 140 x 220 mm		
Weight	350 g		
Housing	Fixed Network, PBT-30GF, color: white		
Standard accessory	Screws, dowels, allen wrenches, VarioFlex wall and ceiling mount, rubber sealing 0,5 m Ethernet patch cable, Quick Install		

Technical Specifications

MOBOTIX M26 Allround



Hardware	M26 Body Day Or Night Lens For Self-Assembly	M26 Day Complete Camera	M26 Night Complete Camera
Detailed technical documentation	www.mobotix.com > Support > Manuals		
Online version of this document	www.mobotix.com > Support > Spec Sheets		
MTBF	> 80,000 hours		
Certifications	EN55032:2012 EN55022:2010; EN55024:2010; EN50121-4:2015 EN61000-6-1:2007; EN 61000-6-2:2005 EN61000-6-3:2007+A1:2011 EN61000-6-4:2007+A1:2011 AS/ NZS CISPR22:2009+A1:2010 CFR47 FCC part15B		
Protocols	IPv4, IPv6, HTTP, HTTPS, FTP, SFTP, RTP, RTSP, UDP, SNMP, SMTP, DHCP (client and server), NTP (client and server), SIP (client and server) G.711 (PCMA and PCMU) and G.722		

Image Formats, Frame Rates, Image Storage	M26 Body Day Or Night Lens For Self-Assembly	M26 Day Complete Camera	M26 Night Complete Camera
Available video codecs	MxPEG/MJPEG/H.264		
Image formats	Freely configurable format 4:3, 8:3, 16:9 or customized format (Image Cropping), such as 2592x1944 (5MP), 2048x1536 (QXGA), 1920x1080 (Full-HD), 1280x960 (MEGA)		
Multistreaming	Yes		
Multicast stream via RTSP	Yes		
Max. image format	6MP (3072 x 2048)		
Max. frame rate (fps, only single core used)	MxPEG: 42@HD(1280x720), 34@Full-HD, 24@QXGA, 15@5MP, 12@6MP MJPEG: 26@HD(1280x720), 13@Full-HD, 9@QXGA, 5@5MP, 4@6MP H.264: 25@Full-HD, 20@QXGA		
Number of images with 4 GB microSD (internal DVR)	CIF: 250,000, VGA: 125,000, HD: 40,000, QXGA: 20,000, 6MP: 10,000		



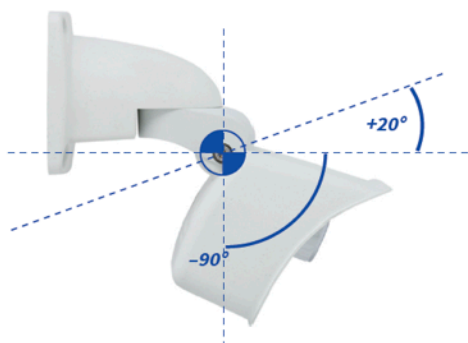
General Functions	M26 Body Day Or Night Lens For Self-Assembly	M26 Day Complete Camera	M26 Night Complete Camera
Digital zoom and pan		Yes	
ONVIF compatibility	Yes, complete ONVIF Profile S supported by future software update		
Genetec protocol integration		Yes	
Programmable exposure zones		Yes	
Snapshot recording (pre/post-alarm images)		Yes	
Continuous recording with audio		Yes	
Event recording with audio		Yes	
Time controlled flexible event logic		Yes	

Technical Specifications

MOBOTIX M26 Allround

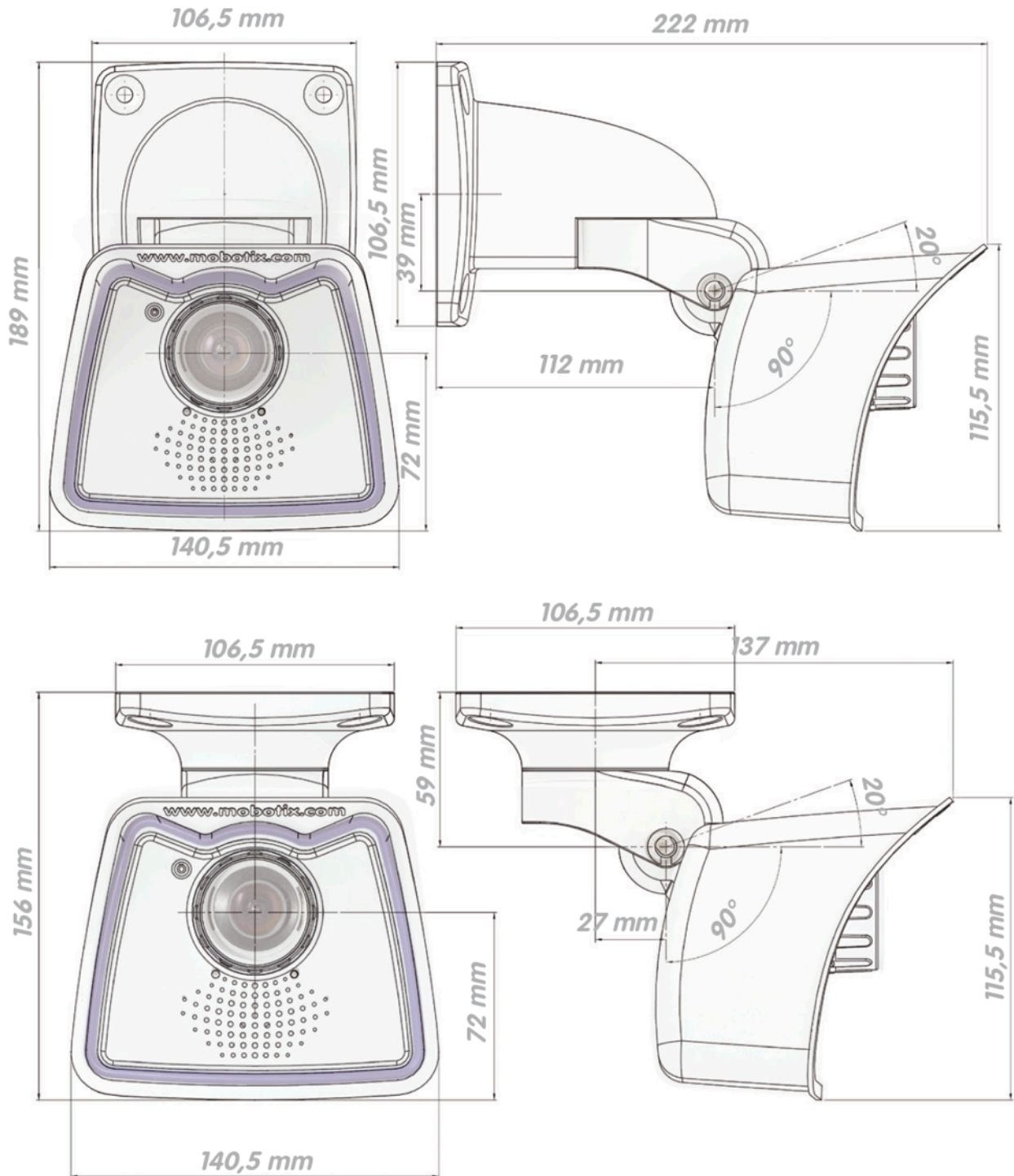


General Functions	M26 Body Day Or Night Lens For Self-Assembly	M26 Day Complete Camera	M26 Night Complete Camera
Weekly schedules for recordings and actions		Yes	
Event video and image transfer via FTP and email		Yes	
Playback and QuadView via web browser		Yes	
Bidirectional audio in browser		Yes	
Animated logos on the image		Yes	
Master/Slave functionality		Yes	
Privacy zone scheduling		Yes	
Customized voice messages		Yes	
VoIP telephony (audio/video, alert)		Yes	
Remote alarm notification (network message)		Yes	
Programming interface (HTTP-API)		Yes	
DVR	Inside camera via microSD card, externally via USB device and NAS, different streams for live image and recording, MxFFS with archive function, pre-alarm an post-alarm images, monitoring recording with failure reporting		
Camera and data security	User and group management, SSL connections, IP-based access control, IEEE802.1x, intrusion detection, digital image signature		
MxMessageSystem: Sending and receiving of MxMessages		Yes	
Video Analysis	M26 Body Day Or Night Lens For Self-Assembly	M26 Day Complete Camera	M26 Night Complete Camera
Video-Bewegungssensor		Yes	
MxActivitySensor		Yes	
MxAalytics	Yes (Heatmaps, counting corridors)		
Video Management Software	M26 Body Day Or Night Lens For Self-Assembly	M26 Day Complete Camera	M26 Night Complete Camera
MxManagementCenter		Yes	
Mobile MOBOTIX App		Yes	



Technical Specifications

MOBOTIX M26 Allround



Dimensions in mm